

LE940B6 HW User Guide

Rev.2.2 – 2020-01-10

Provided to Dekra under NDA
Distribution is Prohibited except for
Dekra employees with a Need to know

SPECIFICATIONS ARE SUBJECT TO CHANGE WITHOUT NOTICE

NOTICE

While reasonable efforts have been made to assure the accuracy of this document, Titan assumes no liability resulting from any inaccuracies or omissions in this document, or from use of the information obtained herein. The information in this document has been carefully checked and is believed to be reliable. However, no responsibility is assumed for inaccuracies or omissions. Titan reserves the right to make changes to any products described herein and reserves the right to revise this document and to make changes from time to time in content hereof with no obligation to notify any person of revisions or changes. Titan does not assume any liability arising out of the application or use of any product, software, or circuit described herein; neither does it convey license under its patent rights or the rights of others.

It is possible that this publication may contain references to, or information about Titan products (machines and programs), programming, or services that are not announced in your country. Such references or information must not be construed to mean that Titan intends to announce such Titan products, programming, or services in your country.

COPYRIGHTS

This instruction manual and the Titan products described in this instruction manual may be, include or describe copyrighted Titan material, such as computer programs stored in semiconductor memories or other media. Laws in the Italy and other countries preserve for Titan and its licensors certain exclusive rights for copyrighted material, including the exclusive right to copy, reproduce in any form, distribute and make derivative works of the copyrighted material. Accordingly, any copyrighted material of Titan and its licensors contained herein or in the Titan products described in this instruction manual may not be copied, reproduced, distributed, merged or modified in any manner without the express written permission of Titan. Furthermore, the purchase of Titan products shall not be deemed to grant either directly or by implication, estoppel, or otherwise, any license under the copyrights, patents or patent applications of Titan, as arises by operation of law in the sale of a product.

COMPUTER SOFTWARE COPYRIGHTS

The Titan and 3rd Party supplied Software (SW) products described in this instruction manual may include copyrighted Titan and other 3rd Party supplied computer programs stored in semiconductor memories or other media. Laws in the Italy and other countries preserve for Titan and other 3rd Party supplied SW certain exclusive rights for copyrighted computer programs, including the exclusive right to copy or reproduce in any form the copyrighted computer program. Accordingly, any copyrighted Titan or other 3rd Party supplied SW computer programs contained in the Titan products described in this instruction manual may not be copied (reverse engineered) or reproduced in any manner without the express written permission of Titan or the 3rd Party SW supplier. Furthermore, the purchase of Titan products shall not be deemed to grant either directly or by implication, estoppel, or otherwise, any license under the copyrights, patents or patent applications of Titan or other 3rd Party supplied SW, except for the normal non-exclusive, royalty free license to use that arises by operation of law in the sale of a product.

USAGE AND DISCLOSURE RESTRICTIONS

I. License Agreements

The software described in this document is the property of Titan and its licensors. It is furnished by express license agreement only and may be used only in accordance with the terms of such an agreement.

II. Copyrighted Materials

Software and documentation are copyrighted materials. Making unauthorized copies is prohibited by law. No part of the software or documentation may be reproduced, transmitted, transcribed, stored in a retrieval system, or translated into any language or computer language, in any form or by any means, without prior written permission of Titan

III. High Risk Materials

Components, units, or third-party products used in the product described herein are NOT fault-tolerant and are NOT designed, manufactured, or intended for use as on-line control equipment in the following hazardous environments requiring fail-safe controls: the operation of Nuclear Facilities, Aircraft Navigation or Aircraft Communication Systems, Air Traffic Control, Life Support, or Weapons Systems (High Risk Activities"). Titan and its supplier(s) specifically disclaim any expressed or implied warranty of fitness for such High Risk Activities.

IV. Trademarks

The Titan logo is a registered trademark. All other product or service names are the property of their respective owners.

V. Third Party Rights

The software may include Third Party Right software. In this case you agree to comply with all terms and conditions imposed on you in respect of such separate software. In addition to Third Party Terms, the disclaimer of warranty and limitation of liability provisions in this License shall apply to the Third Party Right software.

TITAN HEREBY DISCLAIMS ANY AND ALL WARRANTIES EXPRESS OR IMPLIED FROM ANY THIRD PARTIES REGARDING ANY SEPARATE FILES, ANY THIRD PARTY MATERIALS INCLUDED IN THE SOFTWARE, ANY THIRD PARTY MATERIALS FROM WHICH THE SOFTWARE IS DERIVED (COLLECTIVELY "OTHER CODE"), AND THE USE OF ANY OR ALL THE OTHER CODE IN CONNECTION WITH THE SOFTWARE, INCLUDING (WITHOUT LIMITATION) ANY WARRANTIES OF SATISFACTORY QUALITY OR FITNESS FOR A PARTICULAR PURPOSE.

NO THIRD PARTY LICENSORS OF OTHER CODE SHALL HAVE ANY LIABILITY FOR ANY DIRECT, INDIRECT, INCIDENTAL, SPECIAL, EXEMPLARY, OR CONSEQUENTIAL DAMAGES (INCLUDING WITHOUT LIMITATION LOST PROFITS), HOWEVER CAUSED AND WHETHER MADE UNDER CONTRACT, TORT OR OTHER LEGAL THEORY, ARISING IN ANY WAY OUT OF THE USE OR DISTRIBUTION OF THE OTHER CODE OR THE EXERCISE OF ANY RIGHTS GRANTED UNDER EITHER OR BOTH THIS LICENSE AND THE LEGAL TERMS APPLICABLE TO ANY SEPARATE FILES, EVEN IF ADVISED OF THE POSSIBILITY OF SUCH DAMAGES.

APPLICABILITY TABLE

This documentation applies to the following products:

Table 1: Applicability Table

| Module Name | Description |
|-----------------|--|
| LE940B6-NA AUTO | North America regional variant (AT&T and T-Mobile) |
| LE940B6-NV AUTO | North America region variant (Verizon, AT&T and T-Mobile) |
| LE940B6-RW AUTO | Rest of World variant (Europe, APAC, Latin America and more) |
| LE940B6-CN AUTO | China variant |

CONTENTS

| | | |
|-----------|---|-----------|
| 1. | INTRODUCTION | 10 |
| 1.1. | Scope | 10 |
| 1.2. | Audience..... | 10 |
| 1.3. | Contact Information, Support..... | 11 |
| 1.4. | Text Conventions..... | 11 |
| 1.5. | Related Documents..... | 12 |
| 1.6. | Document Organization..... | 12 |
| 2. | PRODUCT DESCRIPTION | 14 |
| 2.1. | Overview..... | 14 |
| 2.2. | Applications | 14 |
| 2.3. | General Functionality and Main Features..... | 15 |
| 2.4. | Environmental Requirements | 16 |
| 2.4.1. | Temperature Range..... | 16 |
| 2.4.2. | RoHS Compliance | 16 |
| 2.5. | Operating Frequency Bands..... | 17 |
| 2.5.1. | RF Bands per Regional Variant..... | 17 |
| 2.5.2. | Reference Table of RF Bands Characteristics | 18 |
| 2.6. | Sensitivity | 21 |
| 2.7. | LE940B6 Mechanical Specifications..... | 22 |
| 2.7.1. | Dimensions..... | 22 |
| 2.7.2. | Weight | 22 |
| 3. | LE940B6 MODULE CONNECTIONS | 23 |
| 3.1. | Pin-out | 23 |
| 3.2. | LE940B6 Signals That Must Be Connected | 40 |
| 3.3. | LGA Pads Layout..... | 42 |
| 4. | ELECTRICAL SPECIFICATIONS..... | 43 |
| 4.1. | Absolute Maximum Ratings – Not Operational..... | 43 |
| 4.2. | Recommended Operating Conditions..... | 43 |
| 4.3. | Logic Level Specifications | 44 |
| 4.3.1. | 1.8V Standard GPIOs..... | 44 |
| 4.3.2. | 1.8V I2C Pads..... | 44 |
| 4.3.3. | 1.8V/2.9V SIM Pads | 45 |
| 4.3.4. | USB | 45 |
| 4.3.5. | 2.5V/3.3V EMAC Interface for RMII and RGMII..... | 46 |

| | | |
|-----------|---|-----------|
| 5. | HARDWARE COMMANDS | 47 |
| 5.1. | Turning on the LE940B6 Module..... | 47 |
| 5.2. | Initialization and Activation State..... | 47 |
| 5.3. | Turning off the LE940B6 Module..... | 51 |
| 5.3.1. | Shutdown by Software Command..... | 52 |
| 5.3.2. | Hardware Shutdown..... | 53 |
| 5.3.3. | Unconditional Hardware Reset (RESET_N)..... | 54 |
| 5.3.4. | Unconditional Hardware Shutdown..... | 55 |
| 6. | POWER SUPPLY | 57 |
| 6.1. | Power Supply Requirements..... | 57 |
| 6.2. | General Design Rules..... | 60 |
| 6.2.1. | Electrical Design Guidelines..... | 60 |
| 6.2.1.1. | + 5V Input Source Power Supply – Design Guidelines..... | 60 |
| 6.2.1.2. | + 12V Input Source Power Supply – Design Guidelines..... | 61 |
| 6.2.1.3. | Battery Source Power Supply – Design Guidelines..... | 63 |
| 6.2.2. | Thermal Design Guidelines..... | 63 |
| 6.2.3. | Power Supply PCB Layout Guidelines..... | 64 |
| 7. | ANTENNA(S) | 66 |
| 7.1. | GSM/WCDMA/TD-SCDMA/LTE Antenna Requirements..... | 66 |
| 7.2. | GSM/WCDMA/TD-SCDMA/LTE Antenna – PCB Line Guidelines..... | 66 |
| 7.3. | GSM/WCDMA/TD-SCDMA/LTE Antenna – Installation Guidelines..... | 67 |
| 7.4. | Secondary Antenna Requirements..... | 68 |
| 7.5. | PCB Guidelines in Case of FCC Certification..... | 68 |
| 7.5.1. | Transmission Line Design..... | 68 |
| 7.5.2. | Transmission Line Measurements..... | 69 |
| 8. | HARDWARE INTERFACES | 71 |
| 8.1. | USB Port..... | 72 |
| 8.2. | Serial Ports..... | 74 |
| 8.2.1. | Modem Serial Port 1..... | 74 |
| 8.2.2. | Modem Serial Port 2..... | 75 |
| 8.2.3. | Modem Serial Port 3..... | 76 |
| 8.2.4. | RS232 Level Translation..... | 77 |
| 8.3. | Peripheral Ports..... | 79 |
| 8.3.1. | SPI – Serial Peripheral Interface..... | 79 |
| 8.3.2. | I2C - Inter-integrated Circuit..... | 80 |
| 8.4. | Ethernet Interface..... | 80 |
| 8.5. | Audio Interface..... | 82 |

| | | |
|------------|--|------------|
| 8.5.1. | Analog Audio | 82 |
| 8.5.2. | Digital Audio | 82 |
| 8.6. | General Purpose I/O..... | 83 |
| 8.6.1. | Using a GPIO Pad as Input | 84 |
| 8.6.2. | Using a GPIO Pad as Output..... | 84 |
| 9. | MISCELLANEOUS FUNCTIONS..... | 85 |
| 9.1. | Indication of Network Service Availability | 85 |
| 9.2. | RTC – Real Time Clock..... | 85 |
| 9.3. | VAUX Power Output..... | 86 |
| 9.4. | ADC Converter | 86 |
| 9.4.1. | Description..... | 86 |
| 9.4.2. | Using the ADC Converter | 86 |
| 9.5. | Using the Temperature Monitor Function..... | 86 |
| 9.6. | Fuel Gauge (TBD)..... | 87 |
| 9.7. | eFuse..... | 87 |
| 10. | MOUNTING THE MODULE ON YOUR BOARD..... | 88 |
| 10.1. | General..... | 88 |
| 10.2. | Finishing & Dimensions | 88 |
| 10.3. | Recommended Footprint for the Application | 89 |
| 10.4. | Stencil..... | 90 |
| 10.5. | PCB Pad Design..... | 90 |
| 10.6. | Recommendations for PCB Pad Dimensions (mm)..... | 91 |
| 10.7. | Solder Paste | 92 |
| 10.7.1. | Solder Reflow | 92 |
| 11. | APPLICATION GUIDE..... | 94 |
| 11.1. | Debug of the LE940B6 Module in Production..... | 94 |
| 11.2. | Bypass Capacitor on Power Supplies..... | 95 |
| 11.3. | SIM Interface | 96 |
| 11.3.1. | SIM Schematic Example..... | 96 |
| 11.4. | EMC Recommendations..... | 97 |
| 11.5. | Download and Debug Port..... | 97 |
| 11.6. | Antenna Detection | 98 |
| 12. | PACKING SYSTEM | 99 |
| 12.1. | Tray Drawing | 101 |
| 12.2. | Moisture Sensitivity..... | 101 |
| 13. | CONFORMITY ASSESSMENT ISSUES..... | 102 |

13.1. FCC/IC Regulatory Notices 102

13.2. RED Regulatory Notices..... 104

14. **SAFETY RECOMMENDATIONS**..... 106

15. **ACRONYMS**..... 107

16. **DOCUMENT HISTORY** 109

Provided to Dekra under NDA
Distribution is Prohibited except for
Dekra employees with a Need to know

1. Introduction

1.1. Scope

This document introduces the Titan LE940B6 module and presents possible and recommended hardware solutions for developing a product based on the LE940B6 module. All the features and solutions detailed in this document are applicable to all LE940B6 variants, where “LE940B6” refers to the variants listed in the applicability table.

If a specific feature is applicable to a specific product only, it will be clearly marked.

**NOTE:**

LE940B6 refers to all modules listed in the Applicability Table.

This document takes into account all the basic functions of a wireless module; suggests a valid hardware solution for each function, and points out incorrect solutions and common errors to be avoided.

Obviously, this document cannot embrace every hardware solution or every product that can be designed. Obviously, avoiding invalid solutions must be considered mandatory. Where the suggested hardware configurations need not be considered mandatory, the information given should be used as a guide and a starting point for properly developing your product with the LE940B6 module.

**NOTE:**

The integration of the GSM/GPRS/EGPRS/WCDMA/HSPA+/LTE LE940B6 cellular module within a user application must be done according to the design rules described in this manual.

1.2. Audience

This document is intended for Titan customers, especially system integrators, about to implement their applications using the LE940B6 module.

1.3. Contact Information, Support

For general contact, technical support, to report documentation errors and to order manuals, contact Titan Technical Support via Team forge CollabNet.

<https://ctf.tustitan.com/>

Alternatively, get in touch with your usual Titan contact.

For more information about Titan visit:

<http://www.tustitan.com>

To register for product news and announcements or for product questions contact Titan Technical Support. Our aim is to make this guide as helpful as possible. Keep us informed of your comments and suggestions for improvements.

Titan appreciates feedback from the users of our information.

1.4. Text Conventions

The following conventions are used to emphasize specific types of information:



DANGER:

Danger – This information **MUST** be followed or catastrophic equipment failure or bodily injury may occur.



WARNING:

Caution or Warning – Alerts the user to important points about integrating the module, if these points are not followed, the module and end user equipment may fail or malfunction.



NOTE:

Tip or Information – Provides advice and suggestions that may be useful when integrating the module.

All dates are in ISO 8601 format, i.e. YYYY-MM-DD.

1.5. Related Documents

Table 2: Related Documents

| Document Title | Document Number |
|---|-----------------|
| Ref 1: LE940B6 AT Command Reference Guide | 80514ST10767A |
| Ref 2: LE940B6 SW User Guide | 1VV0301296 |
| Ref 3: Titan EVK2 User Guide | 1vv0300704 |
| Ref 4: SIM Integration Design Guide | 80000NT10001A |
| Ref 5: Titan - Antenna Detection Application Note | 80000NT10002a |

1.6. Document Organization

This document contains the following chapters:

Table 3: Document Structure

| Chapter# | Chapter Title | Description |
|----------|-----------------------------------|--|
| 1 | Introduction | Provides the scope of this document, target audience, contact and support information, and text conventions |
| 2 | Product Description | An overview of the product features |
| 3 | LE940B6 Module Connections | Pinout configuration and layout |
| 4 | Electrical Specifications | Specifies electrical values of logic levels for this module |
| 5 | Hardware Commands | Instructs how to control the module via hardware |
| 6 | Power Supply | Supply lines and current consumption |
| 7 | Antenna(s) | Describes the antenna connections and related aspects of board layout design, which are most critical for the overall product design |
| 8 | Hardware Interfaces | Specifies the peripheral and audio interfaces |
| 9 | Miscellaneous Functions | |
| 10 | Mounting the Module on your Board | |

| Chapter# | Chapter Title | Description |
|----------|------------------------------|-------------|
| 11 | Application Guide | |
| 12 | Packing System | |
| 13 | Conformity Assessment Issues | |
| 14 | Safety Recommendations | |
| 15 | Acronyms ¹⁶ | |
| 16 | Document History | |

Dekra employees with a Need to know
Distribution is Prohibited to Dekra under NDA
except for

2. Product Description

2.1. Overview

LE940B6 is Titan's platform for automotive telematics on-board units (OBU's) for applications, such as automotive telematics and eCall, based on the following technologies:

- 4G cellular for voice and data communication
- GNSS (optional) - GPS, GLONASS, BeiDou, Galileo, QZSS, for positioning service
- Embedded security
- Designed for automotive markets' quality needs

In its most basic use case, LE940B6 can be applied as a wireless communication front-end for telematics products, offering GNSS and mobile communication features to an external host CPU through its rich interfaces.

LE940B6 can further support customer software applications and security features. LE940B6 is based on a Yocto Linux system running on an application processor. Thanks to a dedicated application processor and embedded security resources, product developers and manufacturers can create products that guarantee fraud prevention and tamper evidence without extra effort for additional security precautions.

LE940B6 can be self-sufficient and serve as a fully-integrated solution for applications, such as location-based cellular telematics, navigation, road pricing and eCall. In such a case, the customer would simply complement the module with a power supply, speaker amplifier, microphone, antennas, and an HMI (if applicable).

LE940B6 is offered with different regional variants according to the list in Table 1: Applicability Table.

2.2. Applications

LE940B6 can be used for telematics applications where tamper-resistance, confidentiality, integrity, and authenticity of end-user information are required, for example:

- Emergency call
- Telematics services
- Road pricing
- Pay-as-you-drive insurance
- Stolen vehicles tracking
- Internet connectivity

¹ In accordance with Titan's Robustness Validation, using AEC-Q100-defined qualification tests

2.3. General Functionality and Main Features

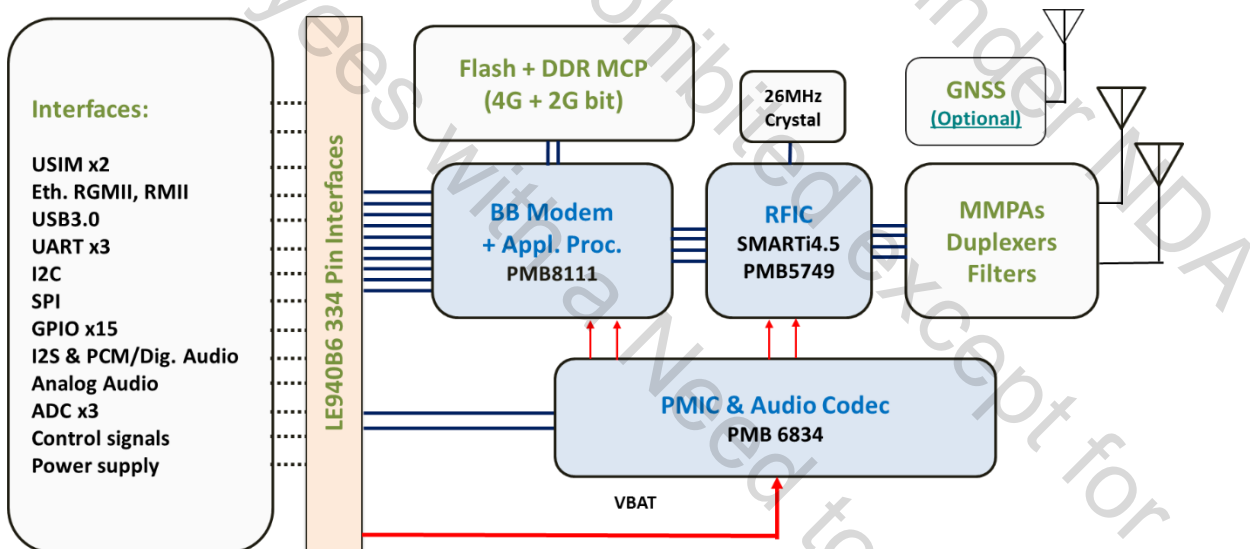
The LE940B6 family of automotive cellular modules features an LTE and multi-RAT modem together with a powerful on-chip application processor and a rich set of interfaces.

The major functions and features are listed below:

- Multi-RAT with LTE carrier aggregation (Rel. 10, Cat. 6)
- Flash + DDR large enough to allow the space for customer's own software applications
- Advanced security features
- FOTA (optional)
- Several region variants with optimal choice of RF bands in each for worldwide coverage of countries and MNOS
- Well-designed form factor (40x40mm), accommodating the multiple RF bands in each region variant
- Digital audio and analog audio codec
- A GNSS function is not included within the module, but can be supported with the proper interface while mounted on the customer board
- The entire module is designed by Titan for satisfying the environment and quality requirements of the automotive market

Figure 1 shows the high-level functionality of the LE940B6 module.

Figure 1: LE940B6 High-level Functionality



2.4. Environmental Requirements

2.4.1. Temperature Range

| | |
|--|---|
| Operating temperature range | -20 ~ +55°C. This range is defined by 3GPP (the global standard for wireless mobile communication). Titan guarantees its modules to comply with all the 3GPP requirements and to have full functionality of the module with in this range. |
| | -40 ~ +85°C. Titan guarantees full functionality within this range as well. However, there may possibly be some performance deviations in this extended range relative to 3GPP requirements, which means that some RF parameters may deviate from the 3GPP specification in the order of a few dB. For example: receiver sensitivity or maximum output power may be slightly degraded. Even so, all the functionalities, such as call connection, SMS, USB communication, UART activation etc., will be maintained, and the effect of such degradations will not lead to malfunction. |
| | -40°C ~ +95°C. eCall must be functional (until the module is broken) |
| Storage and non-operating temperature range | -40°C ~ +95°C |

2.4.2. RoHS Compliance

As a part of the Titan corporate policy of environmental protection, the LE940B6 complies with the RoHS (Restriction of Hazardous Substances) directive of the European Union (EU directive 2011/65/EU).

2.5. Operating Frequency Bands

The operating frequencies in WCDMA and LTE modes conform to the 3GPP specifications.

2.5.1. RF Bands per Regional Variant

Table 4 summarizes all region variants within the LE940B6 family, showing the supported band sets in each variant and the supported band pairs for 2x carrier aggregation.

Table 4: RF Bands per Regional Variant

| Region Variant | LTE FDD | LTE TDD | HSPA+ | TD-SCDMA | 2G |
|----------------|---|---|-------------------------|----------|------------|
| LE940B6-NA | 2, 4, 5, 7, 12, 29(DL) | - | 2, 4, 5 | - | 2, 5 |
| | LTE Carrier Aggregation | 2+5, 2+12, 2+29, 4+4, 4+5, 4+12, 4+29 | | | |
| LE940B6-NV | 2, 4, 5, 7, 12, 13, 29(DL) | - | 2, 4, 5 | - | 2, 5 |
| | LTE Carrier Aggregation | 2+5, 2+12, 2+13, 2+29, 4+4, 4+5, 4+12, 4+13, 4+29, | | | |
| LE940B6-RW | 1, 2, 3, 4, 5, 7, 8, 19, 20, 21, 26, 28, 32(DL) | - | 1, 2, 3, 4, 5, 6, 8, 19 | - | 2, 3, 5, 8 |
| | LTE Carrier Aggregation | 1+5, 1+8, 1+19, 1+21, 1+26, 2+5, 3+3, 3+5, 3+7, 3+8, 3+19, 3+20, 3+26, 3+28, 4+4, 4+5, 5+7, 7+8, 7+20, 7+28, 19+21, 20+32 | | | |
| LE940B6-CN | 1, 3, 5, 8, 26 | 38, 39, 40, 41M | 1, 3, 5, 8 | 34, 39 | 3, 8 |
| | LTE Carrier Aggregation | 1+5, 1+26, 3+3, 3+5, 3+8, 3+26, 39+41, 40+40, 41+41 | | | |

Band 41M for China: 2,555 - 2,655 MHz

2.5.2. Reference Table of RF Bands Characteristics

Table 5: RF Bands Characteristics

| Mode | Freq. Tx (MHz) | Freq. Rx (MHz) | Channels | Tx-Rx Offset |
|-----------------|-----------------|-----------------|--------------------------------------|--------------|
| PCS 1900 | 1850.2 ~ 1909.8 | 1930.2 ~ 1989.8 | 512 ~ 810 | 80 MHz |
| DCS 1800 | 1710.2 ~ 1784.8 | 1805.2 ~ 1879.8 | 512 ~ 885 | 95 MHz |
| GSM 850 | 824.2 ~ 848.8 | 869.2 ~ 893.8 | 128 ~ 251 | 45 MHz |
| EGSM 900 | 880.2 ~ 914.8 | 925.2 ~ 959.8 | 975 ~ 1023, 1 ~ 124 | 45 MHz |
| WCDMA 2100 – B1 | 1920 ~ 1980 | 2110 ~ 2170 | Tx: 9612 ~ 9888 Rx: 10562 ~ 10838 | 190 MHz |
| WCDMA 1900 – B2 | 1850 ~ 1910 | 1930 ~ 1990 | Tx: 9262 ~ 9538 Rx: 9662 ~ 9938 | 80 MHz |
| WCDMA 1800 – B3 | 1710 ~ 1785 | 1805 ~ 1880 | Tx: 937 ~ 1288 Rx: 1162 ~ 1513 | 95 MHz |
| WCDMA AWS – B4 | 1710 ~ 1755 | 2110 ~ 2155 | Tx: 1312 ~ 1513 Rx: 1537 ~ 1738 | 400 MHz |
| WCDMA 850 – B5 | 824 ~ 849 | 869 ~ 894 | Tx: 4132 ~ 4233 Rx: 4357 ~ 4458 | 45 MHz |
| WCDMA 800 – B6 | 830 ~ 840 | 875 ~ 885 | Tx: 4162 ~ 4188 Rx: 4387 ~ 4413 | 45 MHz |
| WCDMA 900 – B8 | 880 ~ 915 | 925 ~ 960 | Tx: 2712 ~ 2863 Rx: 2937 ~ 3088 | 45 MHz |
| WCDMA 1800 – B9 | 1750 ~ 1784.8 | 1845 ~ 1879.8 | Tx: 8762 ~ 8912 Rx: 9237 ~ 9387 | 95 MHz |
| WCDMA 800 – B19 | 830 ~ 845 | 875 ~ 890 | Tx: 312 ~ 363 Rx: 712 ~ 763 | 45 MHz |

| Mode | Freq. Tx (MHz) | Freq. Rx (MHz) | Channels | Tx-Rx Offset |
|--------------------|-----------------|-----------------|--|--------------|
| TDSCDMA 2000 – B34 | 2010 ~ 2025 | 2010 ~ 2025 | Tx: 10050 ~ 10125 Rx: 10050 ~ 10125 | 0 MHz |
| TDSCDMA 1900 – B39 | 1880 ~ 1920 | 1880 ~ 1920 | Tx: 9400 ~ 9600 Rx: 9400 ~ 9600 | 0 MHz |
| LTE 2100 – B1 | 1920 ~ 1980 | 2110 ~ 2170 | Tx: 18000 ~ 18599 Rx: 0 ~ 599 | 190 MHz |
| LTE 1900 – B2 | 1850 ~ 1910 | 1930 ~ 1990 | Tx: 18600 ~ 19199 Rx: 600 ~ 1199 | 80 MHz |
| LTE 1800 – B3 | 1710 ~ 1785 | 1805 ~ 1880 | Tx: 19200 ~ 19949 Rx: 1200 ~ 1949 | 95 MHz |
| LTE AWS – B4 | 1710 ~ 1755 | 2110 ~ 2155 | Tx: 19950 ~ 20399 Rx: 1950 ~ 2399 | 400 MHz |
| LTE 850 – B5 | 824 ~ 849 | 869 ~ 894 | Tx: 20400 ~ 20649 Rx: 2400 ~ 2649 | 45 MHz |
| LTE 2600 – B7 | 2500 ~ 2570 | 2620 ~ 2690 | Tx: 20750 ~ 21449 Rx: 2750 ~ 3449 | 120 MHz |
| LTE 900 – B8 | 880 ~ 915 | 925 ~ 960 | Tx: 21450 ~ 21799 Rx: 3450 ~ 3799 | 45 MHz |
| LTE 1800 – B9 | 1749.9 ~ 1784.9 | 1844.9 ~ 1879.9 | Tx: 21800 ~ 2149 Rx: 3800 ~ 4149 | 95 MHz |
| LTE AWS+ – B10 | 1710 ~ 1770 | 2110 ~ 2170 | Tx: 22150 ~ 22749 Rx: 4150 ~ 4749 | 400 MHz |

| Mode | Freq. Tx (MHz) | Freq. Rx (MHz) | Channels | Tx-Rx Offset |
|--------------------|-----------------|-----------------|--|--------------|
| LTE 700a – B12 | 699 ~ 716 | 729 ~ 746 | Tx : 23010 ~ 23179 Rx : 5010 ~ 5179 | 30 MHz |
| LTE 700c – B13 | 777 ~ 787 | 746 ~ 756 | Tx : 23180 ~ 23279 Rx : 5180 ~ 5279 | -31 MHz |
| LTE 700b – B17 | 704 ~ 716 | 734 ~ 746 | Tx: 23730 ~ 23849 Rx: 5730 ~ 5849 | 30 MHz |
| LTE 800 – B19 | 830 ~ 845 | 875 ~ 890 | Tx: 24000 ~ 24149 Rx: 6000 ~ 6149 | 45 MHz |
| LTE 800 – B20 | 832 ~ 862 | 791 ~ 821 | Tx: 24150 ~ 24449 Rx: 6150 ~ 6449 | -41 MHz |
| LTE 1500 – B21 | 1447.9 ~ 1462.9 | 1495.9 ~ 1510.9 | Tx: 24450 ~ 24599 Rx: 6450 ~ 6599 | 48 MHz |
| LTE 850+ – B26 | 814 ~ 849 | 859 ~ 894 | Tx: 26690 ~ 27039 Rx: 8690 ~ 9039 | 45 MHz |
| LTE 700 – B28 | 703 ~ 748 | 758 ~ 803 | Tx : 27210 ~ 27659 Rx : 9210 ~ 9659 | 45 MHz |
| LTE 700d – B29 | Downlink only | 717 ~ 728 | Rx: 9660 ~ 9769 | 0 MHz |
| LTE 1500 – B32 | Downlink only | 1452 ~ 1496 | Rx: 9920 ~ 10359 | 0 MHz |
| LTE TDD 2600 – B38 | 2570 ~ 2620 | 2570 ~ 2620 | Tx: 37750 ~ 38249 Rx: 37750 ~ 38249 | 0 MHz |

| Mode | Freq. Tx (MHz) | Freq. Rx (MHz) | Channels | Tx-Rx Offset |
|--------------------|----------------|----------------|--|--------------|
| LTE TDD 1900 – B39 | 1880 ~ 1920 | 1880 ~ 1920 | Tx: 38250 ~ 38649 Rx: 38250 ~ 38649 | 0 MHz |
| LTE TDD 2300 – B40 | 2300 ~ 2400 | 2300 ~ 2400 | Tx: 38650 ~ 39649 Rx: 38650 ~ 39649 | 0 MHz |
| LTE TDD 2500 – B41 | 2496 ~ 2690 | 2496 ~ 2690 | Tx: 39650 ~ 41589 Rx: 39650 ~ 41589 | 0 MHz |

2.6. Sensitivity

LE940B6 maximum sensitivity levels are as follows (exact performance figures will be specified at a later stage):

- < 3GPP @ 2G
- < 3GPP @ 3G
- < 3GPP @ 4G FDD (BW=5 MHz)
- < 3GPP @ 4G TDD (BW=5 MHz)

2.7. LE940B6 Mechanical Specifications

2.7.1. Dimensions

The LE940B6 module's overall dimensions are:

- Length: 40 mm, +/- 0.20 mm tolerance
- Width: 40 mm, +/- 0.20 mm tolerance
- Thickness: 3.0 mm, +/- 0.15 mm tolerance (with label)

2.7.2. Weight

The nominal weight of the LE940B6 module is 11 gram.

Provided to Dekra under NDA
Distribution is Prohibited except for
Dekra employees with a Need to know

3. LE940B6 Module Connections

3.1. Pin-out

Table 6: LE940B6 Pin-out

| Pad | Signal | I/O | Function | Type | Comment |
|--------------------------------------|-----------|-----|---|------|---------|
| USB HS 2.0 Communication Port | | | | | |
| A18 | USB_VBUS | AI | Power sense for the internal USB transceiver | | |
| D19 | USB_D+ | I/O | USB differential data (+) | | |
| F19 | USB_D- | I/O | USB differential data (-) | | |
| Asynchronous UART | | | | | |
| AH19 | C103/TXD | I | Serial data input (TXD) from DTE | 1.8V | |
| AF19 | C104/RXD | O | Serial data output (RXD) to DTE | 1.8V | |
| AA18 | C105/RTS | I | Input for Request To Send signal (RTS) from DTE | 1.8V | |
| AK19 | C106/CTS | O | Output for Clear To Send signal (CTS) to DTE | 1.8V | |
| AG18 | C107/DSR | O | Output for Data Set Ready signal (DSR) to DTE | 1.8V | |
| AC18 | C108/DTR | I | Input for Data Terminal Ready signal (DTR) from DTE | 1.8V | |
| AE18 | C109/DCD | O | Output for Data Carrier Detect signal (DCD) to DTE | 1.8V | |
| AJ18 | C125/RING | O | Output for Ring Indicator signal (RI) to DTE | 1.8V | |
| Asynchronous Auxiliary UART | | | | | |
| AB19 | TXD_AUX | O | Auxiliary UART (Tx Data to DTE) | 1.8V | |

| Pad | Signal | I/O | Function | Type | Comment |
|---------------------------------------|-----------------|-----|--|------|---------|
| AD19 | RXD_AUX | I | Auxiliary UART (Rx Data from DTE) | 1.8V | |
| Asynchronous UART3 | | | | | |
| AM9 | UART3_TXD | I | Serial data input (TXD) from DTE | 1.8V | |
| AM11 | UART3_RXD | O | Serial data output (RXD) to DTE | 1.8V | |
| AM13 | UART3_RTS | I | Input for Request To Send (RTS) from DTE | 1.8V | |
| AM15 | UART3_CTS | O | Output for Clear To Send (CTS) to DTE | 1.8V | |
| JTAG – Joint Test Action Group | | | | | |
| E4 | JTAG_TDI | I | JTAG_TDI | 1.8V | |
| F3 | JTAG_RESOUT_N | O | JTAG_RESOUT* | 1.8V | |
| F5 | JTAG_TRIGOUT | - | JTAG_TRIGOUT | 1.8V | |
| G2 | JTAG_RTCK | O | JTAG_RTCK | 1.8V | |
| H3 | JTAG_TCK | I | JTAG_TCK | 1.8V | |
| J2 | JTAG_TRST_N | I | JTAG_TRST* | 1.8V | |
| K3 | JTAG_TDO | O | JTAG_TDO | 1.8V | |
| L2 | JTAG_TMS | I | JTAG_TMS | 1.8V | |
| M3 | JTAG_TRIGIN | - | JTAG_TRIGIN | 1.8V | |
| JTAG - MiPi 34 Interface | | | | | |
| L4 | JTAG_PTI_CLK | O | MiPi Clock | 1.8V | |
| N4 | JTAG_PTI_DATA 0 | I/O | MiPi Data 0 | 1.8V | |
| R4 | JTAG_PTI_DATA 1 | I/O | MiPi Data 1 | 1.8V | |

| Pad | Signal | I/O | Function | Type | Comment |
|-------------------------------|--------------------|--------|--|-----------|------------|
| T4 | JTAG_PTI_DATA 2 | I/O | MiPi Data 2 | 1.8V | |
| V4 | JTAG_PTI_DATA 3 | I/O | MiPi Data 3 | 1.8V | |
| SIM Card Interface | | | | | |
| A8 | SIMVCC1 | - | External SIM signal – Power supply for the SIM | 1.8/2.9 V | |
| A10 | SIMCLK1 | O | External SIM signal – Clock | 1.8/2.9 V | |
| B7 | SIMIN1 | I | External SIM signal – Presence | 1.8V | Active Low |
| B9 | SIMIO1 | I/O | External SIM signal – Data I/O | 1.8/2.9 V | |
| B11 | SIMRST1 | O | External SIM signal – Reset | 1.8/2.9 V | |
| SIM Card Interface 2 | | | | | |
| D15 | SIMVCC2 | - | External SIM signal – Power supply for the SIM | 1.8/2.9 V | |
| C16 | SIMCLK2 | O | External SIM signal – Clock | 1.8/2.9 V | |
| C18 | SIMIN2 | I | External SIM signal – Presence (active low) | 1.8V | Active Low |
| E16 | SIMIO2 | I/O | External SIM signal – Data I/O | 1.8/2.9 V | |
| D17 | SIMRST2 | O | External SIM signal – Reset | 1.8/2.9 V | |
| Analog Audio Interface | | | | | |
| B5 | EAR1_MT+ | A O | Earphone signal output, phase + | | |

| Pad | Signal | I/O | Function | Type | Comment |
|--|----------|--------|--|-------|---------|
| A4 | EAR1_MT- | A O | Earphone signal output, phase - | | |
| B3 | MIC1_MT+ | AI | Microphone input, phase + | | |
| A2 | MIC1_MT- | AI | Microphone input, phase - | | |
| G6 | MIC_BIAS | A O | Microphone Bias | Power | |
| Digital Voice Interface (DVI) | | | | | |
| C8 | DVI_RX | I | Digital Voice interface (Rx) | 1.8V | |
| C10 | DVI_CLK | O | Digital Voice interface (CLK master output) | 1.8V | |
| D9 | DVI_TX | O | Digital Voice interface (Tx) | 1.8V | |
| D11 | DVI_WA0 | O | Digital Voice interface (WA0 master output) | 1.8V | |
| SPI – Serial Peripheral Interface | | | | | |
| K19 | SPI_MOSI | O | SPI data Master output Slave input | 1.8V | |
| M19 | SPI_MISO | I | SPI data Master input Slave output | 1.8V | |
| N18 | SPI_CS | O | SPI Chip select output | 1.8V | |
| P19 | SPI_CLK | O | SPI Clock output | 1.8V | |
| I2C Interface | | | | | |
| C14 | I2C_SCL | I/O | I2C Clock | 1.8V | |
| D13 | I2C_SDA | I/O | I2C Data | 1.8V | |
| Digital I/O | | | | | |
| F9 | GPIO_01 | I/O | GPIO_01 | 1.8V | |
| E10 | GPIO_02 | I/O | GPIO_02 | 1.8V | |
| F11 | GPIO_03 | I/O | GPIO_03 | 1.8V | |

| Pad | Signal | I/O | Function | Type | Comment |
|------------------------------------|------------|-----|-------------------------------------|-----------|---------|
| E12 | GPIO_04 | I/O | GPIO_04 | 1.8V | |
| F13 | GPIO_05 | I/O | GPIO_05 | 1.8V | |
| E14 | GPIO_06 | I/O | GPIO_06 | 1.8V | |
| R18 | GPIO_07 | I/O | GPIO_07 | 1.8V | |
| S19 | GPIO_08 | I/O | GPIO_08 | 1.8V | |
| U19 | GPIO_09 | I/O | GPIO_09 | 1.8V | |
| W19 | GPIO_10 | I/O | GPIO_10 | 1.8V | |
| L18 | GPIO_11 | I/O | GPIO_11 | 1.8V | |
| J18 | GPIO_12 | I/O | GPIO_12 | 1.8V | |
| AN4 | GPIO_20 | I/O | GPIO_20 | 1.8V | |
| H1 | GPIO_21 | I/O | GPIO_21 | 1.8V | |
| K1 | GPIO_22 | I/O | GPIO_22 | 1.8V | |
| Analog to Digital Converter | | | | | |
| D5 | ADC_IN1 | AI | Analog to Digital Converter Input 1 | Analog | |
| E6 | ADC_IN2 | AI | Analog to Digital Converter Input 2 | Analog | |
| F7 | ADC_IN3 | AI | Analog to Digital Converter Input 3 | Analog | |
| Ethernet MAC/PHY Signals | | | | | |
| G14 | MAC_MDC | O | Management Data Clock | 2.5/3.3 V | |
| G12 | MAC_MDIO | I/O | Management Data I/O | 2.5/3.3 V | |
| V16 | MAC_TXD[0] | O | RGMIII or RMII TXD[0] | 2.5/3.3 V | |

| Pad | Signal | I/O | Function | Type | Comment |
|-------------------|-------------|-----|--|--------------|---------|
| T16 | MAC_TXD[1] | O | RGMII or RMII TXD[1] | 2.5/3.3 V | |
| R16 | MAC_TXD[2] | O | RGMII TXD[2] | 2.5/3.3 V | |
| N16 | MAC_TXD[3] | O | RGMII TXD[3] | 2.5/3.3 V | |
| L16 | MAC_GTX_CLK | O | RGMII Transmit Clock | 2.5/3.3 V | |
| G16 | MAC_TXEN_ER | O | RGMII Transmit Enable / Error or RMII Transmit Enable | 2.5/3.3 V | |
| AL16 | MAC_RXD[0] | I | RGMII or RMII RXD[0] | 2.5/3.3 V | |
| AJ16 | MAC_RXD[1] | I | RGMII or RMII RXD[1] | 2.5/3.3 V | |
| AG16 | MAC_RXD[2] | I | RGMII RXD[2] | 2.5/3.3 V | |
| AE16 | MAC_RXD[3] | I | RGMII RXD[3] | 2.5/3.3 V | |
| AC16 | MAC_RX_CLK | I | RGMII Receive Clock | 2.5/3.3 V | |
| X16 | MAC_RXDV_ER | I | RGMII Receive Data Available/Error or RMII Receive Error | 2.5/3.3 V | |
| G10 | ETH_INT_N | I | Ethernet PHY Interrupt | 2.5/3.3 V | |
| G8 | ETH_RST_N | O | Ethernet PHY Reset Output | 2.5/3.3 V | |
| RF Section | | | | | |
| AD1 | ANT_1 | I/O | Primary Antenna 1 | RF | |
| AU9 | ANT_DIV_1 | I | Diversity Antenna 1 | RF | |

| Pad | Signal | I/O | Function | Type | Comment |
|--------------------------------|-------------|-----|---|-------|------------|
| S1 | ANT_GPS | I | GPS Antenna | RF | |
| Miscellaneous Functions | | | | | |
| F17 | VRTC | AI | VRTC Backup capacitor | - | |
| K17 | VIO_1.8V | O | VIO_1.8V for reference voltage | 1.8V | |
| AN8 | RESET_N | I | Reset Input | | Active low |
| AN10 | SW_RDY | O | Indicates that the boot sequence completed successfully | 1.8V | |
| AN12 | SHDN_N | I | Unconditional Shutdown Input | | Active low |
| AS1 | ON_OFF_N | I | Power ON/OFF Input | | Active low |
| AU3 | STAT_LED | O | Status Indicator LED | 1.8V | |
| P17 | VAUX/PWRMON | O | Supply output for external accessories / Power ON Monitor | 1.8V | |
| H17 | VPP | I | VPP for eFuse | | |
| Power Supply | | | | | |
| AP17 | VBATT | - | Main Power Supply (Digital Section) | Power | |
| AP19 | VBATT | - | Main Power Supply (Digital Section) | Power | |
| AR18 | VBATT | - | Main Power Supply (Digital Section) | Power | |
| AR20 | VBATT | - | Main Power Supply (Digital Section) | Power | |
| AS17 | VBATT_PA | - | Main Power Supply (RF Transmit Power Section) | Power | |
| AS19 | VBATT_PA | - | Main Power Supply (RF Transmit Power Section) | Power | |

| Pad | Signal | I/O | Function | Type | Comment |
|---------------|----------|-----|---|--------|---------|
| AT18 | VBATT_PA | - | Main Power Supply (RF Transmit Power Section) | Power | |
| AU17 | VBATT_PA | - | Main Power Supply (RF Transmit Power Section) | Power | |
| AU19 | VBATT_PA | - | Main Power Supply (RF Transmit Power Section) | Power | |
| AT20 | VBATT_PA | - | Main Power Supply (RF Transmit Power Section) | Power | |
| Ground | | | | | |
| A6 | GND | - | Ground | Ground | |
| A12 | GND | - | Ground | Ground | |
| B13 | GND | - | Ground | Ground | |
| B15 | GND | - | Ground | Ground | |
| B17 | GND | - | Ground | Ground | |
| C4 | GND | - | Ground | Ground | |
| C6 | GND | - | Ground | Ground | |
| D3 | GND | - | Ground | Ground | |
| D7 | GND | - | Ground | Ground | |
| E18 | GND | - | Ground | Ground | |
| F1 | GND | - | Ground | Ground | |
| G18 | GND | - | Ground | Ground | |
| H19 | GND | - | Ground | Ground | |
| M1 | GND | - | Ground | Ground | |
| N2 | GND | - | Ground | Ground | |
| P1 | GND | - | Ground | Ground | |
| P3 | GND | - | Ground | Ground | |

| Pad | Signal | I/O | Function | Type | Comment |
|------|--------|-----|----------|--------|---------|
| R2 | GND | - | Ground | Ground | |
| T2 | GND | - | Ground | Ground | |
| T18 | GND | - | Ground | Ground | |
| U1 | GND | - | Ground | Ground | |
| V18 | GND | - | Ground | Ground | |
| W1 | GND | - | Ground | Ground | |
| X2 | GND | - | Ground | Ground | |
| X18 | GND | - | Ground | Ground | |
| Y1 | GND | - | Ground | Ground | |
| Y19 | GND | - | Ground | Ground | |
| AA2 | GND | - | Ground | Ground | |
| AB1 | GND | - | Ground | Ground | |
| AC2 | GND | - | Ground | Ground | |
| AE2 | GND | - | Ground | Ground | |
| AF1 | GND | - | Ground | Ground | |
| AG2 | GND | - | Ground | Ground | |
| AH1 | GND | - | Ground | Ground | |
| AJ2 | GND | - | Ground | Ground | |
| AK1 | GND | - | Ground | Ground | |
| AK17 | GND | - | Ground | Ground | |
| AL18 | GND | - | Ground | Ground | |
| AM17 | GND | - | Ground | Ground | |
| AM19 | GND | - | Ground | Ground | |
| AN16 | GND | - | Ground | Ground | |

| Pad | Signal | I/O | Function | Type | Comment |
|------|--------|-----|----------|--------|---------|
| AN18 | GND | - | Ground | Ground | |
| AP3 | GND | - | Ground | Ground | |
| AP5 | GND | - | Ground | Ground | |
| AP7 | GND | - | Ground | Ground | |
| AP9 | GND | - | Ground | Ground | |
| AP11 | GND | - | Ground | Ground | |
| AP13 | GND | - | Ground | Ground | |
| AP15 | GND | - | Ground | Ground | |
| AR2 | GND | - | Ground | Ground | |
| AR4 | GND | - | Ground | Ground | |
| AR6 | GND | - | Ground | Ground | |
| AR8 | GND | - | Ground | Ground | |
| AR10 | GND | - | Ground | Ground | |
| AR12 | GND | - | Ground | Ground | |
| AR14 | GND | - | Ground | Ground | |
| AR16 | GND | - | Ground | Ground | |
| AS5 | GND | - | Ground | Ground | |
| AS7 | GND | - | Ground | Ground | |
| AS9 | GND | - | Ground | Ground | |
| AS11 | GND | - | Ground | Ground | |
| AS13 | GND | - | Ground | Ground | |
| AS15 | GND | - | Ground | Ground | |
| AT4 | GND | - | Ground | Ground | |
| AT6 | GND | - | Ground | Ground | |

| Pad | Signal | I/O | Function | Type | Comment |
|------|--------|-----|----------|--------|---------|
| AT8 | GND | - | Ground | Ground | |
| AT10 | GND | - | Ground | Ground | |
| AT12 | GND | - | Ground | Ground | |
| AT14 | GND | - | Ground | Ground | |
| AT16 | GND | - | Ground | Ground | |
| AU1 | GND | - | Ground | Ground | |
| AU5 | GND | - | Ground | Ground | |
| AU7 | GND | - | Ground | Ground | |
| AU11 | GND | - | Ground | Ground | |
| AU15 | GND | - | Ground | Ground | |
| AL2 | GND | - | Ground | Ground | |
| AN2 | GND | - | Ground | Ground | |
| L20 | GND | - | Ground | Ground | |
| N20 | GND | - | Ground | Ground | |
| ZZ19 | GND | - | Ground | Ground | |
| A20 | GND | - | Ground | Ground | |
| AV20 | GND | - | Ground | Ground | |
| ZZ1 | GND | - | Ground | Ground | |
| A0 | GND | - | Ground | Ground | |
| AV0 | GND | - | Ground | Ground | |
| N0 | GND | - | Ground | Ground | |
| R0 | GND | - | Ground | Ground | |
| T0 | GND | - | Ground | Ground | |
| V0 | GND | - | Ground | Ground | |

| Pad | Signal | I/O | Function | Type | Comment |
|------|--------|-----|----------|--------|---------|
| X0 | GND | - | Ground | Ground | |
| AA0 | GND | - | Ground | Ground | |
| AC0 | GND | - | Ground | Ground | |
| AE0 | GND | - | Ground | Ground | |
| AG0 | GND | - | Ground | Ground | |
| AJ0 | GND | - | Ground | Ground | |
| AL0 | GND | - | Ground | Ground | |
| AN0 | GND | - | Ground | Ground | |
| AR0 | GND | - | Ground | Ground | |
| AV8 | GND | - | Ground | Ground | |
| AV10 | GND | - | Ground | Ground | |
| AV12 | GND | - | Ground | Ground | |
| AV14 | GND | - | Ground | Ground | |
| AV16 | GND | - | Ground | Ground | |
| AV18 | GND | - | Ground | Ground | |
| T8 | GND | - | Ground | Ground | |
| V8 | GND | - | Ground | Ground | |
| X8 | GND | - | Ground | Ground | |
| AA8 | GND | - | Ground | Ground | |
| U9 | GND | - | Ground | Ground | |
| W9 | GND | - | Ground | Ground | |
| Y9 | GND | - | Ground | Ground | |
| T10 | GND | - | Ground | Ground | |
| V10 | GND | - | Ground | Ground | |

| Pad | Signal | I/O | Function | Type | Comment |
|-----------|--------|-----|----------|--------|---------|
| X10 | GND | - | Ground | Ground | |
| AA10 | GND | - | Ground | Ground | |
| U11 | GND | - | Ground | Ground | |
| W11 | GND | - | Ground | Ground | |
| Y11 | GND | - | Ground | Ground | |
| T12 | GND | - | Ground | Ground | |
| V12 | GND | - | Ground | Ground | |
| X12 | GND | - | Ground | Ground | |
| AA12 | GND | - | Ground | Ground | |
| ZZ101 | GND | - | Ground | Ground | |
| B101 | GND | - | Ground | Ground | |
| D101 | GND | - | Ground | Ground | |
| U101 | GND | - | Ground | Ground | |
| W101 | GND | - | Ground | Ground | |
| Y101 | GND | - | Ground | Ground | |
| AR10 1 | GND | - | Ground | Ground | |
| AT101 | GND | - | Ground | Ground | |
| AV101 | GND | - | Ground | Ground | |
| ZZ102 | GND | - | Ground | Ground | |
| B102 | GND | - | Ground | Ground | |
| D102 | GND | - | Ground | Ground | |
| U102 | GND | - | Ground | Ground | |
| W102 | GND | - | Ground | Ground | |

| Pad | Signal | I/O | Function | Type | Comment |
|-----------------|----------|-----|----------|--------|---------|
| Y102 | GND | - | Ground | Ground | |
| AR102 | GND | - | Ground | Ground | |
| AT102 | GND | - | Ground | Ground | |
| AV102 | GND | - | Ground | Ground | |
| Reserved | | | | | |
| B19 | Reserved | - | Reserved | | |
| C20 | Reserved | - | Reserved | | |
| E20 | Reserved | - | Reserved | | |
| G20 | Reserved | - | Reserved | | |
| J20 | Reserved | - | Reserved | | |
| AN14 | Reserved | - | Reserved | | |
| E8 | Reserved | - | Reserved | | |
| E2 | Reserved | - | Reserved | | |
| D1 | Reserved | - | Reserved | | |
| C2 | Reserved | - | Reserved | | |
| B1 | Reserved | - | Reserved | | |
| C12 | Reserved | - | Reserved | | |
| J4 | Reserved | - | Reserved | | |
| G4 | Reserved | - | Reserved | | |
| AE4 | Reserved | - | Reserved | | |
| AC4 | Reserved | - | Reserved | | |
| Y3 | Reserved | - | Reserved | | |
| AB3 | Reserved | - | Reserved | | |

| Pad | Signal | I/O | Function | Type | Comment |
|------|----------|-----|----------|------|---------|
| AD3 | Reserved | - | Reserved | | |
| AF3 | Reserved | - | Reserved | | |
| AH3 | Reserved | - | Reserved | | |
| AK3 | Reserved | - | Reserved | | |
| AM3 | Reserved | - | Reserved | | |
| AG4 | Reserved | - | Reserved | | |
| AJ4 | Reserved | - | Reserved | | |
| AL4 | Reserved | - | Reserved | | |
| AM5 | Reserved | - | Reserved | | |
| X4 | Reserved | - | Reserved | | |
| AA4 | Reserved | - | Reserved | | |
| S17 | Reserved | - | Reserved | | |
| U17 | Reserved | - | Reserved | | |
| AH17 | Reserved | - | Reserved | | |
| Y17 | Reserved | - | Reserved | | |
| AF17 | Reserved | - | Reserved | | |
| AB17 | Reserved | - | Reserved | | |
| W17 | Reserved | - | Reserved | | |
| AD17 | Reserved | - | Reserved | | |
| R20 | Reserved | - | Reserved | | |
| T20 | Reserved | - | Reserved | | |
| V20 | Reserved | - | Reserved | | |
| X20 | Reserved | - | Reserved | | |
| AA20 | Reserved | - | Reserved | | |

| Pad | Signal | I/O | Function | Type | Comment |
|------|----------|-----|----------|------|---------|
| AC20 | Reserved | - | Reserved | | |
| AE20 | Reserved | - | Reserved | | |
| AG20 | Reserved | - | Reserved | | |
| AJ20 | Reserved | - | Reserved | | |
| AA16 | Reserved | - | Reserved | | |
| J16 | Reserved | - | Reserved | | |
| ZZ11 | Reserved | - | Reserved | | |
| ZZ13 | Reserved | - | Reserved | | |
| ZZ15 | Reserved | - | Reserved | | |
| ZZ17 | Reserved | - | Reserved | | |
| ZZ9 | Reserved | - | Reserved | | |
| ZZ7 | Reserved | - | Reserved | | |
| ZZ5 | Reserved | - | Reserved | | |
| ZZ3 | Reserved | - | Reserved | | |
| C0 | Reserved | - | Reserved | | |
| E0 | Reserved | - | Reserved | | |
| G0 | Reserved | - | Reserved | | |
| J0 | Reserved | - | Reserved | | |
| AM1 | Reserved | - | Reserved | | |
| AU13 | Reserved | - | Reserved | | |
| V2 | Reserved | - | Reserved | | |
| W3 | Reserved | - | Reserved | | |
| A14 | Reserved | - | Reserved | | |
| A16 | Reserved | - | Reserved | | |

| Pad | Signal | I/O | Function | Type | Comment |
|------|----------|-----|----------|------|---------|
| F15 | Reserved | - | Reserved | | |
| AP1 | Reserved | - | Reserved | | |
| M17 | Reserved | - | Reserved | | |
| AN6 | Reserved | - | Reserved | | |
| AS3 | Reserved | - | Reserved | | |
| AT2 | Reserved | - | Reserved | | |
| S3 | Reserved | - | Reserved | | |
| U3 | Reserved | - | Reserved | | |
| L0 | Reserved | - | Reserved | | |
| AM7 | Reserved | - | Reserved | | |
| AL20 | Reserved | - | Reserved | | |
| AN20 | Reserved | - | Reserved | | |
| AT0 | Reserved | - | Reserved | | |
| AV6 | Reserved | - | Reserved | | |
| AV2 | Reserved | - | Reserved | | |
| AV4 | Reserved | - | Reserved | | |

NOTE:

When the UART signals are used as the communication port between the host and the modem:



- The DTR pin must be connected to enter LE940B6 power saving mode.
- The RI pin must be connected to wake up the host when a call is coming while the host is in Sleep mode.
- The RTS must be connected to GND (on the module side) if flow control is not used.

If the UART port is not used, all UART signals can be left disconnected.

**NOTE:**

Unless otherwise specified, RESERVED pins must be left unconnected (floating).

The only exceptions are listed in the following section: LE940B6 Signals That Must Be Connected.

3.2. LE940B6 Signals That Must Be Connected

Table 7 lists the LE940B6 signals that must be connected even if not used by the end application:

Table 7: Mandatory Signals

| PAD | Signal | Notes |
|---|------------------|---|
| AP17, AP19, AR18, AR20, AS17, AS19, AT18, AU17, AU19, AT20 | VBATT & VBATT_PA | |
| A6, A12, B13, B15, B17, C4, C6, D3, D7, E18, F1, G18, H19, M1, N2, P1, P3, R2, T2, T18, U1, V18, W1, X2, X18, Y1, Y19, AA2, AB1, AC2, AE2, AF1, AG2, AH1, AJ2, AK1, AK17, AL18, AM17, AM19, AN16, AN18, AP3, AP5, AP7, AP9, AP11, AP13, AP15, AR2, AR4, AR6, AR8, AR10, AR12, AR14, AR16, AS5, AS7, AS9, AS11, AS13, AS15, AT4, AT6, AT8, AT10, AT12, AT14, AT16, AU1, AU5, AU7, AU11, AU15, AL2, AN2, L20, N20, ZZ19, A20, AV20, ZZ1, A0, AV0, N0, R0, T0, V0, X0, AA0, AC0, AE0, AG0, AJ0, AL0, AN0, AR0, AV8, AV10, AV12, AV14, AV16, AV18, T8, V8, X8, AA8, U9, W9, Y9, T10, V10, X10, AA10, U11, W11, Y11, T12, V12, X12, AA12 | GND | |
| AS1 | ON/OFF* | |
| AN12 | SHDN_N | |
| D19 | USB_D+ | If not used, connect to a test point or a USB connector |
| F19 | USB_D- | If not used, connect to a test point or a USB connector |
| A18 | USB_VBUS | If not used, connect to a test point or a USB connector |

| PAD | Signal | Notes |
|--|--------------|--|
| AH19 | C103/TXD | If not used, connect to a test point |
| AF19 | C104/RXD | If not used, connect to a test point |
| AA18 | C105/RTS | If flow control is not used, connect to GND |
| AK19 | C106/CTS | If not used, connect to a test point |
| AB19 | TXD_AUX | If not used, connect to a test point |
| AD19 | RXD_AUX | If not used, connect to a test point |
| AD1 | ANT_1 | If not used, connect to a 50 Ohm termination |
| AU9 | ANT_DIV_1 | If not used, connect to a 50 Ohm termination |
| S1 | ANT_GPS | If not used, connect to a 50 Ohm termination |
| E4, F3, F5, G2, H3, J2, K3, L2, M3, L4, N4, R4, T4, V4 | For Analysis | Recommended to connect to test points for analysis |

3.3. LGA Pads Layout

Figure 2: LGA Pads Layout LE940B6 334 Pads Top View



(*) MMC is not supported, and the pins assigned for it became Reserved.



NOTE:

The pin defined as RFU must be considered RESERVED and not connected to any pin in the application. The related area on the application must be kept empty.

4. Electrical Specifications

4.1. Absolute Maximum Ratings – Not Operational



WARNING:

A deviation from the value ranges listed below may harm the LE940B6 module.

Table 8: Absolute Maximum Ratings – Not Operational

| Symbol | Parameter | Min | Max | Unit |
|----------|--|------|------|------|
| VBATT | Battery supply voltage on pin VBATT | -0.3 | +6.0 | [V] |
| VBATT_PA | Battery supply voltage on pin VBATT_PA | -0.3 | +6.0 | [V] |

4.2. Recommended Operating Conditions

Table 9: Recommended Operating Conditions

| Symbol | Parameter | Min | Typ | Max | Unit |
|------------------|--|-----|-----|------|------|
| Tamb | Ambient temperature | -40 | +25 | +85 | [°C] |
| VBATT | Battery supply voltage on pin VBATT | 3.4 | 3.8 | 4.2 | [V] |
| VBATT_PA | Battery supply voltage on pin VBATT_PA | 3.4 | 3.8 | 4.2 | [V] |
| IBATT_PA + IBATT | Peak current to be used to dimension decoupling capacitors on pin VBATT_PA | - | 80 | 2000 | [mA] |

4.3. Logic Level Specifications

Unless otherwise specified, all the interface circuits of the LE940B6 are 1.8V CMOS logic. Only few specific interfaces (such as MAC, USIM and SD Card) are capable of dual voltage I/O.

The following tables show the logic level specifications used in the LE940B6 interface circuits. The data specified in the tables below is valid throughout all drive strengths and the entire temperature ranges.



NOTE:

Do not connect LE940B6 digital logic signals directly to OEM digital logic signals with a level higher than 2.7V for 1.8V CMOS signals.

4.3.1. 1.8V Standard GPIOs

Table 10: Absolute Maximum Ratings – Not Functional

| Parameter | Min | Max |
|---------------------------------------|-------|-------|
| Input level on standard GPIOs when on | -0.3V | +2.3V |

Table 11: Operating Range – Interface Levels (1.8V CMOS)

| Parameter | Min | Max |
|-------------------|-------|-------|
| Input high level | 1.26V | 2.0V |
| Input low level | -0.2V | 0.36V |
| Output high level | 1.6V | --- |
| Output low level | --- | 0.2V |

4.3.2. 1.8V I2C Pads

Table 12: Operating Range – 1.8V I2C Pads

| Parameter | Min | Max |
|-------------------|-------|-------|
| Input high level | 1.26V | 2.3V |
| Input low level | -0.3V | 0.54V |
| Output high level | --- | --- |

| Parameter | Min | Max |
|------------------|-----|-------|
| Output low level | --- | 0.36V |

4.3.3. 1.8V/2.9V SIM Pads

Table 13: Operating Range – 1.8V SIM Pads

| Parameter | Min | Max |
|-------------------|-------|-------|
| Input high level | 1.26V | 2.1V |
| Input low level | -0.3V | 0.36V |
| Output high level | 1.26V | 2.1V |
| Output low level | -0.3V | 0.36V |

Table 14: Operating Range – 2.9V SIM Pads

| Parameter | Min | Max |
|-------------------|-------|-------|
| Input high level | 2.03V | 3.1V |
| Input low level | -0.3V | 0.58V |
| Output high level | 2.03V | 3.1V |
| Output low level | -0.3V | 0.58V |

4.3.4. USB

Table 15: Operating Range – USB_D+, USB_D- Pads

| Parameter | Min | Max |
|-------------------|------|------|
| Input high level | 2.0V | --- |
| Input low level | --- | 0.8V |
| Output high level | 2.8V | --- |
| Output low level | --- | 0.3V |

4.3.5. 2.5V/3.3V EMAC Interface for RMII and RGMII

Table 16: Absolute Maximum Ratings – 3.3V EMAC Interface

| Parameter | Min | Max |
|----------------------------------|-------|------|
| Input level on 3.3V EMAC when on | -0.3V | 3.6V |

Table 17: Operating Range – 2.5V EMAC Interface

| Parameter | Min | Max |
|-------------------|-------|------|
| Input high level | 1.7V | 2.5V |
| Input low level | -0.3V | 0.7V |
| Output high level | 2V | --- |
| Output low level | --- | 0.4V |

Table 18: Operating Range – 3.3V EMAC Interface

| Parameter | Min | Max |
|-------------------|-------|------|
| Input high level | 2V | 3.3V |
| Input low level | -0.3V | 0.8V |
| Output high level | 2.6V | --- |
| Output low level | --- | 0.5V |

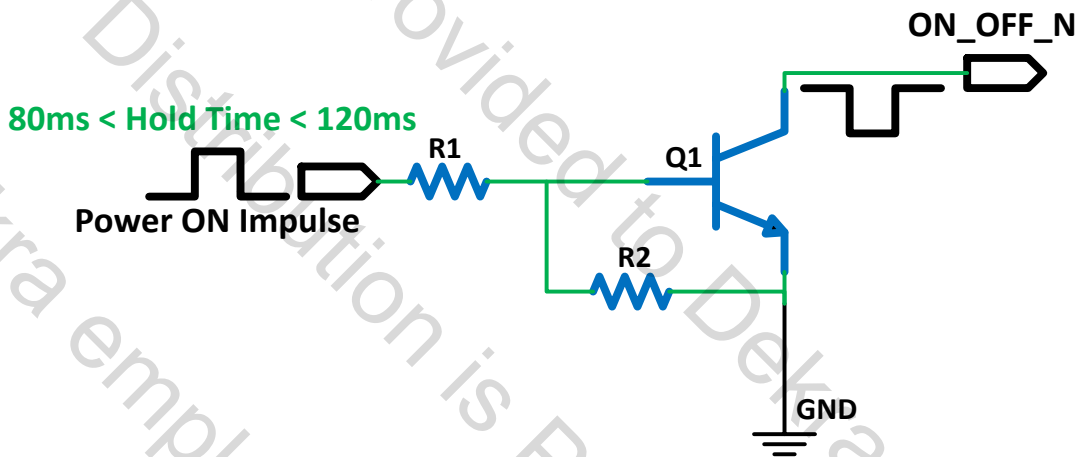
5. Hardware Commands

5.1. Turning on the LE940B6 Module

To turn on the LE940B6 module, the ON_OFF_N pad must be asserted low in the range of 80 - 120 milliseconds and then released.

Figure 3 illustrates a simple circuit to power on the module using an inverted buffer output.

Figure 3: Power-on Circuit



NOTE:

In case VBATT needs to be removed and applied again. The application must take into account the decay time of the power supply after VBATT is removed. VBATT input must be at zero volt before VBATT is reapplied.

5.2. Initialization and Activation State

After turning on the LE940B6 module, a predefined internal boot sequence performs the HW and SW initialization of the module, which takes some time to complete fully. During this process, the LE940B6 is not accessible.

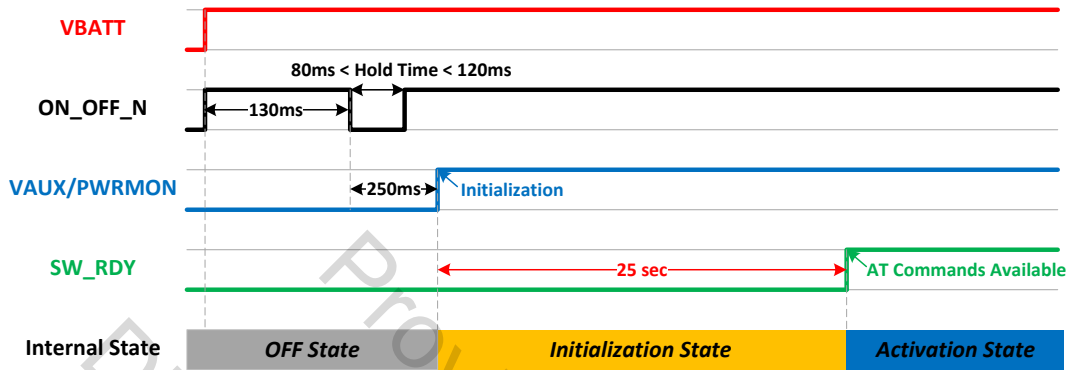
As shown in Figure 4, the LE940B6 becomes operational at least 25 seconds after PWRMON goes HIGH.



NOTE:

During the Initialization state, AT commands are not available. The DTE host must wait for the Activation state prior to communicating with the LE940B6.

Figure 4: LE940B6 Initialization and Activation

**NOTE:**

To check whether the LE940B6 has completely powered on, monitor the SW_RDY hardware line. When SW_RDY goes high, the module has completely powered on and is ready to accept AT commands.

**NOTE:**

Do not use any pull-up resistor on the ON_OFF_N line as it is internally pulled up. Using a pull-up resistor may cause latch-up problems on the LE940B6 power regulator and improper powering on/off of the module. The ON_OFF_N line must be connected only in an open-collector configuration.

**NOTE:**

To avoid a back-powering effect, it is recommended to avoid having any HIGH logic level signal applied to the digital pins of the module when it is powered OFF or during an ON/OFF transition.

Figure 5 shows a flow chart for the proper power-up procedure:

Figure 5: Power-up Flow Chart

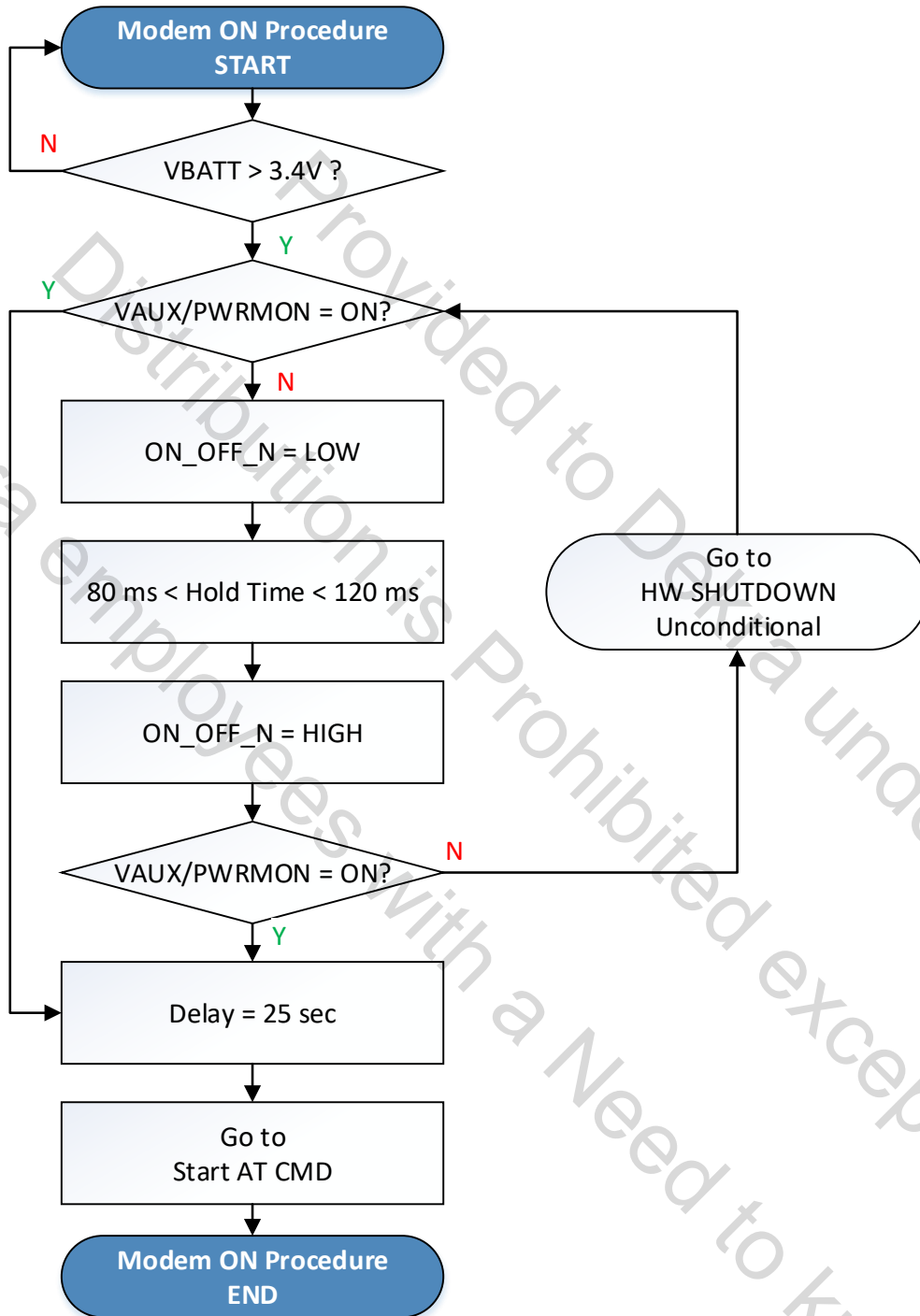
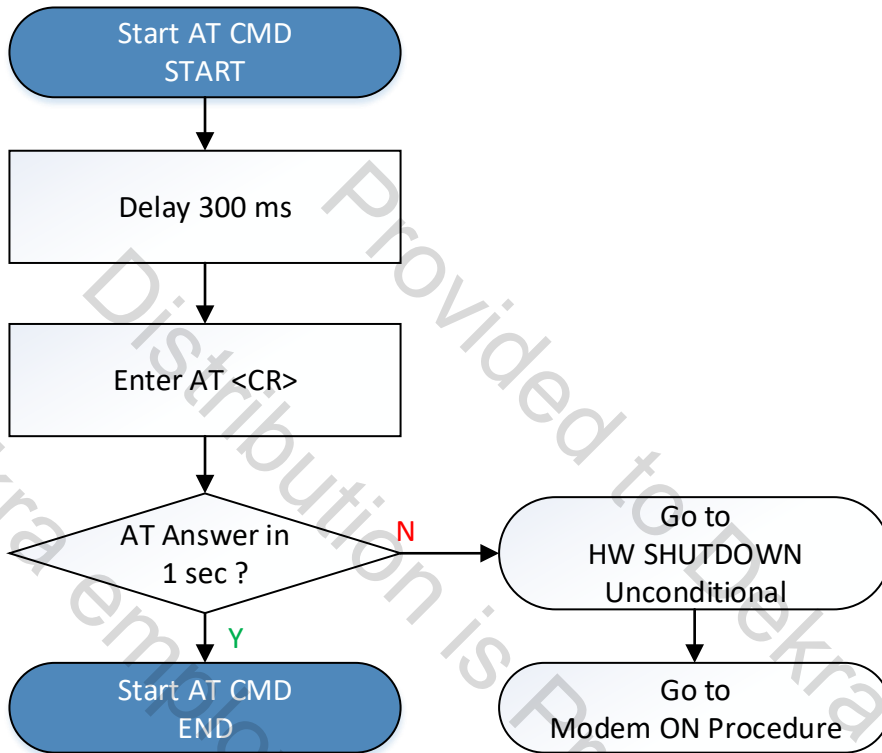


Figure 6 shows a flow chart illustrating the AT commands managing procedure.

Figure 6: AT Command Managing Flow Chart



5.3. Turning off the LE940B6 Module

Turning off the device can be done in four different ways:

- Shutdown by software command using AT#SHDN command
- Hardware shutdown using ON_OFF_N pad
- Hardware Unconditional Reset using the RESET_N pad
- Hardware Unconditional Shutdown using the SHDN_N pad

When the device is shut down by a software command or a hardware shutdown, it issues a detach request to the network, informing the network that the device will not be reachable any more.



NOTE:

To check if the device has powered off, monitor the VAUX/PWRMON hardware line. When VAUX/PWRMON goes low, this indicates that the device has powered off.



NOTE:

To avoid a back-powering effect, it is recommended to avoid having any HIGH logic level signal applied to the digital pins of the module when it is powered OFF or during an ON/OFF transition.



NOTE:

VBATT must be never removed before the proper OFF procedure is performed.



NOTE:

In case VBATT needs to be removed and applied again. The application must take into account the decay time of the power supply after VBATT is removed. VBATT input must be at zero volt before VBATT is reapplied.

5.3.1. Shutdown by Software Command

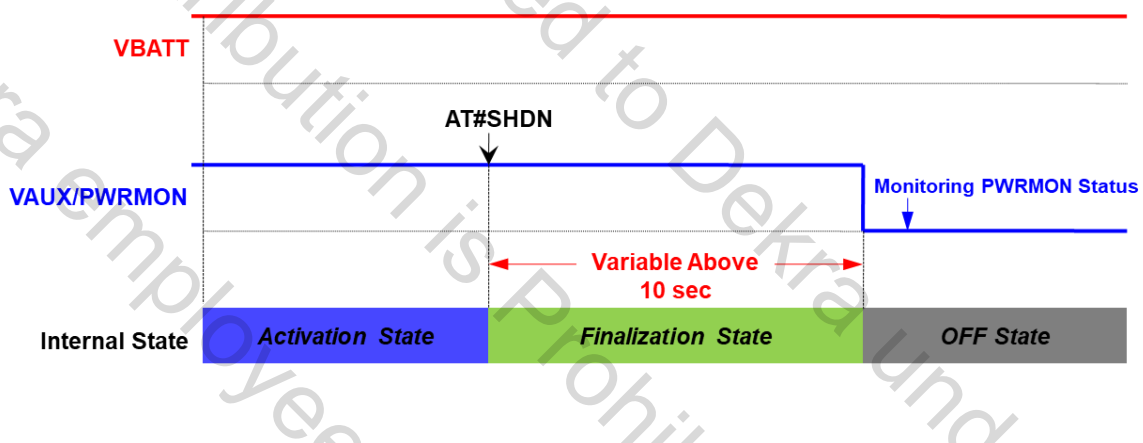
The LE940B6 module can be shut down by a software command.

When a shutdown command is sent, LE940B6 goes into the Finalization state and at the end of the finalization process shuts down VAUX/PWRMON.

The duration of the Finalization state can differ according to the current situation of the module, so a value cannot be defined.

Usually, it will take more than 10 seconds from sending a shutdown command until reaching a complete shutdown. The DTE host should monitor the status of VAUX/PWRMON to observe the actual power-off.

Figure 7: Shutdown by Software Command



NOTE:

To check whether the device has powered off, monitor the VAUX/PWRMON hardware line. When VAUX/PWRMON goes low, the device has powered off.

5.3.2. Hardware Shutdown

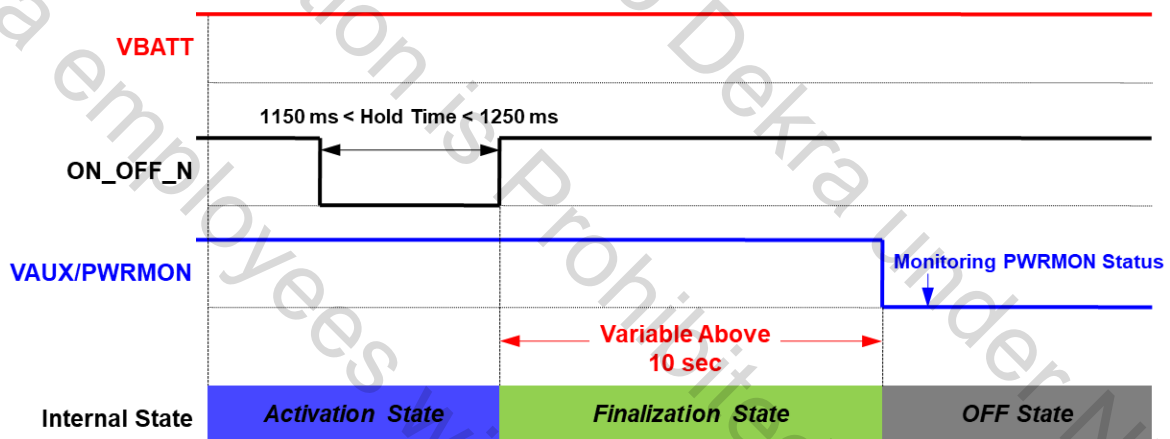
To turn off the LE940B6 module, the ON_OFF_N pad must be asserted low in the range of 1150 - 1250 milliseconds and then released. Use the same circuitry and timing for power-on.

When the ON_OFF_N is asserted low for a period in the range 1150 - 1250 milliseconds and then released, LE940B6 goes into the Finalization state and in the end shuts down VAUX/PWRMON.

The duration of the Finalization state can differ according to the current situation of the module, so a value cannot be defined.

Usually, it will take more than 10 seconds from sending a shutdown command until reaching a complete shutdown. The DTE host should monitor the status of VAUX/PWRMON to observe the actual power-off.

Figure 8: Hardware Shutdown



NOTE:

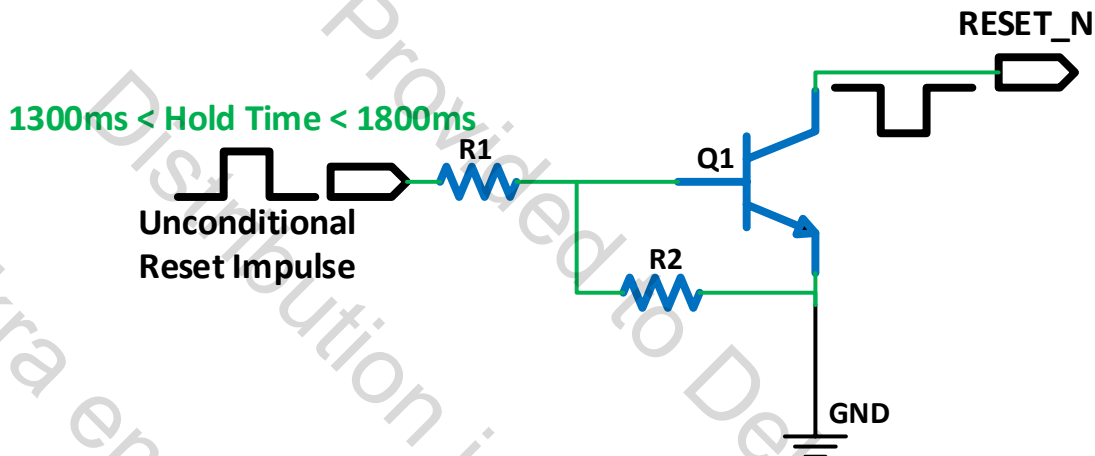
To check whether the device has powered off, monitor the VAUX/PWRMON hardware line. When VAUX/PWRMON goes low, the device has powered off.

5.3.3. Unconditional Hardware Reset (RESET_N)

To unconditionally restart the LE940B6 module, the RESET_N pad must be tied low in the range 1300 - 1800 milliseconds and then released.

Figure 9 shows a simple circuit for this action.

Figure 9: Circuit for Unconditional Hardware Reset



NOTE:

The Unconditional Hardware Reset must always be implemented on the boards, but the software must use it only as an emergency exit procedure, and not as a normal power-off operation.



NOTE:

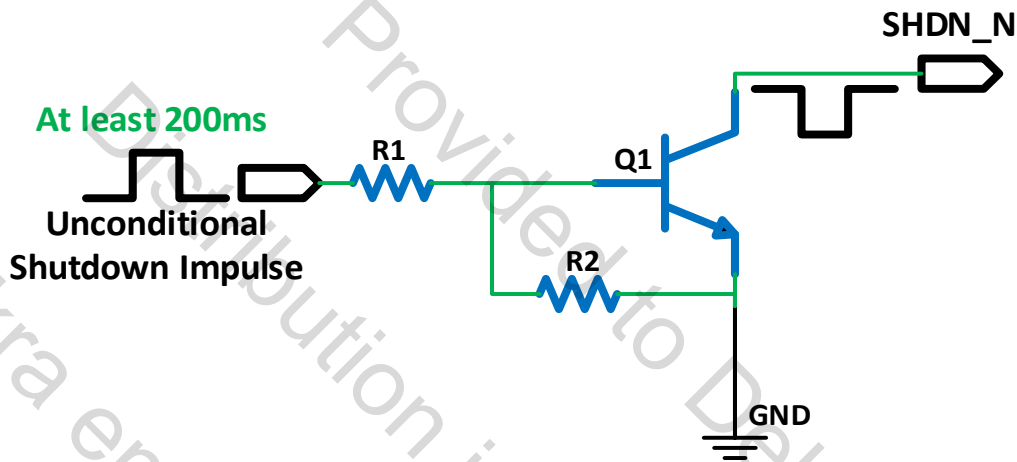
Do not use any pull-up resistor on the RESET_N line or any totem pole digital output. Using a pull-up resistor may cause latch-up problems on the LE940B6 power regulator and improper functioning of the module. The RESET_N line must be connected only in an open-collector configuration.

5.3.4. Unconditional Hardware Shutdown

To unconditionally shut down the LE940B6 module, the SHDN_N pad must be tied low for at least 200 milliseconds and then released.

Figure 10 shows a simple circuit for applying an unconditional shutdown.

Figure 10: Circuit for Unconditional Hardware Shutdown



To check whether the device has powered off, monitor the VAUX/PWRMON hardware line. When VAUX/PWRMON goes low, the device has powered off.



NOTE:

Do not use any pull-up resistor on the SHDN_N line or any totem pole digital output. Using a pull-up resistor may cause latch-up problems on the LE940B6 power regulator and improper functioning of the module. The SHDN_N line must be connected only in an open-collector configuration.

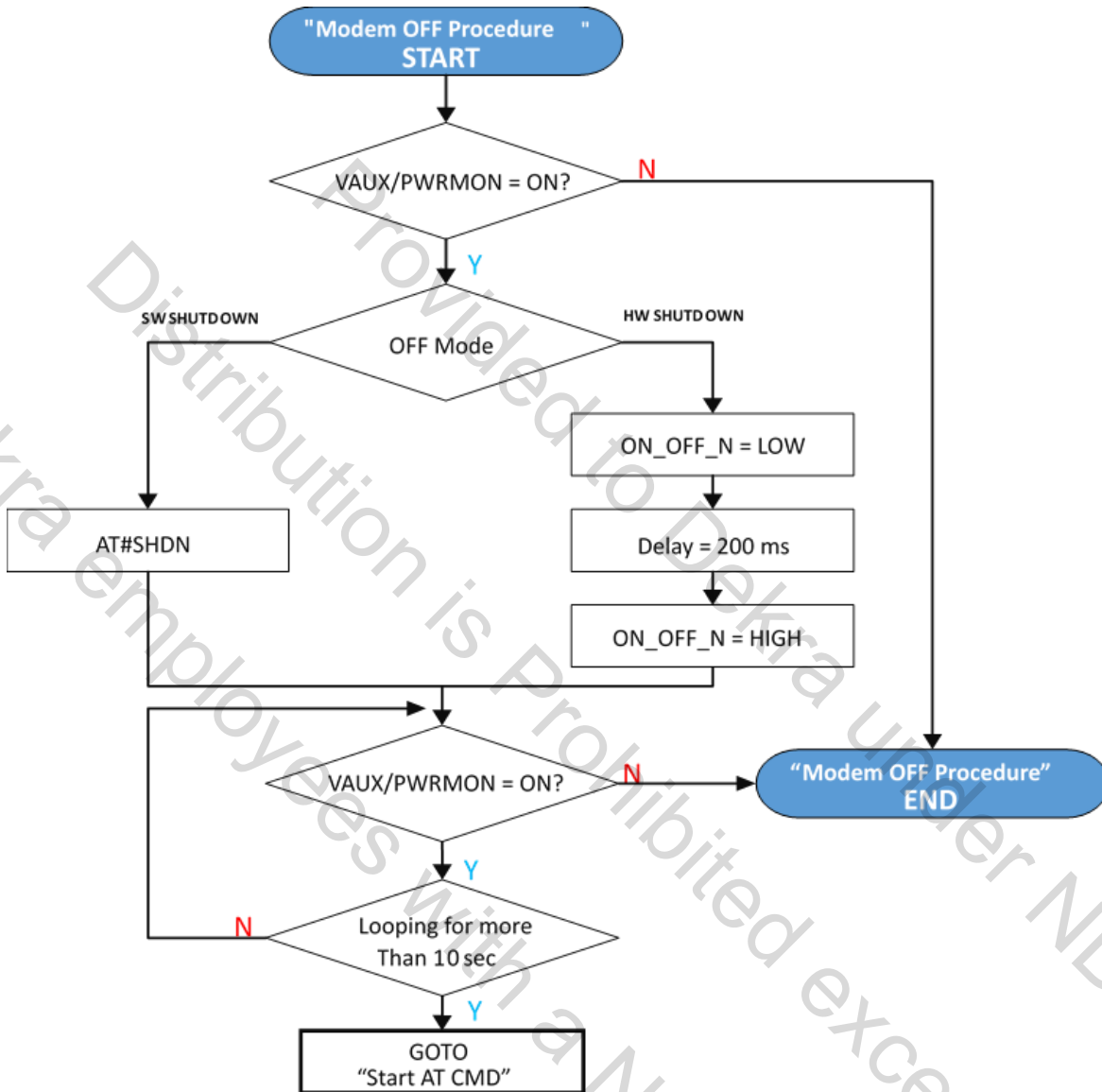


NOTE:

The Unconditional Hardware Shutdown (SHDN_N) must always be implemented on the boards, but the software must use it only as an emergency exit procedure, and not as a normal power-off operation.

Figure 11 shows a flow chart of the proper turn off procedure.

Figure 11: Turn Off Procedure



6. Power Supply

The power supply circuitry and board layout are very important parts of the full product design, with critical impact on the overall product performance. Read the following requirements and guidelines carefully to ensure a good and proper design.

6.1. Power Supply Requirements

The LE940B6 power requirements are as follows:

Table 19: Power Supply Requirements

| | |
|--|-------------|
| Nominal supply voltage | 3.8V |
| Supply voltage range | 3.4V – 4.2V |
| Max ripple on module input supply | 30 mV |

Table 20 provides typical current consumption values of LE940B6 for the various available modes.

Table 20: LE940B6 Current Consumption

| Mode | | Average (Typ.) | Mode Description |
|--|-------|---|---|
| Switched Off | | | |
| Switched off | | 0.1 mA | Module supplied but switched Off |
| Idle Mode (Standby Mode; No Call in Progress) | | | |
| AT+CFUN=4 | | 2.5 mA | Tx and Rx disabled; module is not registered on the network (Flight mode) |
| DRx | GSM | 4.7 mA | DRx5 |
| | WCDMA | 4.7 mA | DRx6 |
| | | 3.6 mA | DRx7 |
| | | 3.1 mA | DRx8 |
| | | 2.8 mA | DRx9 |
| | LTE | 7.7 mA | Paging cycle #32 frames (0.32 sec DRx cycle) |
| | | 5.1 mA | Paging cycle #64 frames (0.64 sec DRx cycle) |
| | | 3.8 mA | Paging cycle #128 frames (1.28 sec DRx cycle) |
| 3.2 mA | | Paging cycle #256 frames (2.56 sec DRx cycle) | |

| Mode | Average (Typ.) | Mode Description |
|-------------------------------|----------------|--|
| Operative Mode (LTE) | | |
| LTE (0dBm) | 350 mA | LTE data call (Non-CA BW 5 MHz, RB=1) |
| | 600 mA | LTE data call (CA BW 20 + 20 MHz, Full RB, FDD 300 Mbps DL / 50 Mbps UL) without Ethernet cable connection and Loopback mode. |
| | 850 mA | LTE data call (CA BW 20 + 20 MHz, Full RB, FDD 300 Mbps DL / 50 Mbps UL) with Ethernet cable connection (current consumption of Ethernet PHY not included) |
| LTE (23dBm) | 900 mA | LTE data call (Non-CA BW 5 MHz, RB=1) |
| | 1100 mA | LTE data call (CA BW 20 + 20 MHz, Full RB, FDD 300 Mbps DL / 50 Mbps UL) without Ethernet cable connection and Loopback mode. |
| | 1350 mA | LTE data call (CA BW 20 + 20 MHz, Full RB, FDD 300 Mbps DL / 50 Mbps UL) with Ethernet cable connection (current consumption of Ethernet PHY not included) |
| Operative Mode (WCDMA) | | |
| WCDMA Voice | 800 mA | WCDMA voice call (Tx = 23 dBm) |
| WCDMA HSDPA (0 dBm) | 350 mA | WCDMA data call (DC-HSDPA up to 42 Mbps, Max Throughput) without Ethernet cable connection and Loopback mode |
| | 600 mA | WCDMA data call (DC-HSDPA up to 42 Mbps, Max Throughput) with Ethernet cable connection (current consumption of Ethernet PHY not included) |
| WCDMA HSDPA (23 dBm) | 800 mA | WCDMA data call (DC-HSDPA up to 42 Mbps, Max Throughput) without Ethernet cable connection and Loopback mode |
| | 1050 mA | WCDMA data call (DC-HSDPA up to 42 Mbps, Max Throughput) with Ethernet cable connection (current consumption of Ethernet PHY not included) |

| Mode | Average (Typ.) | Mode Description |
|-----------------------------|----------------|--------------------------------|
| Operative Mode (GSM) | | |
| GSM Tx and Rx mode | | |
| GSM 850/900 PL5 | 360 mA | GSM voice call |
| GSM 1800/1900 PL0 | 300 mA | |
| GPRS 4 Tx + 1 Rx | | |
| GSM 850/900 PL5 | 750 mA | GPRS Sending Data mode (CS-4) |
| DCS 1800/1900 PL0 | 550 mA | |
| EGPRS 4 Tx + 1 Rx | | |
| GSM 850/900 PL8 | 550 mA | GPRS Sending Data mode (MCS-5) |
| DCS 1800/1900 PL2 | 500 mA | |

* Worst/best case current values depend on network configuration, not under module control.

** Applied MPR -2dB 16-QAM full RB

*** 3.8V voltage/room temperature



NOTE:

Differences in measurement technique, equipment, or temperature can cause variations in current consumption measurements.



NOTE:

The electrical design for the power supply must ensure a peak current output of at least 2.0A.

**NOTE:**

In GSM/GPRS mode, RF transmission is not continuous, but is packed into bursts at a base frequency of about 216 Hz with relative current peaks as high as about 2.0A. Therefore, the power supply must be designed to withstand these current peaks without big voltage drops. This means that both the electrical design and the board layout must be designed for this current flow.

If the layout of the PCB is not well designed, a strong noise floor is generated on the ground. This will reflect on all the audio paths producing an audible annoying noise at 216 Hz.

If the voltage drops during the peaks, current absorption is too high. The device may even shut down as a consequence of the supply voltage drop.

6.2. General Design Rules

The principal guidelines for the Power Supply Design embrace three different design steps:

- Electrical design
- Thermal design
- PCB layout

6.2.1. Electrical Design Guidelines

The electrical design of the power supply depends strongly on the power source where this power is drained. Power sources can be distinguished by three categories:

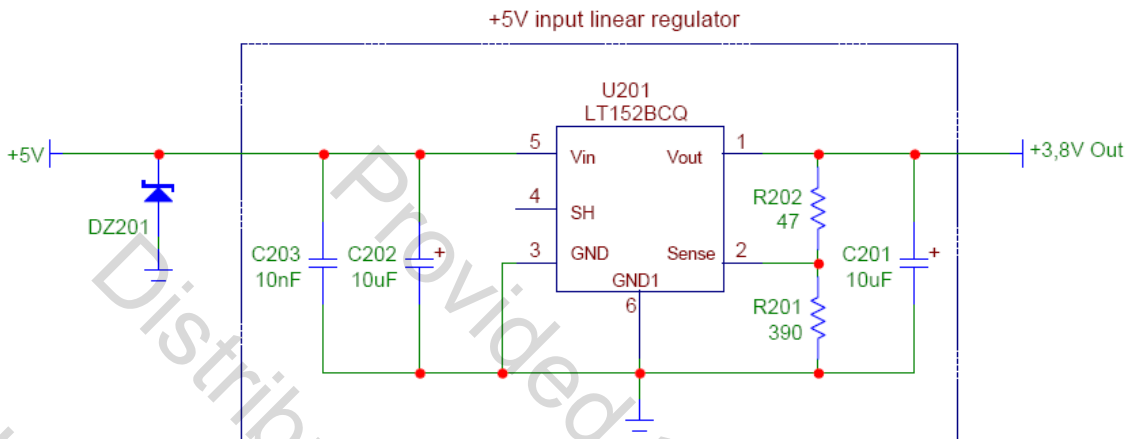
- +5V input (typically PC internal regulator output)
- +12V input (typically automotive)
- Battery

6.2.1.1. + 5V Input Source Power Supply – Design Guidelines

- The desired output for the power supply is 3.8V. So, the difference between the input source and the desired output is not big, and therefore a linear regulator can be used. A switching power supply is preferred to reduce power consumption.
- When using a linear regulator, a proper heat sink must be provided to dissipate the power generated.
- A bypass low ESR capacitor of adequate capacity must be provided to cut the current absorption peaks close to the LE940B6 module. A 100 μ F tantalum capacitor is usually suitable on both VBATT and VBATT_PA power lines.
- Make sure that the low ESR capacitor on the power supply output (usually a tantalum one) is rated at least 10V.
- A protection diode must be inserted close to the power input to protect the LE940B6 module from power polarity inversion.

Figure 12 shows an example of linear regulator with 5V input.

Figure 12: Example of Linear Regulator with 5V Input



6.2.1.2. + 12V Input Source Power Supply – Design Guidelines

- The desired output for the power supply is 3.8V. Due to the big difference between the input source and the desired output, a linear regulator is unsuitable and must not be used. A switching power supply is preferable because of its better efficiency, especially with the 2A peak current load expected when working with the LE940B6.
- When using a switching regulator, a 500-kHz or higher switching frequency regulator is preferable because of its smaller inductor size and its faster transient response. This allows the regulator to respond quickly to the current peaks absorption.
- In any case, the selection of the frequency and switching design is related to the application to be developed due to the fact that the switching frequency can also generate EMC interference.
- For car batteries (lead-acid accumulators) the input voltage can rise up to 15.8V. This must be kept in mind when choosing components: all components in the power supply must withstand this voltage.
- A bypass low ESR capacitor of adequate capacity must be provided to cut the current absorption peaks. A 100µF tantalum capacitor is usually suitable on VBATT & VBATT_PA power lines.
- Make sure that the low ESR capacitor on the power supply output (usually a tantalum one) is rated at least 10V.
- For automotive applications, a spike protection diode must be inserted close to the power input to clean the supply of spikes.
- A protection diode must be inserted close to the power input to protect the LE940B6 module from power polarity inversion. This can be the same diode as for spike protection.

Figure 13 and Figure 14 show an example of switching regulator with 12V input.

Figure 13: Example of Switching Regulator with 12V Input – Part 1

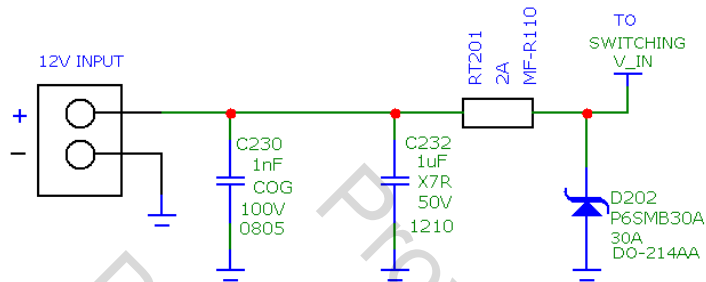
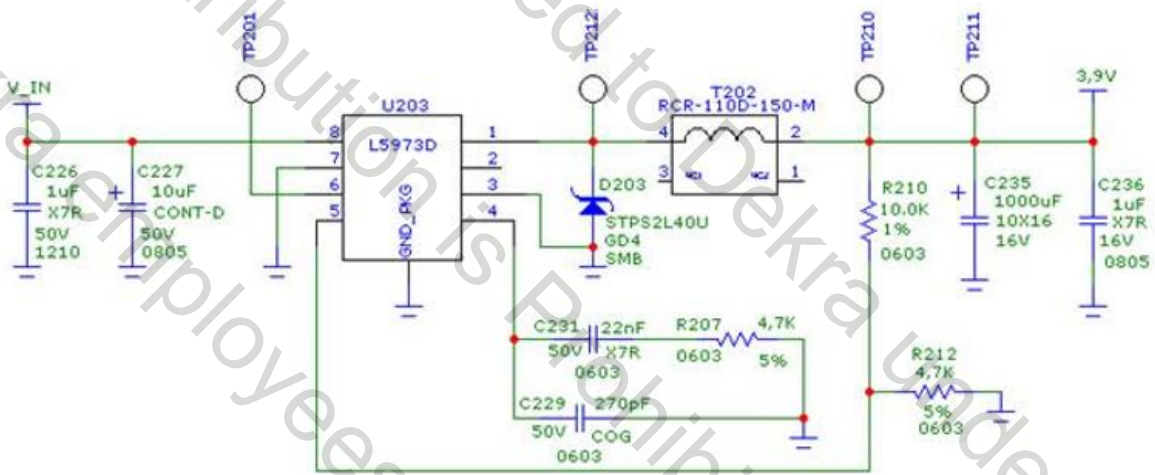


Figure 14: Example of Switching Regulator with 12V Input – Part 2



6.2.1.3. Battery Source Power Supply – Design Guidelines

- The desired nominal output for the power supply is 3.8V, and the maximum allowed voltage is 4.2V. Hence, a single 3.7V Li-Ion cell battery type is suitable for supplying the power to the LE940B6 module.

**NOTE:**

Do not use any Ni-Cd, Ni-MH, and Pb battery types directly connected to the LE940B6 module. Their use can lead to overvoltage on the LE940B6 and damage it. Use only Li-Ion battery types.

- A bypass low ESR capacitor of adequate capacity must be provided to cut the current absorption peaks; a 100µF tantalum capacitor is usually suitable.
- Make sure that the low ESR capacitor (usually a tantalum one) is rated at least 10V.
- A protection diode must be inserted close to the power input to protect the LE940B6 module from power polarity inversion. Otherwise, the battery connector must be done in a way to avoid polarity inversions when connecting the battery.
- The battery capacity must be at least 500 mAh to withstand the current peaks of 2A. The suggested capacity is from 500 mAh to 1000 mAh.

6.2.2. Thermal Design Guidelines

The thermal design for the power supply heat sink must be done with the following specifications:

- Average current consumption during LTE 2xCA DL Max throughput @PWR level max in LE940B6: 1250 mA

**NOTE:**

The average consumption during transmission depends on the power level at which the device is requested to transmit via the network. Therefore, the average current consumption varies significantly.

In LTE mode, the LE940B6 emits RF signals continuously during transmission. Therefore, pay special attention to how the generated heat is dissipated.

The current consumption is up to about 1250 mA in 2xCA Max throughput, and 1250 mA in LTE continuously at the maximum Tx output power 23.0 dBm.

The current consumption is up to about 1250 mA continuously at the maximum Tx output power (23 dBm). Therefore, make sure on the PCB used to mount LE940B6, that the area under the LE940B6 module is as large as possible. Make sure that the LE940B6 is mounted on the large ground area of application board and provide many ground vias to dissipate the heat.

6.2.3. Power Supply PCB Layout Guidelines

As seen in the electrical design guidelines, the power supply must have a low ESR capacitor on the output to cut the current peaks and a protection diode on the input to protect the supply from spikes and polarity inversion. The placement of these components is crucial for the correct operation of the circuitry. A misplaced component can be useless or can even decrease the power supply performances.

- The bypass low ESR capacitor must be placed close to the LE940B6 power input pads, or if the power supply is of a switching type, it can be placed close to the inductor to cut the ripple, as long as the PCB trace from the capacitor to LE940B6 is wide enough to ensure a drop-less connection even during the 2A current peaks.
- The protection diode must be placed close to the input connector where the power source is drained.
- The PCB traces from the input connector to the power regulator IC must be wide enough to ensure that no voltage drops occur during the 2A current peaks.

Note that this is not done to save power loss but especially to avoid the voltage drops on the power line at the current peaks frequency of 216 Hz that will reflect on all the components connected to that supply (also introducing the noise floor at the burst base frequency.)

For this reason while a voltage drop of 300-400 mV may be acceptable from the power loss point of view, the same voltage drop may not be acceptable from the noise point of view. If your application does not have an audio interface but only uses the data feature of the LE940B6, this noise is not so disturbing, and the power supply layout design can be more forgiving.

- The PCB traces to LE940B6 and the bypass capacitor must be wide enough to ensure that no significant voltage drops occur when the 2A current peaks are absorbed. This is needed for the same above-mentioned reasons. Try to keep these traces as short as possible.
- The PCB traces connecting the switching output to the inductor and the switching diode must be kept as short as possible by placing the inductor and the diode very close to the power switching IC (only for the switching power supply). This is done to reduce the radiated field (noise) at the switching frequency (usually 100-500 kHz).
- Use a good common ground plane.
- Place the power supply on the board in a way to guarantee that the high current return paths in the ground plane do not overlap any noise sensitive circuitry, such as the microphone amplifier/buffer or earphone amplifier.

- The power supply input cables must be kept separate from noise sensitive lines, such as microphone/earphone cables.

Provided to Dekra under NDA
Distribution is Prohibited except for
Dekra employees with a Need to know

7. Antenna(s)

Antenna connection and board layout design are the most important parts in the full product design, and they have a strong influence on the product's overall performance. Read carefully and follow the requirements and guidelines for a good and proper design.

7.1. GSM/WCDMA/TD-SCDMA/LTE Antenna Requirements

The antenna for the LE940B6 device must meet the following requirements:

Table 21: Primary Antenna Requirements

| | |
|--------------------------|--|
| Gain | Gain < 3 dBi |
| Impedance | 50 Ohm |
| Input power | > 33 dBm(2 W) peak power in GSM > 24 dBm average power in WCDMA & LTE |
| VSWR absolute max | <= 10:1 |
| VSWR recommended | <= 2:1 |

The antenna for a specific car model must support a given set of RF bands. This set is determined by the region variant and the specific set of bands within (either the full band set offered by Titan or a subset per the customer choice). The antenna must have the proper bandwidth to support the required set of bands and meet the other performance figures according to the Table 21, along the full bandwidth. The RF bands supported in each region variant are detailed in Section [2.5.1, RF Bands per Regional Variant](#).

Since there is no antenna connector on the LE940B6 module, the antenna must be connected to the LE940B6 antenna pad (AD1) by a transmission line implemented on the PCB.

If the antenna is not directly connected to the antenna pad of the LE940B6, a PCB line is required to connect to it or to its connector.

7.2. GSM/WCDMA/TD-SCDMA/LTE Antenna – PCB Line Guidelines

- Make sure that the transmission line's characteristic impedance is 50 Ohm.
- Keep the line on the PCB as short as possible since the antenna line loss should be less than around 0.3 dB.
- Line geometry should have uniform characteristics, constant cross sections, and avoid meanders and abrupt curves.
- Any suitable geometry/structure can be used for implementing the printed transmission line affecting the antenna.
- If a ground plane is required in the line geometry, this plane must be continuous and sufficiently extended so the geometry can be as similar as possible to the related canonical model.

- Keep, if possible, at least one layer of the PCB used only for the ground plane. If possible, use this layer as reference ground plane for the transmission line.
- Surround the PCB transmission line with ground (on both sides). Avoid having other signal tracks facing the antenna line track directly.
- Avoid crossing any un-shielded transmission line footprint with other tracks on different layers.
- The ground surrounding the antenna line on the PCB must be strictly connected to the main Ground plane by means of via-holes (once per 2 mm at least) placed close to the ground edges facing the line track.
- Place EM-noisy devices as far as possible from LE940B6 antenna line.
- Keep the antenna line far away from the LE940B6 power supply lines.
- If EM-noisy devices are present on the PCB hosting the LE940B6, such as fast switching ICs, take care to shield them with a metal frame cover.
- If EM-noisy devices are not present around the line, geometries like Micro strip or Grounded Coplanar Waveguide are preferred because they typically ensure less attenuation compared to a Strip line having the same length.

This transmission line must meet the following requirements:

Table 22: Antenna Line on PCB Requirements

| | |
|--|--------|
| Characteristic impedance | 50 Ohm |
| Max attenuation | 0.3 dB |
| Avoid coupling with other signals. | |
| Cold End (Ground Plane) of the antenna must be equipotential to the LE940B6 ground pads. | |

Furthermore if the device is developed for the US and/or Canada market, it must comply with the FCC and/or IC approval requirements:

This device is to be used only for mobile and fixed application. The antenna(s) used for this transmitter must be installed to provide a separation distance of at least 20 cm from all persons and must not be co-located or operating in conjunction with any other antenna or transmitter. End-Users must be provided with transmitter operation conditions for satisfying RF exposure compliance. OEM integrators must ensure that the end user has no manual instructions to remove or install the LE940B6 module. Antennas used for this OEM module must not exceed 3dBi gain for mobile and fixed operating configurations.

7.3. GSM/WCDMA/TD-SCDMA/LTE Antenna – Installation Guidelines

- Install the antenna in a location with access to the network radio signal.
- The antenna must be installed such that it provides a separation distance of at least 20 cm from all persons and must not be co-located or operating in conjunction with any other antenna or transmitter.
- The antenna must not be installed inside metal cases.
- The antenna must be installed according to the antenna manufacturer's instructions.

7.4. Secondary Antenna Requirements

This product includes an input for a second Rx antenna to improve radio sensitivity. The function is called Antenna Diversity.

Since there is no antenna connector on the LE940B6 module, the antenna must be connected to the LE940B6 antenna pad by means of a transmission line implemented on the PCB.

If the antenna is not directly connected at the antenna pad of the LE940B6 (AU9), a PCB line is required to connect to it or to its connector.

The second Rx antenna must not be located in close vicinity of the main antenna. To improve diversity gain and isolation and to reduce mutual interaction, the two antennas should be located at the maximum reciprocal distance possible, taking into consideration the available space within the application.

**NOTE:**

If Rx Diversity is not used/connected, disable the Diversity functionality using the AT+XRXDIV command (refer to Ref 1: LE940B6 AT Command Reference Guide) and connect the Diversity pad AU9 to a 50 Ohm termination.

7.5. PCB Guidelines in Case of FCC Certification

If FCC certification is required for an application using LE940B6-NA, according to FCC KDB 996369 for modular approval requirements, the transmission line must be similar to the one implemented on the module's interface board and described in the following chapter.

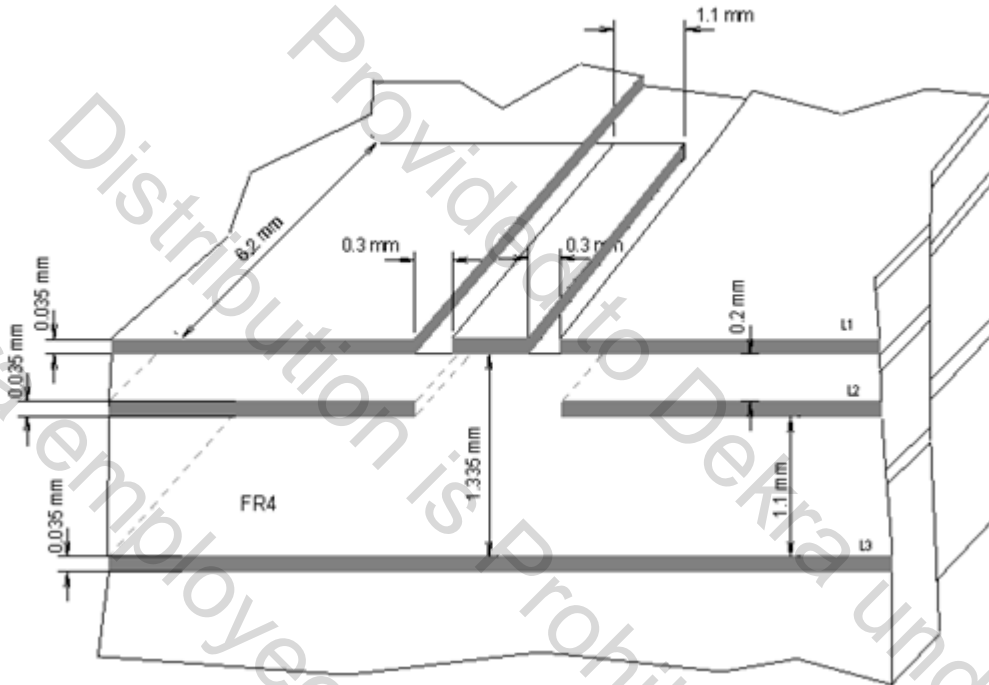
7.5.1. Transmission Line Design

During the design of the interface board, the placement of components has been chosen properly to keep the line length as short as possible, thus leading to lowest power losses possible. A Grounded Coplanar Waveguide (G-CPW) line has been chosen, since this kind of transmission line ensures good impedance control and can be implemented in an outer PCB layer as needed in this case. A SMA female connector has been used to feed the line.

The interface board is realized on a FR4, 4-layers PCB. Substrate material is characterized by relative permittivity $\epsilon_r = 4.6 \pm 0.4 @ 1 \text{ GHz}$, $\text{TanD} = 0.019 \pm 0.026 @ 1 \text{ GHz}$.

A characteristic impedance of nearly 50Ω is achieved using trace width = 1.1 mm, clearance from coplanar ground plane = 0.3 mm on each side. The line uses a reference ground plane on Layer 3, while copper is removed from Layer 2 underneath the line. Height of trace above the ground plane is 1.335 mm. Calculated characteristic impedance is 51.6Ω , estimated line loss is less than 0.1 dB. The line geometry is shown below.

Figure 15: Line Geometry



7.5.2. Transmission Line Measurements

E5071C NA (Full-4-port calibration) has been used in this measurement session. A calibrated coaxial cable has been soldered at the pad corresponding to RF output; a SMA connector has been soldered to the board to characterize the losses of the transmission line including the connector itself. During return loss / impedance measurements, the transmission line has been terminated to a load of 50Ω .

Figure 16 illustrates the return loss plot of line under test.

Figure 16: Return Loss Plot of Line Under Test

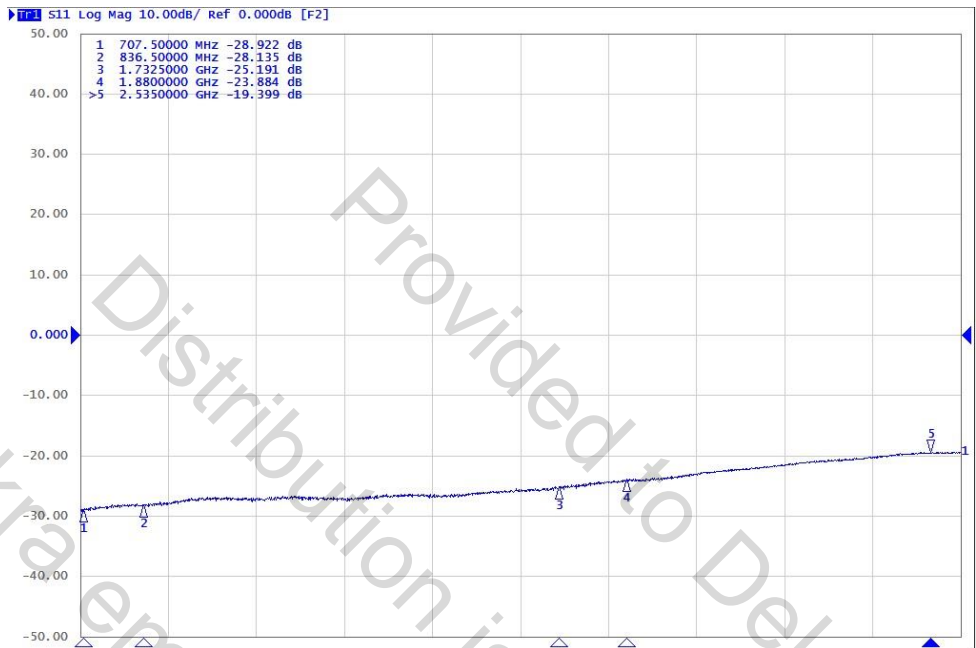
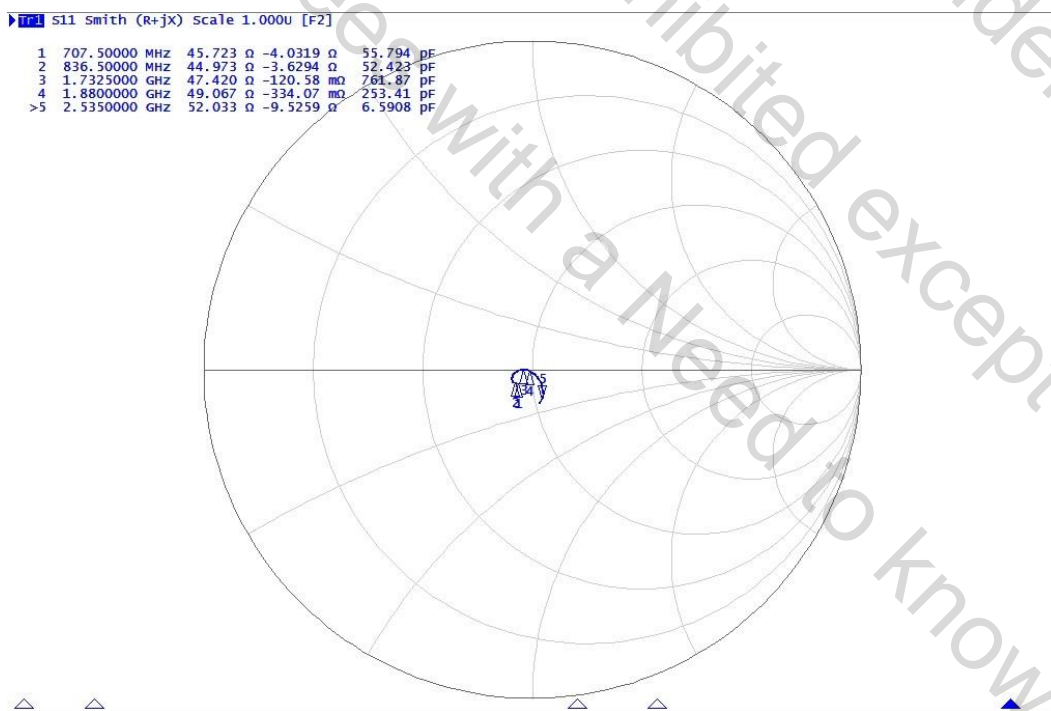


Figure 17 shows the line input impedance (in Smith Chart format, once the line has been terminated to a load of 50 Ω).

Figure 17: Line Input Impedance



8. Hardware Interfaces

Table 23 summarizes all the hardware interfaces of the LE940B6 module.

Table 23: LE940B6 Hardware Interfaces

| LE940B6 (XMM7272 CAT6) | |
|------------------------|---|
| Ethernet | RMII/RGMII |
| USB | USB2.0 |
| SPI | Master only, up to 26 MHz (104 MHz @ Kernel CLK/4) |
| I2C | For sensors, audio control |
| UART | x1 UART for AT (up to 4.8 Mbps) x1 UART for diagnosis (up to 4.8 Mbps) x1 UART for GNSS or external controller (up to 4.8 Mbps) |
| Audio I/F | I2S/PCM, Analog audio |
| GPIO | 15 dedicated GPIO |
| USIM | X2, dual voltage each (1.8/2.9V); SIM chip integration not possible |
| ADC | Up to x3 |
| Antenna ports | 2 for Cellular, 1 for GNSS |

8.1. USB Port

The LE940B6 module includes a Universal Serial Bus (USB) transceiver, which operates at USB high-speed (480Mbits/sec). It can also operate with USB full-speed hosts (12Mbits/sec).

It is compliant with the USB 2.0 specification and can be used for control and data transfers as well as for diagnostic monitoring and firmware update.



NOTE:

With the LE940B6 module, firmware updates by the host are only possible via USB and not possible via UART. The reason is that Titan considers it impractical to transfer firmware binaries exceeding 100Mb via UART.

The USB port is typically the main interface between the LE940B6 module and OEM hardware.



NOTE:

The USB_D+ and USB_D- signals have a clock rate of 480 MHz. The signal traces must be routed carefully. Minimize trace lengths, number of vias, and capacitive loading. The impedance value should be as close as possible to 90 Ohms differential.

The pull-up, pull-down and series resistors on pins USB_D+ and USB_D- as required by the USB 2.0 specification are included inside the module.

Table 24 lists the USB interface signals.

Table 24: USB Interface Signals

| Signal | Pad No. | Usage |
|----------|---------|--|
| USB_VBUS | A18 | Power and cable detection for the internal USB transceiver. Acceptable input voltage range 2.5V – 5.5V @ max 5 mA consumption |
| USB_D- | F19 | Minus (-) line of the differential, bi-directional USB signal to/from the peripheral device |
| USB_D+ | D19 | Plus (+) line of the differential, bi-directional USB signal to/from the peripheral device |

**NOTE:**

USB_VBUS input power is internally used to detect the USB port and start the enumeration process. It is not used for supplying power to the internal LE940B6 USB HW block.

**NOTE:**

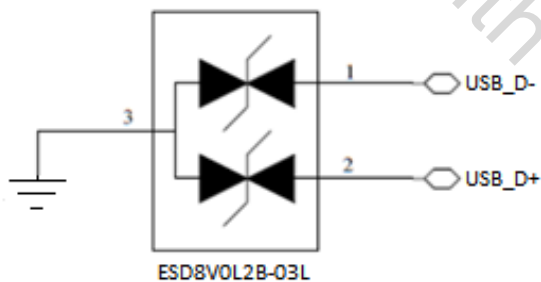
Even if USB communication is not used, it is still highly recommended to place an optional USB connector on the application board. At least test points of the USB signals are required since the USB physical communication is needed in the case of SW update.

**WARNING:**

Consider placing low-capacitance ESD protection device to protect LE940B6 against ESD strikes.

If an ESD protection should be added, the suggested connectivity is as follows:

Figure 18: ESD Protection for USB2.0



8.2. Serial Ports

The serial port is typically a secondary interface between the LE940B6 module and OEM hardware. The following serial ports are available on the module:

- [Modem Serial Port 1 \(Main\)](#)
- [Modem Serial Port 2 \(Auxiliary\)](#)
- [Modem Serial Port 3 \(GNSS\)](#)

Several serial port configurations can be designed for the OEM hardware. The most common are:

- RS232 PC com port
- Microcontroller UART @ 1.8V (Universal Asynchronous Receive Transmit)
- Microcontroller UART @ 3.3V/5V or other voltages different from 1.8V

Depending on the type of serial port on OEM hardware, level translator circuits may be needed to make the system operate. The only configuration that does not need level translation is the 1.8V UART. The LE940B6 UART has CMOS levels as described in [Section 4.3.1, 1.8V Standard GPIOs](#).

8.2.1. Modem Serial Port 1

Serial Port 1 is a +1.8V UART, having all the 8 RS232 signals. It differs from the PC-RS232 in the signal polarity (RS232 is reversed) and levels. Table 25 lists the signals of LE940B6 Serial Port 1.

Table 25: Modem Serial Port 1 Signals

| RS232 Pin# | Signal | Pad No. | Name | Usage |
|------------|-------------------|---------|-------------------------------|---|
| 1 | DCD - DCD_UART | AE18 | Data Carrier Detect | Output from LE940B6 that indicates carrier presence |
| 2 | RXD - TX_UART | AF19 | Transmit line *see Note | Output transmit line of LE940B6 UART |
| 3 | TXD - RX_UART | AH19 | Receive line *see Note | Input receive line of LE940B6 UART |
| 4 | DTR - DTR_UART | AC18 | Data Terminal Ready | Input to LE940B6 that controls the DTE READY condition |
| 5 | DSR - DSR_UART | AG18 | Data Set Ready | Output from LE940B6 that indicates that the module is ready |
| 6 | RTS - RTS_UART | AA18 | Request to Send | Input to LE940B6 controlling the Hardware flow control |

| RS232 Pin# | Signal | Pad No. | Name | Usage |
|------------|-------------------|---------|-------------------|---|
| 7 | CTS - CTS_UART | AK19 | Clear to Send | Output from LE940B6 controlling the Hardware flow control |
| 8 | RI - RI_UART | AJ18 | Ring Indicator | Output from LE940B6 indicating the Incoming call condition |

**NOTE:**

To avoid a back-powering effect, it is recommended to avoid having any HIGH logic level signal applied to the digital pins of the module when it is powered OFF or during an ON/OFF transition.

**NOTE:**

For minimum implementations, only the TXD and RXD lines need be connected. The other lines can be left open provided a software flow control is implemented.

**NOTE:**

According to V.24, Rx/Tx signal names refer to the application side; therefore, on the LE940B6 side, these signal are in the opposite direction: TXD on the application side will be connected to the receive line (here named TXD/ RX_UART) of the LE940B6 serial port and vice versa for Rx.

8.2.2. Modem Serial Port 2

On the LE940B6, Serial Port 2 is a +1.8V UART with Rx and Tx signals only.

Table 26 lists the signals of the LE940B6 Serial Port 2.

Table 26: Modem Serial Port 2 Signals

| PAD | Signal | I/O | Function | Type | Comment |
|------|---------|-----|---------------------------------|------|---------|
| AB19 | TXD_AUX | O | Auxiliary UART (Tx Data to DTE) | 1.8V | |
| AD19 | RXD_AUX | I | Auxiliary UART (Rx Data to DTE) | 1.8V | |

**NOTE:**

To avoid a back-powering effect, it is recommended to avoid having any HIGH logic level signal applied to the digital pins of the module when it is powered OFF or during an ON/OFF transition.

**NOTE:**

The Auxiliary UART is used as the SW main debug console. It is required to place test points on this interface even if not used.

8.2.3. Modem Serial Port 3

Serial port 3 is a +1.8V UART with all 4 RS232 signals. It differs from the PC-RS232 in the signal polarity (RS232 is reversed) and levels. Table 27 lists the signals of the LE940B6 Serial Port 3.

Table 27: Modem Serial Port 3 Signals

| PAD | Signal | I/O | Function | Type | Comment |
|------|-----------|-----|--|------|---------|
| AM9 | UART3_TXD | I | Serial data input (TXD) from DTE | 1.8V | |
| AM11 | UART3_RXD | O | Serial data output (RXD) to DTE | 1.8V | |
| AM13 | UART3_RTS | I | Input for Request to Send (RTS) from DTE | 1.8V | |
| AM15 | UART3_CTS | O | Output for Clear to Send (CTS) to DTE | 1.8V | |

**NOTE:**

To avoid a back-powering effect, it is recommended to avoid having any HIGH logic level signal applied to the digital pins of the module when it is powered OFF or during an ON/OFF transition.

8.2.4. RS232 Level Translation

To interface the LE940B6 with a PC COM port or an RS232 (EIA/TIA-232) application, a level translator is required. This level translator must perform the following actions:

- Invert the electrical signal in both directions
- Change the level from 0/1.8V to +15/-15V

The RS232 UART 16450, 16550, 16650 & 16750 chipsets accept signals with lower levels on the RS232 side (EIA/TIA-562), allowing a lower voltage-multiplying ratio on the level translator. Note that the negative signal voltage must be less than 0V and hence some sort of level translation is always required.

The simplest way to translate the levels and invert the signal is by using a single chip-level translator. There are a multitude of them, differing in the number of drivers and receivers and in the levels (be sure to get a true RS232 level translator, not a RS485 or other standards).

By convention, the driver is the level translator from the 0-1.8V UART to the RS232 level. The receiver is the translator from the RS232 level to 0-1.8V UART. To translate the whole set of control lines of the UART, the following is required:

- 2 drivers
- 2 receivers

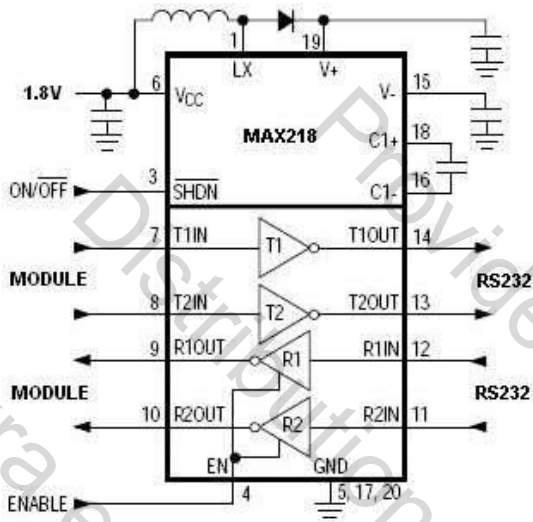


WARNING:

The digital input lines, operating at 1.8V CMOS levels, have absolute maximum input voltage of 2.0V. The level translator IC outputs on the module side (i.e. LE940B6 inputs) will cause damage to the module inputs if the level translator is powered with +3.8V power. So the level translator IC must be powered from a dedicated +1.8V power supply.

As an example, RS232 level adaption circuitry could use a MAXIM transceiver (MAX218). In this case, the chipset is capable of translating directly from 1.8V to the RS232 levels (example on 4 signals only).

Figure 19: RS232 Level Adaption Circuitry Example

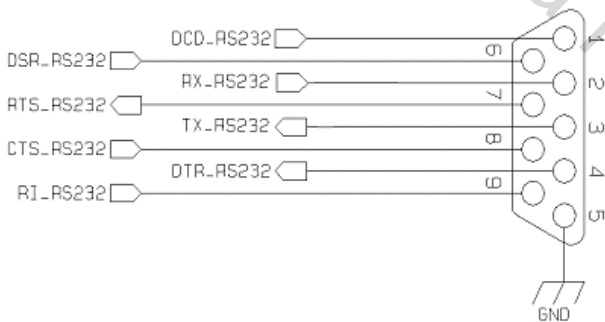


NOTE:

In this case, the length of the lines on the application must be taken into account to avoid problems in the case of high-speed rates on RS232.

The RS232 serial port lines are usually connected to a DB9 connector as shown in Figure 20. Signal names and directions are named and defined from the DTE point of view.

Figure 20: RS232 Serial Port Lines Connection Layout



8.3. Peripheral Ports

In addition to the LE940B6 serial ports, the LE940B6 supports the following peripheral ports:

- SPI – Serial Peripheral Interface
- I2C - Inter-integrated circuit
- Ethernet – Ethernet PHY Interface

8.3.1. SPI – Serial Peripheral Interface

The LE940B6 SPI supports the following:

- Master Mode only
- 1.8V CMOS level
- Up to 26 MHz clock rate



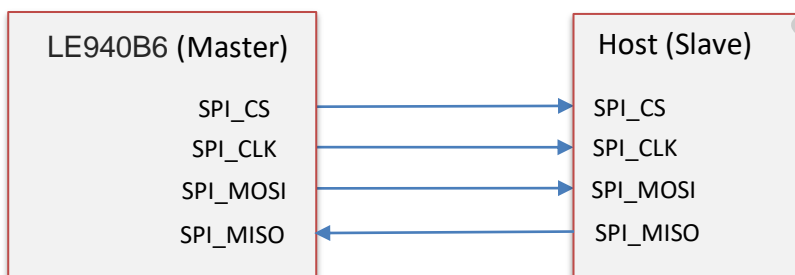
NOTE:

SPI is supported only on the Linux side.
The LE940B6 module supports Master mode only and cannot be configured as Slave mode.

Table 28: SPI Signals

| PAD | Signal | I/O | Function | Type | Comment |
|-----|----------|-----|------------------------------------|------|---------|
| P19 | SPI_CLK | O | SPI clock output | 1.8V | |
| M19 | SPI_MISO | I | SPI data Master input Slave output | 1.8V | |
| K19 | SPI_MOSI | O | SPI data Master output Slave input | 1.8V | |
| N18 | SPI_CS | O | SPI chip-select output | 1.8V | |

Figure 21: SPI Signal Connectivity



8.3.2. I2C - Inter-integrated Circuit

The LE940B6 I2C is an alternate function of GPIO 1-15 pins. Available only from Modem side as SW emulation of I2C on GPIO lines. Any GPIO can be configured as SCL or SDA. LE940B6 supports I2C Master Mode only.



NOTE:

SW emulated I2C on GPIO lines is supported only from the modem side. For more information, refer to Ref 1: LE940B6 AT Command Reference Guide for command settings.

8.4. Ethernet Interface

The LE940B6 has an integrated Ethernet interface to an external Ethernet PHY supporting 10M / 100M and 1G speed modes via a RGMII interface.

The Ethernet interface is target to be compliant with the RGMII and RMII specifications. The supported RGMII and RMII specification versions are:

- RGMII: Version 1.3, dated 12/10/2000, supporting up to 1000 Mbps operation
- RMII: Version 1.2, dated 03/20/1998, supporting up to 100 Mbps operation



NOTE:

Make sure to design the Ethernet interface carefully depending on the PHY chipset; contact Titan R&D for more details and guidelines.

Table 29: Ethernet Interface

| PAD | Signal | I/O | Function | Type | Comment |
|-----|------------|-----|-----------------------|----------|---------|
| G14 | MAC_MDC | O | Management Data Clock | 2.5/3.3V | |
| G12 | MAC_MDIO | I/O | Management Data I/O | 2.5/3.3V | |
| V16 | MAC_TXD[0] | O | RGMII or RMII TXD[0] | 2.5/3.3V | |
| T16 | MAC_TXD[1] | O | RGMII or RMII TXD[1] | 2.5/3.3V | |
| R16 | MAC_TXD[2] | O | RGMII TXD[2] | 2.5/3.3V | |
| N16 | MAC_TXD[3] | O | RGMII TXD[3] | 2.5/3.3V | |

| PAD | Signal | I/O | Function | Type | Comment |
|------|-------------|-----|---|----------|---------|
| L16 | MAC_GTX_CLK | O | RGMIIT Transmit Clock | 2.5/3.3V | |
| G16 | MAC_TXEN_ER | O | RGMIIT Transmit Enable /Error or RMII Transmit Enable | 2.5/3.3V | |
| AL16 | MAC_RXD[0] | I | RGMIIT or RMII RXD[0] | 2.5/3.3V | |
| AJ16 | MAC_RXD[1] | I | RGMIIT or RMII RXD[1] | 2.5/3.3V | |
| AG16 | MAC_RXD[2] | I | RGMIIT RXD[2] | 2.5/3.3V | |
| AE16 | MAC_RXD[3] | I | RGMIIT RXD[3] | 2.5/3.3V | |
| AC16 | MAC_RX_CLK | I | RGMIIT Receive Clock | 2.5/3.3V | |
| X16 | MAC_RXDV_ER | I | RGMIIT Receive Data Available/Error or RMII Receive Error | 2.5/3.3V | |
| G10 | ETH_INT_N | I | Ethernet PHY Interrupt | 2.5/3.3V | |
| G8 | ETH_RST_N | O | Ethernet PHY Reset Output | 2.5/3.3V | |

8.5. Audio Interface

The LE940B6 module supports analog and digital audio interfaces.

8.5.1. Analog Audio

The LE940B6 module provides an analog audio interface, a single differential input for the audio to be transmitted (Uplink), and a balanced output for the received audio (Downlink). The analog interface is on the following pins:

Table 30: Analog Audio Signals

| PAD | Signal | I/O | Function | Type | Comments |
|-----|----------|-----|----------------------------------|-------|----------|
| B5 | EAR1_MT+ | AO | Earphone signal output, phase + | Audio | |
| A4 | EAR1_MT- | AO | Earphone signal output, phase - | Audio | |
| B3 | MIC1_MT+ | AI | Microphone signal input, phase + | Audio | |
| A2 | MIC1_MT- | AI | Microphone signal input, phase - | Audio | |
| G6 | MICBIAS | AO | Microphone bias is 1.9~2.2V | Power | |

An application note will be prepared for detailed audio settings.

8.5.2. Digital Audio

The LE940B6 module can be connected to an external codec through the digital interface.

The product provides a single Digital Audio Interface (DVI) on the following pins:

Table 31: Digital Audio Interface (DVI) Signals

| PAD | Signal | I/O | Function | Type | Comments |
|-----|---------|-----|-------------------------------|-----------|----------|
| D11 | DVI_WA0 | O | Digital Audio Interface (WA0) | B-PD 1.8V | PCM_SYNC |
| C8 | DVI_RX | I | Digital Audio Interface (RX) | B-PD 1.8V | PCM_DIN |
| D9 | DVI_TX | O | Digital Audio Interface (TX) | B-PD 1.8V | PCM_DOUT |
| C10 | DVI_CLK | O | Digital Audio Interface (CLK) | B-PD 1.8V | PCM_CLK |

8.6. General Purpose I/O

The general-purpose I/O pads can be configured to act in three different ways:

- Input
- Output
- Alternative function (internally controlled)

Input pads can only be read, reporting digital values (high / low) present at the reading time. Output pads can only be written or queried and set values on the pad output. Alternative function can be internally controlled by LE940B6 firmware and act according to the implementation.

The type of GPIO can be set to Open-drain signaling; default type is CMOS mode.

Table 32: GPIOs

| PAD | Signal | I/O | Function | Type | Drive Strength |
|-----|---------|-----|-------------------|-----------|----------------|
| F9 | GPIO_01 | I/O | Configurable GPIO | CMOS 1.8V | 1 mA |
| E10 | GPIO_02 | I/O | Configurable GPIO | CMOS 1.8V | 1 mA |
| F11 | GPIO_03 | I/O | Configurable GPIO | CMOS 1.8V | 3 mA |
| E12 | GPIO_04 | I/O | Configurable GPIO | CMOS 1.8V | 3 mA |
| F13 | GPIO_05 | I/O | Configurable GPIO | CMOS 1.8V | 1 mA |
| E14 | GPIO_06 | I/O | Configurable GPIO | CMOS 1.8V | 3 mA |
| R18 | GPIO_07 | I/O | Configurable GPIO | CMOS 1.8V | 3 mA |
| S19 | GPIO_08 | I/O | Configurable GPIO | CMOS 1.8V | 3 mA |
| U19 | GPIO_09 | I/O | Configurable GPIO | CMOS 1.8V | 3 mA |
| W19 | GPIO_10 | I/O | Configurable GPIO | CMOS 1.8V | 3 mA |
| L18 | GPIO_11 | I/O | Configurable GPIO | CMOS 1.8V | 3 mA |
| J18 | GPIO_12 | I/O | Configurable GPIO | CMOS 1.8V | 3 mA |
| AN4 | GPIO_20 | I/O | Configurable GPIO | CMOS 1.8V | 3 mA |
| H1 | GPIO_21 | I/O | Configurable GPIO | CMOS 1.8V | 3 mA |
| K1 | GPIO_22 | I/O | Configurable GPIO | CMOS 1.8V | 4 mA |

**NOTE:**

To avoid a back-powering effect, it is recommended to avoid having any HIGH logic level signal applied to the digital pins of the module when it is powered OFF or during an ON/OFF transition.

**NOTE:**

LE940B6 GPIOs can also be used as alternate I2C function. Refer to Section 8.3.2, [I2C - Inter-integrated Circuit](#).

8.6.1. Using a GPIO Pad as Input

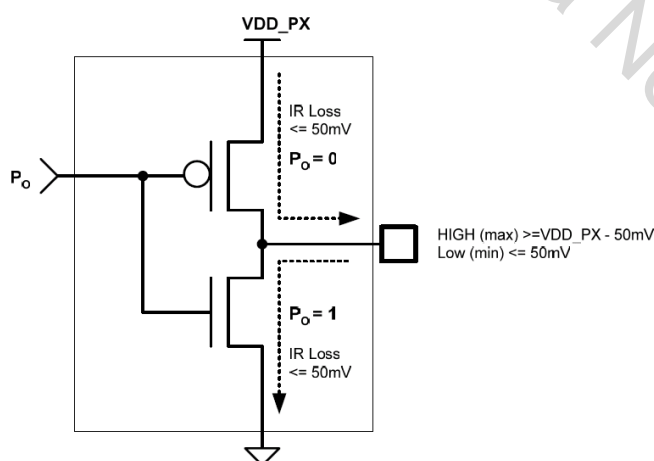
GPIO pads, when used as inputs, can be connected to a digital output of another device and report its status, provided this device has interface levels compatible with the 1.8V CMOS levels of the GPIO.

If the digital output of the device is connected with the GPIO input, the pad has interface levels different from the 1.8V CMOS. It can be buffered with an open collector transistor with a 10 k Ω pull-up resistor to 1.8V.

8.6.2. Using a GPIO Pad as Output

GPIO pads, when used as outputs, can drive 1.8V CMOS digital devices or compatible hardware. When set as outputs, the pads have a push-pull output, and therefore the pull-up resistor can be omitted.

Figure 22: GPIO Output Pad Equivalent Circuit



9. Miscellaneous Functions

9.1. Indication of Network Service Availability

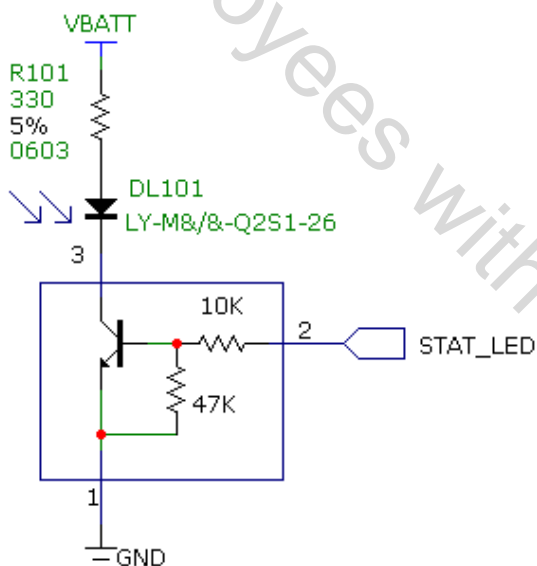
The STAT_LED pin status shows information on the network service availability and call status. In the LE940B6 module, the STAT_LED usually needs an external transistor to drive an external LED.

The status indicated in Table 33 is configurable. Refer to Ref 1: LE940B6 AT Command Reference Guide for the full description of this function.

Table 33: Network Service Availability Indication

| LED Status | Device Status |
|---|------------------------------|
| Permanently off | Device off |
| Fast blinking (Period depends on network condition) | Registered with power saving |
| Slow blinking (Period 3s, Ton 1s) | Registered with full service |
| Permanently on | A call is active |

Figure 23: Status LED Circuit Example



9.2. RTC – Real Time Clock

The VRTC pin is used to power the RTC only when the main battery voltage level is too low or missing.

9.3. VAUX Power Output

A regulated power supply output is provided to supply small devices from the module. This output is active when the module is ON and goes OFF when the module is shut down. The operating range characteristics of the supply are as follows:

Table 34: Operating Range – VAUX Power Supply

| | Min | Typical | Max |
|--|-------|---------|-----------|
| Output voltage | 1.75V | 1.80V | 1.85V |
| Output current | | | 100 mA |
| Output bypass capacitor (within the module) | | | 1 μ F |

9.4. ADC Converter

9.4.1. Description

The LE940B6 module provides three on-board 12-bit Analog to Digital converters. Each ADC reads the voltage level applied on the relevant pin, converts it and stores it into a 16-bit word.

Table 35: ADC Parameters

| | Min | Max | Units |
|----------------------------|-----|-----|-------|
| Input voltage range | 0 | 1.2 | Volt |
| AD conversion | - | 12 | bits |

9.4.2. Using the ADC Converter

An AT command is available to use the ADC function.

The command is AT#ADC=1,2. The read value is expressed in mV.

Refer to Ref 1: LE940B6 AT Command Reference Guide for the full description of this function.

9.5. Using the Temperature Monitor Function

The Temperature Monitor supports temperature monitoring by giving periodic temperature indications, to execute some function at extreme state. If properly set (see the #TEMPMON command in Ref 1: LE940B6 AT Command Reference Guide), it raises a GPIO to High Logic level when the maximum temperature is reached.

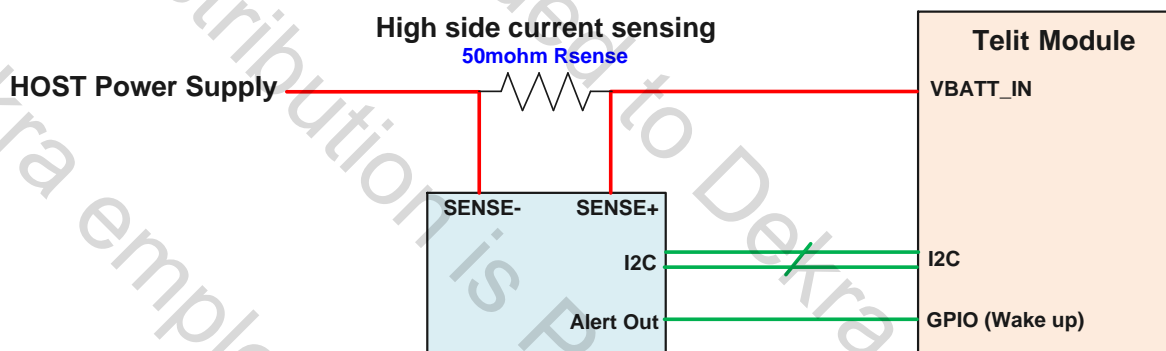
9.6. Fuel Gauge (TBD)

The LE940B6 module can optionally support an external Fuel Gauge solution. In this case, an external IC that is capable of measuring the current flow in and out of the module must be added on the carrier board.

Figure 24 shows an example of a typical connectivity of such an external fuel gauge to the LE940B6 module.

Detailed design - TBD

Figure 24: Fuel Gauge Connectivity Example



9.7. eFuse

The LE940B6 module needs 1.8 +/- 0.05V applied on Pad VPP(H17) for eFuses to be programmed.

The fuse voltage must be applied to VPP(H17) prior to the fuse script being started, and must be removed after the fuse operation has been completed.



WARNING:

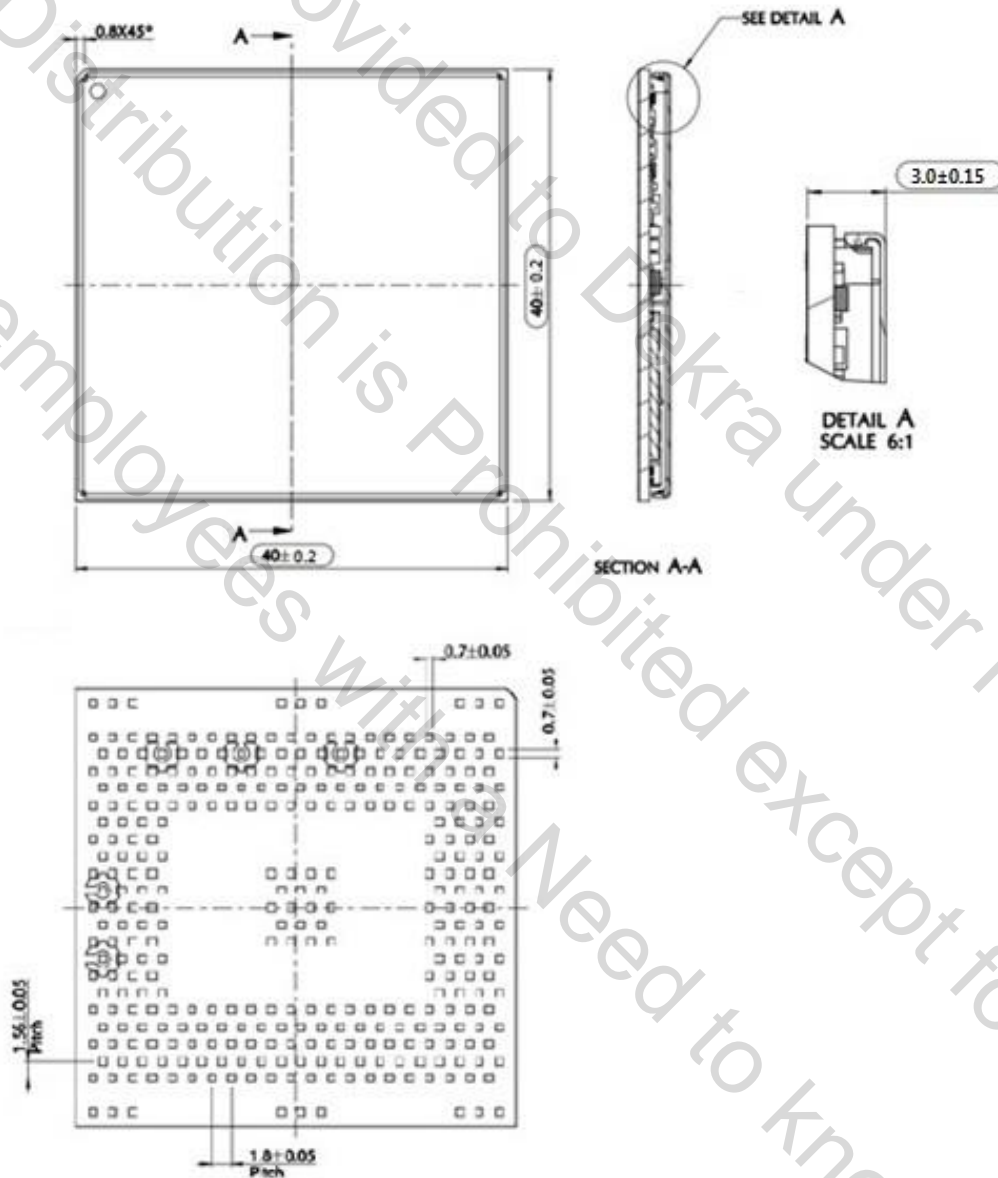
Fuse voltage must never be supplied when the module is not powered up.

10. Mounting the Module on your Board

10.1. General

The LE940B6 module is designed to be compliant with a standard lead-free soldering process as defined in JESD22b102d, table 3b. The number of reflows must not exceed two. This limits T_{max} to 245 °C.

10.2. Finishing & Dimensions



10.3. Recommended Footprint for the Application

Figure 25 shows the top view of the module, which has 334 pads (dimensions are in mm).

To facilitate replacing the LE940B6 module if necessary, it is suggested to design the application board with a 1.5 mm placement inhibit area around the module. These regions are highlighted in Figure 25.

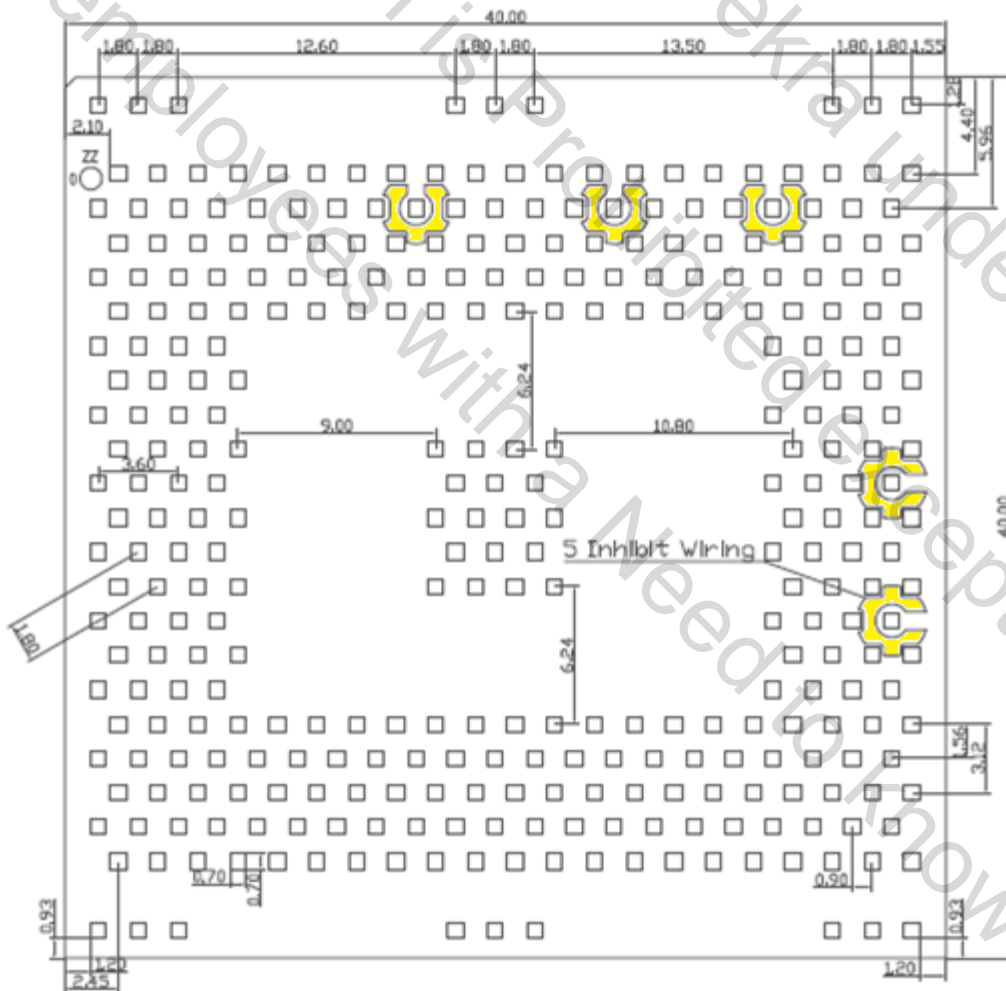
It is also suggested, as a common rule for an SMT component, to avoid having a mechanical part of the application board in direct contact with the module.



NOTE:

In the customer application, the region marked as INHIBIT WIRING in Figure 25 must be clear of signal wiring or ground polygons.

Figure 25: Application Module Top View



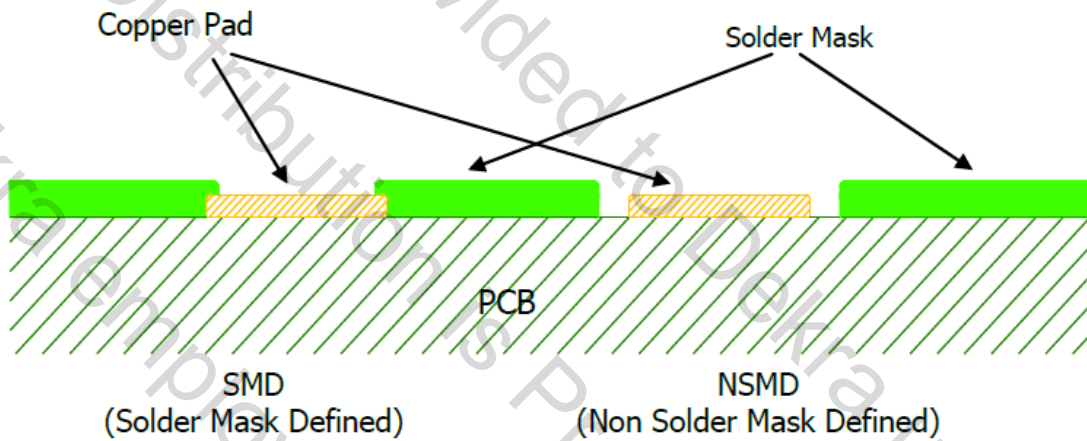
10.4. Stencil

Stencil's apertures layout can be the same as the recommended footprint (1:1). The suggested thickness of stencil foil is greater than 120 μm .

10.5. PCB Pad Design

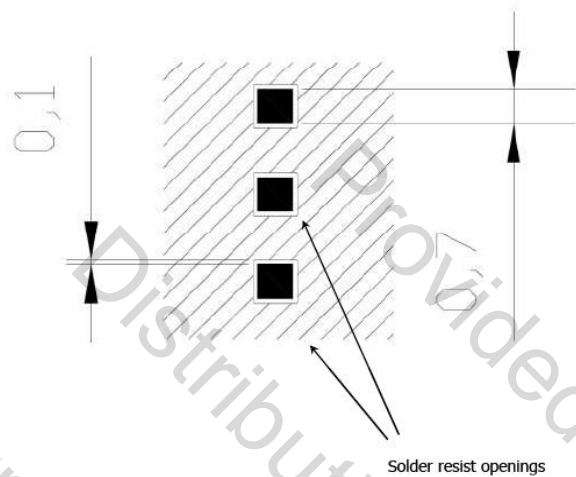
The solder pads on the PCB are recommended to be of the Non Solder Mask Defined (NSMD) type.

Figure 26: PCB Pad Design



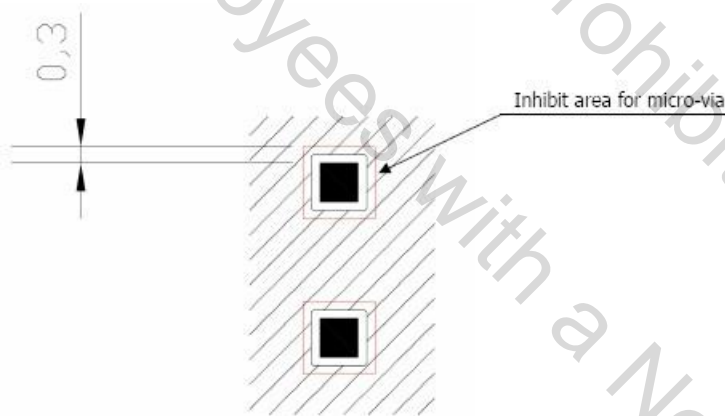
10.6. Recommendations for PCB Pad Dimensions (mm)

Figure 27: PCB Pad Dimensions



It is not recommended to place around the pads a via or micro-via that is not covered by solder resist in an area of 0.3 mm unless it carries the same signal as the pad itself (see Figure 28).

Figure 28: Inhibit Area for Micro-via



Holes in pad are allowed only for blind holes and not for through holes.

Table 36: Recommendations for PCB Pad Surfaces

| Finish | Layer Thickness (um) | Properties |
|--------------------------------|----------------------|---|
| Electro-less Ni / Immersion Au | 3-7 / 0.05-0.15 | Good solder ability protection, high shear force values |

The PCB must be able to resist the higher temperatures, which occur during the lead-free process. This issue should be discussed with the PCB-supplier. Generally, the wettability of tin-lead solder paste on the described surface plating is better compared to lead-free solder paste.

10.7. Solder Paste

We recommend using only “no clean” solder paste to avoid the cleaning of the modules after assembly.

10.7.1. Solder Reflow

Figure 29 shows the recommended solder reflow profile.

Figure 29: Solder Reflow Profile

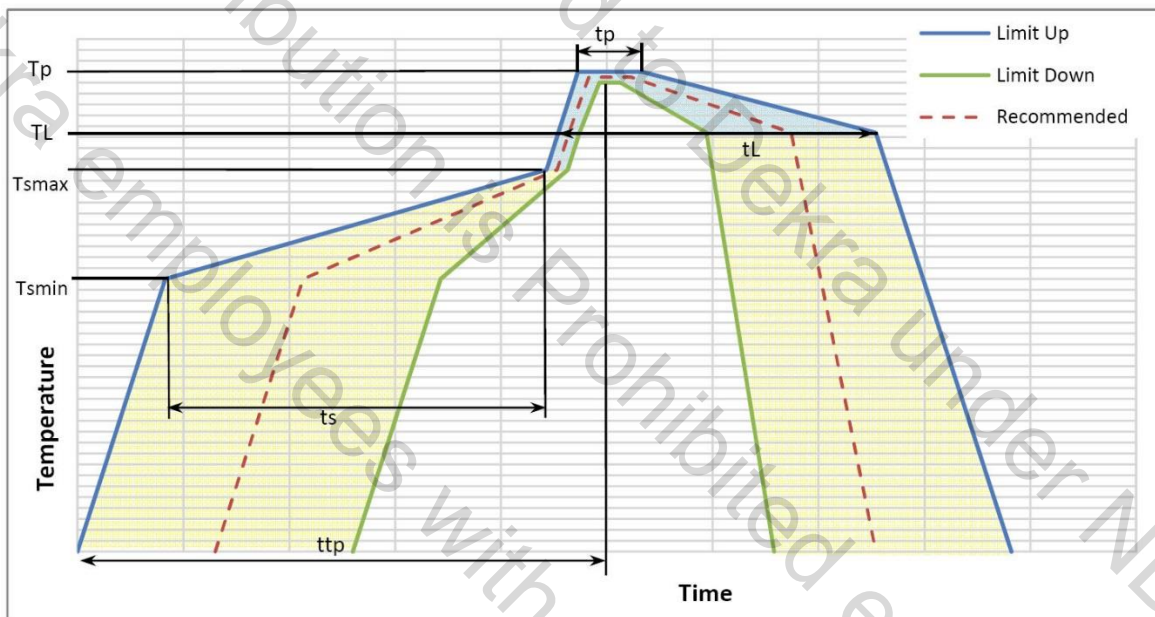


Table 37: Solder Profile Characteristics

| Profile Feature | Pb-Free Assembly |
|---|------------------|
| Average ramp-up rate (TL to TP) | 3°C/second max |
| Preheat | |
| – Temperature min (T _{min}) | 150°C |
| – Temperature max (T _{max}) | 200°C |
| – Time (min to max) (t _s) | 60-180 seconds |
| T _{max} to TL | |
| – Ramp-up rate | 3°C/second max |
| Time maintained above: | |
| – Temperature (TL) | 217°C |
| – Time (t _L) | 60-150 seconds |
| Peak temperature (T _p) | 245 +0/-5°C |
| Time within 5°C of actual peak Temperature (t _p) | 10-30 seconds |
| Ramp-down rate | 6°C/second max |
| Time 25°C to peak temperature | 8 minutes max |

**NOTE:**

All temperatures refer to the top side of the package, measured on the package body surface.

**WARNING:**

The LE940B6 module withstands one reflow process only.

11. Application Guide

11.1. Debug of the LE940B6 Module in Production

To test and debug the mounting of the LE940B6 module, we strongly recommend to add several test pads on the application board design for the following purposes:

- Checking the connection between the LE940B6 itself and the application
- Testing the performance of the module by connecting it with an external computer

Depending on the customer application, these test pads include, but are not limited to the following signals:

- TXD
- RXD
- ON_OFF_N
- SHUTDOWN_N
- RESET_N
- GND
- VBATT
- VAUX/PWRMON
- TXD_AUX
- RXD_AUX
- USB_VBUS
- USB_D+
- USB_D-
- Signals for analysis

11.2. Bypass Capacitor on Power Supplies

When a sudden voltage step to or a cut from the power supplies is asserted, the steep transition causes some reactions such as overshoot and undershoot. This abrupt voltage transition can affect the device causing it to not operate or to malfunction.

Bypass capacitors are needed to alleviate this behavior. The behavior can appear differently depending on the various applications. Customers must pay special attention to this issue when they design their application board.

The length and width of the power lines must be considered carefully, and the capacitance of the capacitors must be selected accordingly.

The capacitor will also prevent ripple of the power supplies and the switching noise caused in TDMA systems.

Especially, a suitable bypass capacitor must be mounted on the following lines on the application board:

- VBATT & VBATT_PA (Pads AP17,AP19,AR18,AR20,AS17,AS19,AT18,AU17,AU19,AT20)

Recommended values are:

- 100 uF for VBATT & VBATT_PA

Customers must still consider that the capacitance mainly depends on the conditions of their application board.

Generally, more capacitance is required when the power line is longer.

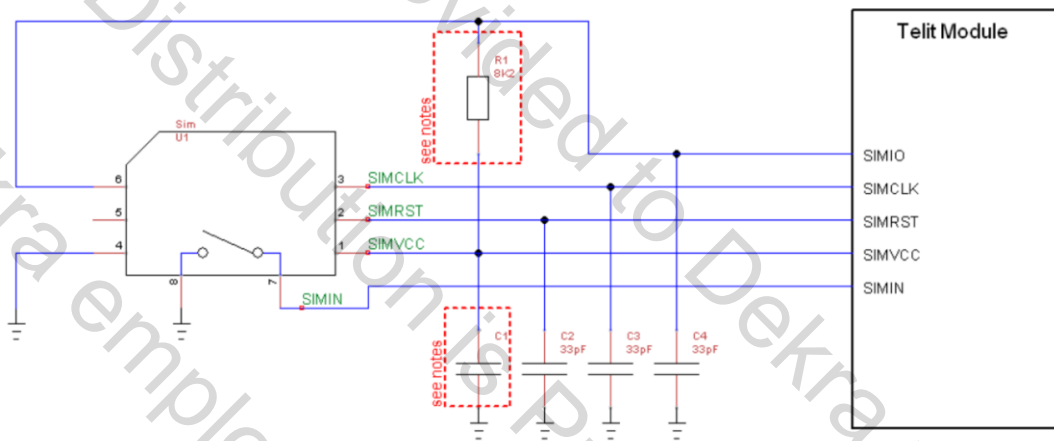
11.3. SIM Interface

This section presents the recommended schematics for the design of SIM interfaces on the application boards. The LE940B6 supports two external SIM interfaces.

11.3.1. SIM Schematic Example

Figure 30 illustrates in particular how to design the application side and what values to assign the components.

Figure 30: SIM Schematics



NOTE:

An external pull-up resistor on SIMIO is not required. The LE940B6 module contains an internal pull-up resistor on SIMIO.

Table 38 lists the values of C1 to be adopted with the LE940B6 product:

Table 38: SIM Interface – C1 Range

| Product P/N | C1 Range (nF) |
|-------------|---------------|
| LE940B6 | 100 nF |

Refer to the following document for details:

- Ref 4: SIM Integration Design Guide

11.4. EMC Recommendations

All LE940B6 signals are provided with some EMC protection. Nevertheless, the accepted level differs according to the specific pin. Table 39 lists the characteristics.

Table 39: EMC Recommendations

| Pad | Signal | I/O | Function | Contact | Air |
|----------|--------------|-----|--------------|---------|--------|
| Antenna | | | | | |
| AD1, AU9 | Antenna pads | I/O | Antenna pads | ± 4 KV | ± 8 KV |

All other pins have the following characteristics:

- HBM JESD22-A114-B ± 1000 V
- CDM JESD22-C101-C ± 250 V



WARNING:

Do not touch without proper electrostatic protective equipment. The product must be handled with care, avoiding any contact with the pins because electrostatic discharge may damage the product.

11.5. Download and Debug Port

This section provides recommendations for the design of the host system used to download or upgrade the Titan software and to debug the LE940B6 module when it is already mounted on a host system.

- For downloading or upgrading the Titan software

In the LE940B6 module, firmware updates by the host are only possible via USB and not via UART.

So even if USB interface is not used, it is still highly recommended to place an optional USB connector on the application board. At the minimum, test points of the USB signals are required to enable SW update.

- For debugging the LE940B6 module

USB, Auxiliary UART and JTAG interfaces can be used for debugging the LE940B6 module. Even if USB or JTAG are not used for debugging, it is recommended to have at least the Auxiliary UART pins exposed to the outside for debugging purposes.

11.6. Antenna Detection

The LE940B6 module provides an antenna detection application.

Many automotive applications require to detect if the antenna is shorted to ground or the battery of the vehicle for fault tracing. Basically, antenna detection is performed by means of its DC characteristics, splitting the DC and RF paths.

Refer to [Ref 5: Titan - Antenna Detection Application Note](#).

Provided to Dekra under NDA
Distribution is Prohibited except for
Dekra employees with a Need to know

12. Packing System

The LE940B6 module is packed on trays.

The tray is JEDEC compliant, injection molded antistatic Modified Polyphenylene ether (MPPO). It has good thermal characteristics and can withstand the standard baking temperature of up to 125°C, thereby avoiding the need of handling the modules if baking is required. The trays are rigid, thus providing mechanical protection against transport stress. In addition, they are re-usable and so environmentally sustainable.

There are 2 (two) antistatic rubber bands that enclose each envelope.

The carton box is rigid, thus offering mechanical protection. The carton box has one flap across the entire top surface. It is sealed with tape along the edges of the box.

Table 40: Tray Packing

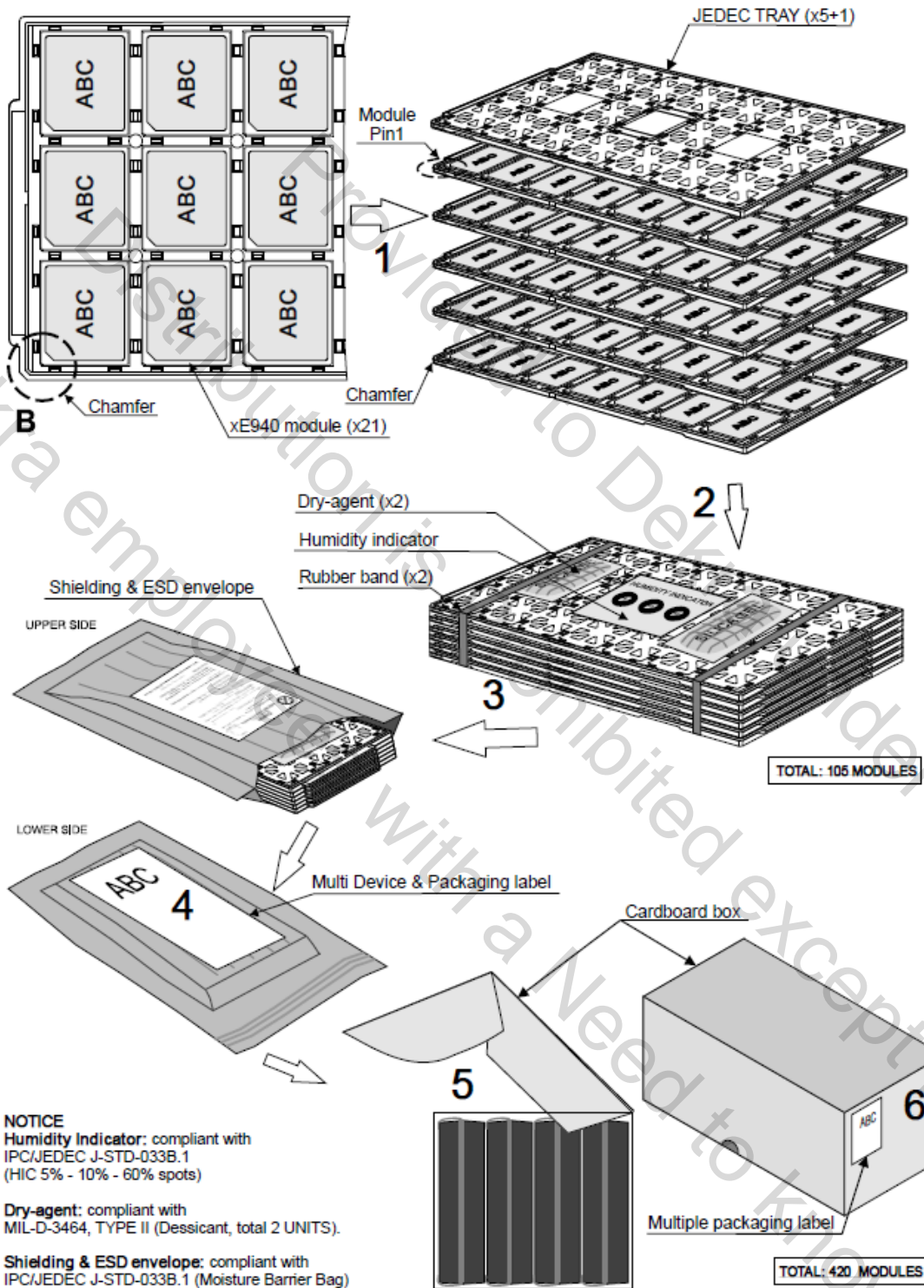
| Modules per Tray | Trays per Envelope | Modules per Envelope | Envelopes per Carton Box | Modules per Box |
|------------------|--------------------|----------------------|--------------------------|-----------------|
| 21 | 5+ 1 empty | 105 | 4 | 420 |

Table 41: Packing Quantities

| Order Type | Quantity |
|---------------------------------|----------|
| Minimum Order Quantity (MOQ) | 21 |
| Standard Packing Quantity (SPQ) | 420 |

Each tray contains 24 modules as shown in Figure 31.

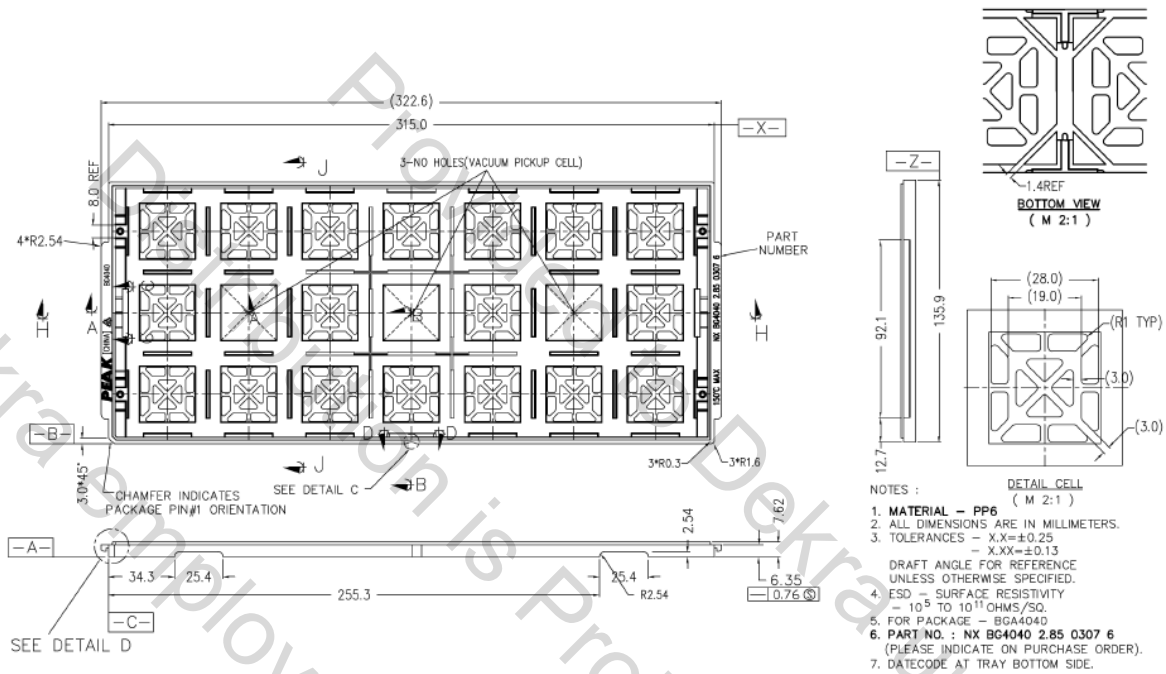
Figure 31: Tray Packing



12.1. Tray Drawing

LE940B6 is packaged on trays. Each tray contains 21 pieces with the following dimensions:

Figure 32: Tray Drawing



WARNING:

These trays can withstand a maximum temperature of 125°C.

12.2. Moisture Sensitivity

The LE940B6 module is a Moisture Sensitive Device Level 3, in accordance with standard IPC/JEDEC J-STD-020. Observe all of the requirements for using this kind of components.

Calculated shelf life in sealed bag: 4 months at <40°C and <90% relative humidity (RH).

13. Conformity Assessment Issues

13.1. FCC/IC Regulatory Notices

Manual Information to the End User

The OEM integrator has to be aware not to provide information to the end user regarding how to install or remove this RF module in the user's manual of the end product which integrates this module. The end user manual shall include all required regulatory information/warning as show in this manual.

CAN ICES-3(B)/ NMB-3(B)

Federal Communication Commission Interference Statement

This device complies with Part 15 of the FCC Rules. Operation is subject to the following two conditions: (1) This device may not cause harmful interference, and (2) this device must accept any interference received, including interference that may cause undesired operation.

This device complies with Industry Canada's licence-exempt RSSs. Operation is subject to the following two conditions:

- (1) This device may not cause interference; and
- (2) This device must accept any interference, including interference that may cause undesired operation of the device.

Le présent appareil est conforme aux CNR d'Industrie Canada applicables aux appareils radio exempts de licence. L'exploitation est autorisée aux deux conditions suivantes:

- (1) l'appareil ne doit pas produire de brouillage, et
- (2) l'utilisateur de l'appareil doit accepter tout brouillage radioélectrique subi, même si le brouillage est susceptible d'en compromettre le fonctionnement.

This equipment has been tested and found to comply with the limits for a Class B digital device, pursuant to Part 15 of the FCC Rules. These limits are designed to provide reasonable protection against harmful interference in a residential installation. This equipment generates, uses and can radiate radio frequency energy and, if not installed and used in accordance with the instructions, may cause harmful interference to radio communications. However, there is no guarantee that interference will not occur in a particular installation. If this equipment does cause harmful interference to radio or television reception, which can be determined by turning the equipment off and on, the user is encouraged to try to correct the interference by one of the following measures:

- Reorient or relocate the receiving antenna.
- Increase the separation between the equipment and receiver.

- Connect the equipment into an outlet on a circuit different from that to which the receiver is connected.
- Consult the dealer or an experienced radio/TV technician for help.

Any changes or modifications not expressly approved by the party responsible for compliance could void the user's authority to operate this equipment. This transmitter must not be co-located or operating in conjunction with any other antenna or transmitter.

Radiation Exposure Statement

This equipment complies with FCC/IC radiation exposure limits set forth for an uncontrolled environment. This equipment should be installed and operated with minimum distance 20 cm between the radiator & your body.

End Product Labeling

When the module is installed in the host device, the FCC/IC ID label must be visible through a window on the final device or it must be visible when an access panel, door or cover is easily re-moved. If not, a second label must be placed on the outside of the final device that contains the following text: "*Contains FCC ID: 2AUECLE940B6NA*", "*Contains IC: 25635-LE940B6NA*." The grantee's FCC/IC ID can be used only when all FCC/IC compliance requirements are met.

This device is intended only for OEM integrators under the following conditions:

- (1) The antenna must be installed such that 20 cm is maintained between the antenna and users,
- (2) The transmitter module may not be co-located with any other transmitter or antenna.
- (3) To comply with FCC/IC regulations limiting both maximum RF output power and human exposure to RF radiation, the maximum antenna gain including cable loss in a mobile exposure condition must not exceed:

3.0 dBi in Cellular band

3.5 dBi in PCS band

3.5 dBi in AWS band

3.0 dBi in 700 MHz band

4.0 dBi in 2500MHz band

In the event that these conditions cannot be met (for example certain laptop configurations or co-location with another transmitter), then the FCC/IC authorization is no longer considered valid and the FCC/IC ID cannot be used on the final product. In these circumstances, the OEM integrator will be responsible for re-evaluating the end product (including the transmitter) and obtaining a separate FCC/IC authorization.

13.2. RED Regulatory Notices

2014/53/EU Directive

Hereby, Titan Automotive Solutions NV declares that the radio equipment type LE940B6-RW is in compliance with Directive 2014/53/EU.

The full text of the EU declaration of conformity is available at the following internet address:

www.tustitan.com/RED

RF Exposure Information (MPE)

This device has been tested and meets applicable limits for Radio Frequency (RF) exposure. To comply with the RF exposure requirements, this module must be installed in a host platform that is intended to be operated in a minimum of 20 cm separation distance from the user.

OEM/Host manufacturer responsibilities

OEM/Host manufacturers are ultimately responsible for the compliance of the Host and Module. The final product must be reassessed against all the essential requirements of the RED before it can be placed on the EU market. This includes reassessing the transmitter module for compliance with the Radio and EMF essential requirements of the RED. This module must not be incorporated into any other device or system without retesting for compliance as multi-radio and combined equipment.

Antenna Specification

In all cases assessment of the final product must be met against the Essential requirements of the RE Directive Articles 3.1(a) and (b), safety and EMC respectively, as well as any relevant Article 3.3 requirements.

The following antenna was verified in the conformity testing, and for compliance the antenna shall not be modified. A separate approval is required for all other operating configurations, including different antenna configurations.

If any other simultaneous transmission radio is installed in the host platform together with this module, or above restrictions cannot be kept, a separate RF exposure assessment and CE equipment certification is required.

LTE / WCDMA / GSM Antenna

Brand : HNS (HANKOOK Network Solution)

Model Number : WE14-LF-07

Type : Dipole Antenna

Table 42: RED Antenna Specifications

| Mode | Band | Antenna Gain (dBi) |
|-------|-------------------|--------------------|
| LTE | FDD 2100 – B1 | 3.5 |
| | FDD 1800+ – B3 | 3.5 |
| | FDD 2600 – B7 | 4.0 |
| | FDD 900 – B8 | 3.0 |
| | FDD 800 – B20 | 3.0 |
| | FDD 700 APT – B28 | 3.0 |
| WCDMA | 2100 – B1 | 3.5 |
| | 900 – B8 | 3.0 |
| GSM | 1800 – B3 | 3.5 |
| | 900 – B8 | 3.0 |



Waste Electrical and Electronic Equipment (WEEE)

This symbol means that according to local laws and regulations your product and/or its battery shall be disposed of separately from household waste.

When this product reaches its end of life, take it to a collection point designated by local authorities. Proper recycling of your product will protect human health and the environment.

14. Safety Recommendations

READ CAREFULLY

Be sure that the use of this product is allowed in your country and in the environment required. The use of this product may be dangerous and must be avoided in the following areas:

- Where it can interfere with other electronic devices in environments such as hospitals, airports, aircrafts, etc.
- Where there is risk of explosion, such as gasoline stations, oil refineries, etc.

It is the responsibility of the user to enforce the country regulations and the specific environment regulations.

Do not disassemble the product; any mark of tampering will compromise the warranty validity.

We recommend following the instructions of the hardware user guides for correct wiring of the product. The product must be supplied with a stabilized voltage source and the wiring conform to the security and fire prevention regulations.

The product must be handled with care, avoiding any contact with the pins because electrostatic discharges may damage the product itself. The same caution must be taken for the SIM, checking carefully the instructions for its use. Do not insert or remove the SIM when the product is in power saving mode.

The system integrator is responsible for the functioning of the final product; therefore, care must be taken of the external components of the module, as well as of any project or installation issue, because of the risk of disturbing the cellular network or external devices or having any impact on safety. Should there be any doubt, refer to the technical documentation and the regulations in force.

Every module must be equipped with a proper antenna with the specified characteristics. The antenna must be installed with care to avoid any interference with other electronic devices and must be installed with the guarantee of a minimum 20 cm distance from a human body. If this requirement cannot be satisfied, the system integrator must assess the final product against the SAR regulation.

The European Community provides some Directives for electronic equipment introduced on the market. All the relevant information is available on the European Community website:

RE Directive (Directive 2014/53/EU) information.

15. Acronyms

| | |
|---------|---|
| ADC | Analog-to-digital converter |
| AE | Application-enabled |
| CABC | Content Adaptive Backlight Control |
| DAC | Digital-to-analog converter |
| FDD | Frequency division duplex |
| GLONASS | Global orbiting navigation satellite system |
| GNSS | Global navigation satellite system |
| GNSS | Global navigation satellite system |
| GPIO | General-purpose input/output |
| GPRS | General packet radio services |
| GPS | Global positioning system |
| GSM | Global system for mobile communications |
| I2C | Inter-integrated circuit |
| LTE | Long term evolution |
| RGMII | Reduced Gigabit media-independent interface |
| SD | Secure digital |
| SIM | Subscriber identity module |
| SMX | SmartMX |

| | |
|-------|---|
| SOC | System-on-Chip |
| SPI | Serial peripheral interface |
| UART | Universal asynchronous receiver transmitter |
| UMTS | Universal mobile telecommunications system |
| USB | Universal serial bus |
| WCDMA | Wideband code division multiple access |
| WCI | Wireless Coexistence Interface |

16. Document History

Table 43: Document History

| Revision | Date | Changes |
|----------|------------|---|
| Rev 2.2 | 2020-01-10 | Replaced Telit logo and name were by Titan ones. FCC and IC ID updated from Telit to Titan. |
| Rev. 2.1 | 2018-03-15 | Added NCC warning at the last page |
| Rev. 2.0 | 2018-01-04 | Sec. 3.2 Fixed Table 44: Mandatory Signals Sec. 4.3.3 Deleted 1.2V EMIC Pads |
| Rev. 1.9 | 2017-10-24 | Sec. 2.5.1 Updated Table 4, RF Bands per Regional Variant Sec. 2.5.2 Updated Table 5, RF Bands Characteristics Sec. 5.3: Fixed figure 7 and 8, Power off timing Sec. 6.1: Updated table 21 LE940B6 Current Consumption Sec. 13.2 Added RED Regulatory Notices |
| Rev. 1.8 | 2017-03-24 | Sec. 5.1 Added Note Sec. 5.3 Added Note Sec. 6.1: Updated table 21 LE940B6 Current Consumption Sec. 7.5: Added new sub chapter Sec. 13: Added Conformity Assessment Issues |
| Rev. 1.7 | 2017-01-25 | Sec. 5: Figures and charts revised Sec. 6: Current consumption table updated |

| Revision | Date | Changes |
|----------|------------|--|
| v. 1.6 | 2016-11-15 | <p>Official Release</p> <p>Sec. 2.7: Updated the Mechanical Specifications</p> <p>Sec. 3.1: Added VPP pin for eFuse</p> <p>Sections 3.1, 3.3, 4.3.6, 8: SD / MMC interfaces were deleted - they are not supported by the chipset vendor.</p> <p>Sec. 5: Updated the specifications and charts of Hardware Commands (Boot-up/Shutdown time, On/Shutdown key hold time)</p> <p>Sec. 5.1: Updated the Power on Hold time.</p> <p>Sec. 5.3.2: Updated the section of Hardware Shutdown</p> <p>Sec. 5.3.3: Updated the Unconditional reset Hold time.</p> <p>Sec. 6.1: Updated Table 21 – Current Consumption in various modes</p> <p>Sec. 6.2.2: Updated the Thermal Design Guidelines</p> <p>Sec. 8.1: USB 3.0 interface is deleted - it is not supported by the chipset vendor.</p> <p>Sec. 8.3.3: WiFi (SDIO) is deleted - it is not supported by the chipset vendor.</p> <p>Sec. 8.6: Table 35 (Additional GPIO) is deleted - it is not supported by the chipset vendor.</p> <p>Sec. 9.7: eFuse section was added.</p> <p>Sec. 11.4: Updated the EMC Recommendations</p> |

| Revision | Date | Changes |
|-------------|------------|--|
| Rev. 1.5 | 2016-09-20 | <p>(Interim version)</p> <p>Page 2, Table 1: Updated the Applicability table</p> <p>Sec. 2: Updated the General Product Description</p> <p>Sec. 2.5.1, 2.5.2: Updated the RF bands tables</p> <p>Sec. 3.1: Updated the pin description in the Pin-out table</p> <p>Sec. 4.3: Added tables of logic level specifications</p> <p>Sec. 5: Updated the Turning On and Off trigger times, figures and flow charts</p> <p>Sec. 6.1: Added Table 20 - Power Supply Requirements</p> <p>Sec. 8: Gathered the description of all hardware interfaces into this section</p> <p>Sec. 8.1: Updated note and figure for USB</p> <p>Sec: 8.2: Various updates about the Serial Ports</p> <p>Sec. 8.4: Updates about the Ethernet interface</p> <p>Sec. 8.6: Updated the GPIO drive strength</p> <p>Sec 11.5: Updated the Download and Debug Port section</p> <p>Sec 12: Updated Packing System information</p> |
| Rev. 1.3 | 2016-06-22 | <p>(Interim version)</p> <p>Sec. 2.4.1: The Storage Temperature range is -40°C ~ $+95^{\circ}\text{C}$</p> <p>Sec. 3.1: Corrected and Updated the Pin out table (Added GPIO_11/12, MIC_BIAS, VRTC, Removed GPIO_23/24)</p> <p>Sec. 4: Added electrical specifications</p> <p>Sec. 9.4.1: Modified the ADC table</p> <p>Sec. 11.4: Added ESD specifications</p> |
| Preliminary | 2016-03-15 | First issue |