



广东金晟智能有限公司
Guangdong Jinsheng intelligent Co., Ltd

承 认 书

SPECIFICATION FOR APPROVAL

| | |
|------------------------|-----------------------------------|
| client's name | Shenzhen Itian Technology Co.,LTD |
| Item Description | watch coil |
| Contractor model | 15.4x0.8x24px12Tx6.6uH |
| Antenna Gain | 0dBi |
| Customer code | 081.019 |
| date | 2022.09.01 |
| production part number | |
| Edition/page number | A0 |

Contractor confirms

| fiction | audit | approve |
|---------|-------|---------|
| 何雪松 | 陈金凤 | 茹威 |

User confirmation

| Engineering Review | audit | approve |
|--------------------|-------|---------|
| | | |

Contractor: Guangdong Jinsheng Intelligent Co., Ltd.
Address: 2nd Floor, Building B, No. 289, Wenzhou Road,
Dongcheng Street, Dongguan City
Tel: 0769-22252827
Email: 15789306@qq.com

| | | | | |
|-------|------|----|------------|------|
| 第 1 页 | 客户代码 | 版次 | 编制日期 | 承制方 |
| | | A0 | 2022.09.01 | 金晟智能 |



广东金晟智能有限公司
Guangdong Jinsheng intelligent Co., Ltd

change log

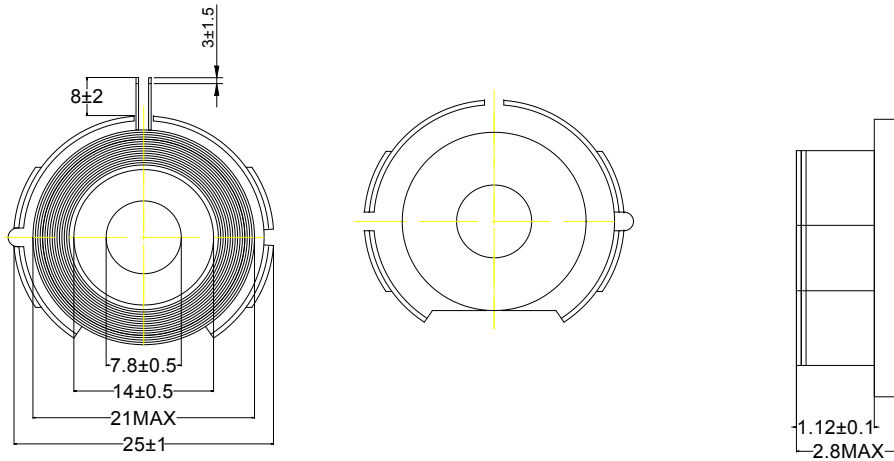
| No. | Version | Date | Changed Content | Changed By |
|-----|---------|------------|-----------------------------|------------|
| 1 | A0 | 2022.09.01 | New Specifications Approved | 何雪松 |
| | | | | |
| | | | | |
| | | | | |
| | | | | |
| | | | | |
| | | | | |
| | | | | |
| | | | | |
| | | | | |
| | | | | |
| | | | | |
| | | | | |
| | | | | |
| | | | | |
| | | | | |
| | | | | |
| | | | | |
| | | | | |
| | | | | |
| | | | | |

| | | | | |
|-------|------|----|------------|------|
| 第 2 页 | 客户代码 | 版次 | 编制日期 | 承制方 |
| | | A0 | 2022.09.01 | 金晟智能 |



广东金晟智能有限公司
Guangdong Jinsheng intelligent Co., Ltd
structure size

1. Dimensions: (unit: mm)



2. Electrical properties (L) :

| Item | Standard | Test Condition | Test Instrument | Remarks |
|--------------|-----------|----------------|-----------------|----------------------------|
| Inductance | 4.0uH±5% | 100KHZ,1V | TH2817B+ | hollow coil measuring type |
| Inductance-1 | 6.5uH±10% | 100KHZ,1V | TH2817B+ | with magnetic chip |
| | | | | |
| | | | | |

3. Appearance requirements:

- 1) The shape and size of the product should be strictly controlled.
- 2) The surface of the product is free of oil, impurities, burrs, etc.
- 3) The material cannot be changed at will without the confirmation of the customer
- 4) Products must meet ROHS requirements

| | | | | |
|-------|------|----|------------|------|
| 第 3 页 | 客户代码 | 版次 | 编制日期 | 承制方 |
| | | A0 | 2022.09.01 | 金晟智能 |



广东金晟智能有限公司
Guangdong Jinsheng intelligent Co., Ltd

Bill of Materials

Bill of materials (材料清单表)

| 序号 number | 材料名称 Material name | 品名描述 Description | 物料代码 Material Code |
|--------------|------------------------|---------------------|-----------------------|
| 1 | wire | 0. 08* 24P 热风绞线 | |
| 2 | soft magnetic sheet | G25*7.8*2.6H | |
| | | | |
| | | | |
| | | | |

| | | | | |
|-------|------|----|------------|------|
| 第 4 页 | 客户代码 | 版次 | 编制日期 | 承制方 |
| | | A0 | 2022.09.01 | 金晟智能 |