

承认书

SPECIFICATION FOR APPROVAL

客户名称 (CUSTOMER): 深圳市翊天科技有限公司
Shenzhen Itian Technogy Co., Ltd.

客户料号 (CUSTOMER P/N) : Induction coil Antenna gain:0dBi

品名 (DESCRIPTION) : DATE:2022-8-29

规格 (SPECIFICATION) : Universal ferrite slotted 35 legth REV.NO.:A0

鸿日昇威科技承认签核、盖章 HRSW ELECTRONICS Approval, Stamp

部门 Dept.	确认/日期 Checked/Date	审核/日期 Verified/Date	批准/日期 Approved/Date	(盖公司公章) Company Stamp
品质 QC	董晚红 2022-8-29	吕惠 2022-8-29	韦函满 2022-8-29	
工程 Eng.	何伟华 2022-8-29	韦立红 2022-8-29	韦立红 2022-8-29	

备注/Note:

翊天科技承认签核、盖章 Itian Technogy Approval, Stamp

部门 Dept.	确认/日期 Checked/Date	审核/日期 Verified/Date	批准/日期 Approved/Date	(盖公司公章) Company Stamp
开发工程师 ED				
采购 Purchaser				
品质 QC				

备注/Note:

深圳市鸿日昇威科技有限公司

HRSW ELECTRONICS CO.,LTD

ADD: 深圳市龙华新区观澜环观中路48号1栋2楼

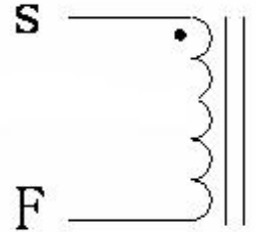
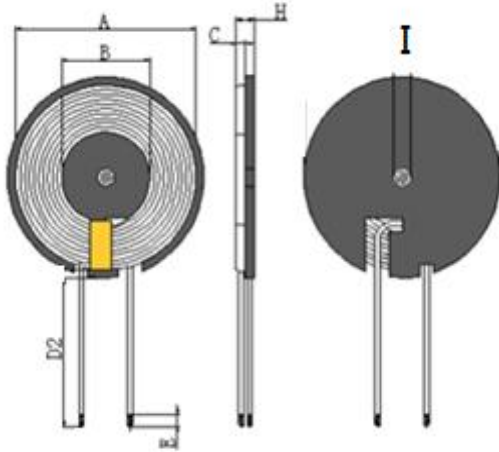
TEL: +86-755-23461055 FAX: +86-0755-28015170

page:1/2

SPECIFICATION FOR APPROVAL

1.MECHANICAL DIMENSION (UNIT:mm)

2.SCHEMATICS:



- 1.线圈贴磁片,厚度为0.9mm,开L线槽
1. Coil with ferrite sheet, thickness 0.9mm, with L type wire slot;
- 2.线圈出线位置缠胶纸 1-2Ts;
2. Coil outlet wrapping adhesive tape 1-2Ts;
- 3.隔磁片底部要贴背胶
- 3.The bottom of the ferrite sheet with adhesive tape;

A	B	C	D2	E	H	I			I
43.2±0.3	20.5±0.5	0.9±0.05	35±3	4±2	2.8MAX	5+0.5			

3.WINDING:

STEP	START-FINISH	WIRE TYPE	TURNS	TAPE	REMARK
N1	S-F	丝包线/USTC Wire \varnothing 0.08*105mm 2UEW	10TS (Ref)		

4.ELECTRICAL SPECIFICATION:

ITEM	L	DCR	L	Q值	HI-POT
TEST CONDITION	线圈加磁片 Coil with ferrite sheet	S-F	单独线圈 Coil Only	/	
	100KHz,0.25V	AT 25°C	100KHz,0.25V	100KHz,0.25V	
SPEC	6.2uH±10%	60mΩ Max	3.6uH±10%	45	

5.BILF OF MATERIAL:

NO.	ITEM	MATERIAL SPECIFICATION	MANUFACTURER	SGS NO.
1	丝包线0.08*105股 USTC Wire 0.08*105P	丙酮丝包线0.08*105股 Acetone USTC wire 0.08*105P	NANJINGJINNINGCO,LTD	
2	无铅锡条 lead-free solder bar	无铅锡条 lead-free solder bar	QIAODO	
3	磁片 Ferrite sheet	\varnothing 43.5*0.9锰锌硬磁片开L槽 manganese-zinc hard ferrite sheet & L slot	TAIYI CO.,LTD	
4	胶水 Adhesive	黄胶9999 Chloroprene Adhesive 9999	LIANCHENG CO.,LTD	
5	高温胶纸High temperature adhesive tape	5mm宽高温胶纸 8mm High temperature adhesive tape	CUDAK CO.,LTD	
6	背胶 Adhesive tape	\varnothing 41.5*0.1	CUDAK CO.,LTD	

HRSW ELECTRONICS CO.,LTD		PART NO	
		TITLE	Universal ferrite slotted 35 legth
DRAWN BY	CHECKED BY		APPROVED BY
何伟华	韦立红		韦立红