

承认书

SPECIFICATION FOR APPROVAL

客户名称 (CUSTOMER): 深圳市翊天科技有限公司
Shenzhen Itian Technogy Co., Ltd.

客户料号 (CUSTOMER P/N): Induction coil Antenna gain:0dBi

品名 (DESCRIPTION): DATE:2022-8-29

规格 (SPECIFICATION): Universal ferrite slotted 35 leghth REV.NO.:A0

鸿日昇威科技承认签核、盖章 HRSW ELECTRONICS Approval, Stamp

| 部门 Dept. | 确认/日期 Checked/Date | 审核/日期 Verified/Date | 批准/日期 Approved/Date | (盖公司公章) Company Stamp |
|-------------|-----------------------|------------------------|------------------------|---|
| 品质 QC | 董晚红 2022-8-29 | 吕惠 2022-8-29 | 韦函满 2022-8-29 |  |
| 工程 Eng. | 何伟华 2022-8-29 | 韦立红 2022-8-29 | 韦立红 2022-8-29 | |

备注/Note:

翊天科技承认签核、盖章 Itian Technogy Approval, Stamp

| 部门 Dept. | 确认/日期 Checked/Date | 审核/日期 Verified/Date | 批准/日期 Approved/Date | (盖公司公章) Company Stamp |
|----------------|-----------------------|------------------------|------------------------|--------------------------|
| 开发工程 ED | | | | |
| 采购 Purchase | | | | |
| 品质 QC | | | | |

备注/Note:

深圳市鸿日昇威科技有限公司

HRSW ELECTRONICS CO.,LTD

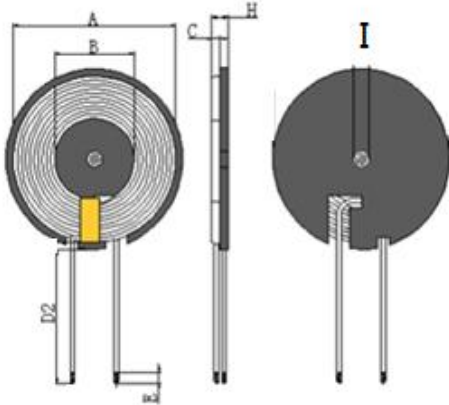
ADD: 深圳市龙华新区观澜环观中路48号1栋2楼

TEL: +86-755-23461055 FAX: +86-0755-28015170

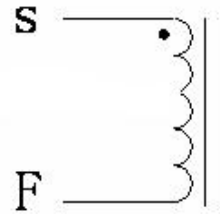
page:1/2

SPECIFICATION FOR APPROVAL

1.MECHANICAL DIMENSION (UNIT:mm)



2.SCHEMATICS:



- 1.线圈贴磁片,厚度为0.9mm, 开L线槽
1. Coil with ferrite sheet, thickness 0.9mm, with L type wire slot;
- 2.线圈出线位置缠胶纸 1-2Ts;
2. Coil outlet wrapping adhesive tape 1-2Ts;
- 3.隔磁片底部要贴背胶
- 3.The bottom of the ferrite sheet with adhesive tape;

| | | | | | | | | | |
|----------|----------|----------|------|-----|--------|-------|--|--|---|
| A | B | C | D2 | E | H | I | | | I |
| 43.2±0.3 | 20.5±0.5 | 0.9±0.05 | 35±3 | 4±2 | 2.8MAX | 5+0.5 | | | |

3.WINDING:

| STEP | START-FINISH | WIRE TYPE | TURNS | TAPE | REMARK |
|------|--------------|---|------------|------|--------|
| N1 | S-F | 丝包线/USTC Wire \varnothing 0.08*105mm 2UEW | 10TS (Ref) | | |

4.ELECTRICAL SPECIFICATION:

| ITEM | L | DCR | L | Q值 | HI-POT |
|----------------|----------------------------------|----------|-------------------|--------------|--------|
| TEST CONDITION | 线圈加磁片 Coil with ferrite sheet | S-F | 单独线圈 Coil Only | | |
| | 100KHz,0.25V | AT 25°C | 100KHz,0.25V | 100KHz,0.25V | |
| SPEC | 6.2uH±10% | 60mΩ Max | 3.6uH±10% | 45 | |

5.BILF OF MATERIAL:

| NO. | ITEM | MATERIAL SPECIFICATION | MANUFACTURER | SGS NO. |
|-----|--|---|----------------------|---------|
| 1 | 丝包线0.08*105股 USTC Wire 0.08*105P | 丙酮丝包线0.08*105股 Acetone USTC wire 0.08*105P | NANJINGJINNINGCO,LTD | |
| 2 | 无铅锡条 lead-free solder bar | 无铅锡条 lead-free solder bar | QIAODO | |
| 3 | 磁片 Ferrite sheet | \varnothing 43.5*0.9锰锌硬磁片开L槽 \varnothing 43.5*0.9 manganese-zinc hard ferrite sheet & L slot | TAIYI CO.,LTD | |
| 4 | 胶水 Adhesive | 黄胶9999 Chloroprene Adhesive 9999 | LIANCHENG CO.,LTD | |
| 5 | 高温胶纸 High temperature adhesive tape | 5mm宽高温胶纸 8mm High temperature adhesive tape | CUDAK CO.,LTD | |
| 6 | 背胶 Adhesive tape | \varnothing 41.5*0.1 | CUDAK CO.,LTD | |

| | | | |
|--------------------------|--|------------|-------------------------------------|
| HRSW ELECTRONICS CO.,LTD | | PART NO | |
| | | TITLE | Universal ferrite slotted 35 length |
| DRAWN BY | | CHECKED BY | APPROVED BY |
| 何伟华 | | 韦立红 | 韦立红 |