

承认书

SPECIFICATION FOR APPROVAL

客户名称 (CUSTOMER): 深圳市翊天科技有限公司
Shenzhen Itian Technology Co., LTD

客户料号 (CUSTOMER P/N): S15

品名 (DESCRIPTION): DATE: 2023-5-5

规格 (SPECIFICATION): G44开槽+背胶 透明款 27mm REV.NO.: A0

鸿日昇威科技承认签核、盖章

部门	确认/日期	审核/日期	批准/日期	(盖公司公章)
品质	董晚红 2023-5-5	吕惠 2023-5-5	韦函满 2023-5-5	
工程	何伟华 2023-5-5	韦立红 2023-5-5	韦立红 2023-5-5	

备注:

翊天科技承认签核、盖章

部门	确认/日期	审核/日期	批准/日期	(盖公司公章)
开发工程师				
采购				
品质				

备注:

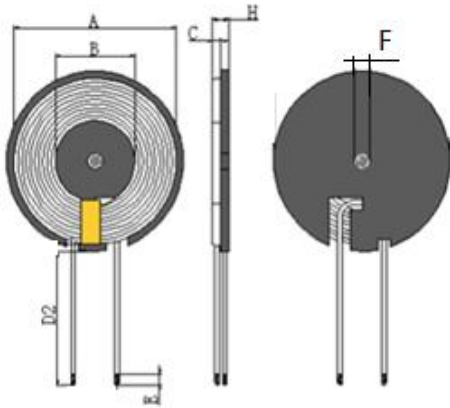
深圳市鸿日昇威科技有限公司

HRSW ELECTRONICS CO.,LTD

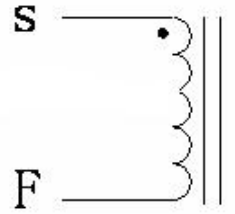
ADD: 深圳市龙华新区观澜环观中路48号1栋2楼

SPECIFICATION FOR APPROVAL

1. MECHANICAL DIMENSION (UNIT:mm)



2. SCHEMATICS:



1. 线圈贴磁片，磁片尺寸 44 ± 1 mm，开L线槽。

1. Coil attached magnetic plate, magnetic plate size 44 ± 1 mm, Open L-line slots.

2. 线圈出线位置不缠胶纸

2. Outlet position of the coil
No adhesive paper

A	B	C	D2	E	H	F
44 ± 1.0	20.5 ± 0.5	0.8 ± 0.05	27 ± 3	4 ± 2	1.7Max	5 ± 0.05

3. WINDING:

1.1 低音

STEP	START-FINISH	WIRE TYPE	TURNS	TAPE	REMARK
N1	S-F	热风线 $\varnothing 0.08 * 80$ mm 2UEW	10TS (Ref)		

4. ELECTRICAL SPECIFICATION:

ITEM	L	DCR		Q值	HI-POT
TEST CON D	线圈加磁片 Coil plus magnetic plate	S-F			
	100KHz, 0.25V	AT 25°C			
SPEC	$6.3 \mu\text{H} \pm 10\%$	$85 \text{m}\Omega \text{ Max}$			

5. BILF OF MATERIAL:

NO.	ITEM	MATERIAL SPECIFICATION	MANUFACTURER	SGS NO.
1	热风线/Hot air wire	热风线 $0.08 * 80$ 股 Hot air wire $0.08 * 80$ strands	NANJINGJINNINGCO,LTD	
2	无铅锡条/Lead-free tin strip	无铅锡条 Lead-free tin strip	QIAODO	
3	磁片/magnetic sheet	$\varnothing 44 * 0.5$ 锰锌硬磁片开L槽 $44 * 0.5 \varnothing$ manganese zinc hard disk drive L slots	TAIYI CO.,LTD	
4	胶水/glue	黄胶9999/Yellow gum	LIANCHENG CO.,LTD	
5	高温胶纸 high-temperature adhesive tape			

HRSW ELECTRONICS CO.,LTD

PART NO

TITLE

G44开槽+背胶 透明款27mm

DRAWN BY

CHECKED BY

APPROVED BY

何伟华

韦立红

韦立红

SPECIFICATION FOR APPROVAL

6. SAMPLE TEST DATA									
6.1 DIMENSION TEST (UNIT: mm)									
TEST ITEM	A	B	C	D	E	H	F		
SPEC	44±1.0	20.5±0.5	0.8±0.05	27±3	4±2	1.7Max	5.0±0.05		
1	43.87	20.51	0.81	26	3.50	1.60	5.01		
2	43.89	20.53	0.82	27	3.60	1.50	5.01		
3	43.91	20.51	0.84	27.6	3.70	1.35	4.99		
4	43.98	20.49	0.79	27.6	3.80	1.47	4.98		
5	43.97	20.5	0.83	26.4	4.00	1.56	5		
6									
7									
8									
9									
10									
MAX	43.98	20.53	0.84	27.60	4.00	1.60	5.01		
MIN	43.87	20.49	0.79	26.00	3.50	1.35	4.98		
AVERAGE	43.92	20.51	0.82	26.92	3.72	1.50	5.00		
6.2 ELECTRICAL TEST									
TEST ITEM	L		DCR	IDC		Q	HI-POT		
	S-F		S-F						
TEST COND	100KHz/0.25v		AT 25°C						
SPEC	6.3uH ±10%		85mΩ (Max)						
1	6.34		68.00						
2	6.35		67.00						
3	6.42		68.80						
4	6.38		67.90						
5	6.32		66.90						
6									
7									
MAX	6.42		68.80						
MIN	6.32		66.90						
AVERAGE	6.36		67.72						
HRSW ELECTRONICS CO., LTD					PART NO				
					TITLE		G44开槽+背胶 透明款 27mm		
DRAWN BY			CHECKED BY			APPROVED BY			
何伟华			韦立红			韦立红			