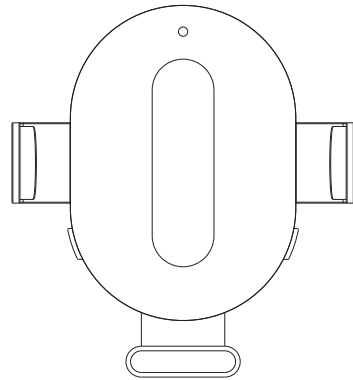


Wireless Charger User Guide



Model: C25

Thank you for purchasing and using this product!

Please read this Operation Instruction carefully and keep it properly before using this product.

Product Specification

Fast Wireless Charger

- Input: 5V=2A/9V=1.67A/12V=1.5A
- Output: 5V=1.0A/9V=1.2A/12V=1.25A
- Charging Efficiency: 70%

Applicable Devices

Compatible with all devices with Qi Standard
For all other mobiles without Qi Standard, those will be working with wireless receivers.



⚠ Attention The LED light turns red during wireless charging to indicate a charging failure.

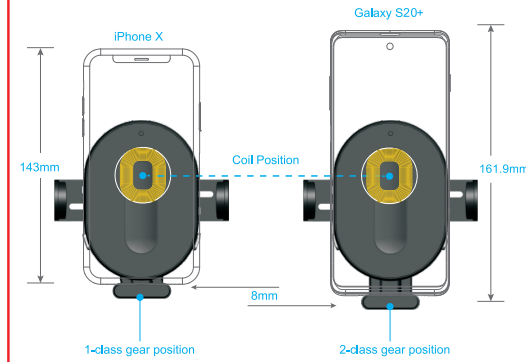
The following situation can cause failures, like charging slowly, stop charging, over-temperature for charging position

1. The adapter is not run up to standard (No PC USB output power supply).
2. The charging cable is not up to standard.
3. The phone case is too thick (within 2mm thickness phone case recommended).
4. The built-in wireless charging receiver position is not coincided with wireless charger coil position.
5. There is metal/magnet on the back of cell phone or phone case.
6. Smartphone does not support wireless charging function.

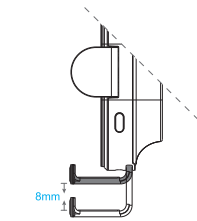
⚠ Attention

1. Please keep the charger away from water or other liquid.
2. If you need to clean the charger, please make sure it is not connected to power supply.
3. Using Environment temperature remains -20~45°C.

Drop-down Holder Structure Description.



compatible for different size of smartphone					
1-class gear position			2-class gear position		
size of phone ≤ 153mm			size of phone > 153mm		
Brand	Model	Length	Brand	Model	Length
Samsung	S8	148.9mm	Samsung	S8+	159.5mm
Samsung	S9	147.7mm	Samsung	S9+	158.1mm
Samsung	S10	149.9mm	Samsung	S10+	157.5mm
Samsung	S10e	142.2mm	Samsung	NOTE8	162.5mm
Samsung	Note10	153.2mm	Samsung	NOTE9	161.9mm
Samsung	S20	151.0mm	Samsung	S20+	161.9mm
Apple	iPhone 8	138.4mm	Samsung	S20 Ultra	166.9mm
Apple	iPhone X	143.6mm	Apple	iPhone XS Max	157.5mm
Apple	iPhone XS	143.6mm	Apple	iPhone 8 plus	158.4mm
Apple	iPhone XR	150.9mm	Apple	iPhone 11 Pro Max	158.4mm
Apple	iPhone 11	150.9mm			
Apple	iPhone 11 Pro	144.0mm			
Apple	iPhone SE2	138.4mm			

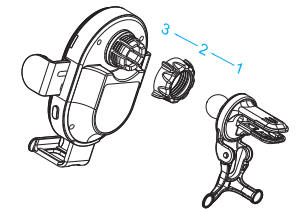


Wireless charging is made up of wireless charging transmitter and wireless charging receiver (working principle). Wireless charger you bought is transmitter, receiver was built into smartphone. Wireless charging works well when the transmitter coil position is coincided with receiver coil position.

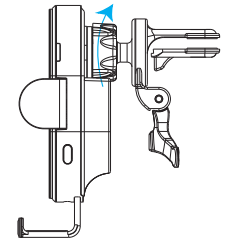
The receiver coil position is fixed for this product. According to different size of smartphone, making receiver coil position to coincide with transmitter's, we design drop-down holder to adjust the appropriate charging position to make wireless charge well.

Step to install air vent

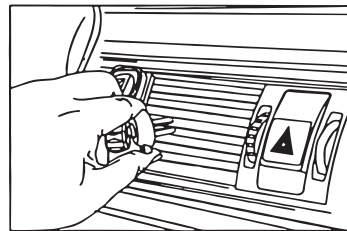
1. Follow the arrows to install 3 parts.



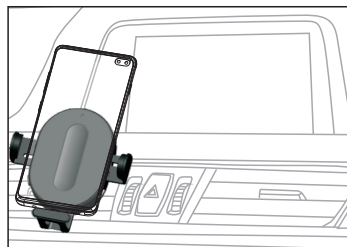
2. Adjust the screw cap to the best active status.



3. Press the button of clip to fix, then adjust the angle and tighten the fixed nut.

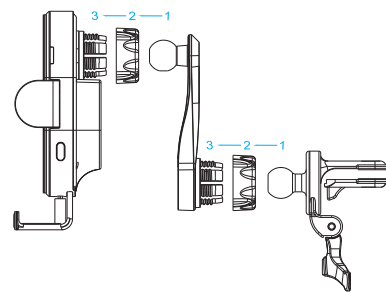


4. Installation completed.

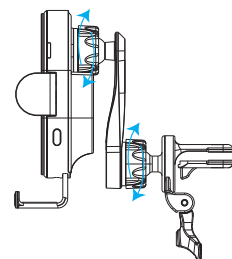


Step to install rotatable lever

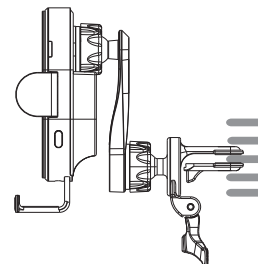
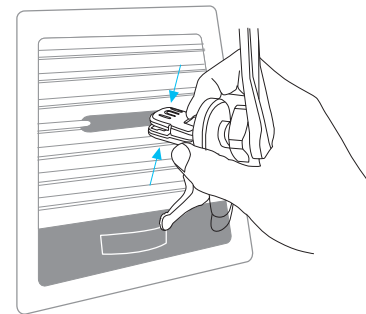
1. Follow the arrows to install parts



2. Adjust the screw cap to the best active status.

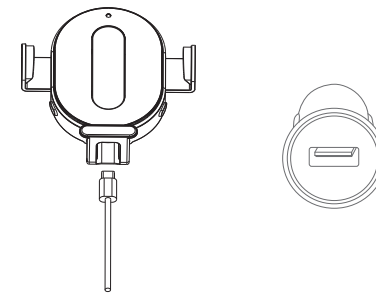


3. Press the button of clip to fix, then adjust the angle and tighten the fixed nut.



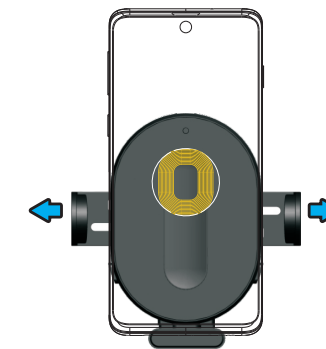
Step to Use wireless charger

1. Input: Connect the wireless charger and car adapter with the charging cord.



Must use Qualcomm quick charging adaptor for fast wireless charging.

2. Place smartphone.



The both sides of clip open automatically after being powering, putting on smartphone, clip close automatically to tighten smartphone.

3. Take off smartphone.

Press the key, the clip open automatically, take your phone out.



4. LED indicator light shows the working status:

1. White LED Light: Standby.
2. Blue LED Light: Charging normally.
3. Red LED Light: Charging abnormally.



7## † o
#

u
" h 7## k u
u

= @

- - k
- - @
- - #

- - # ut

u \ two conditions:
(1) This device may not cause harmful interference, and (2) this device must accept any interference received, including interference that may cause undesired operation.

RF Exposure Statement

To maintain compliance with FCC's RF Exposure guidelines, This equipment should be installed and operated with minimum distance of 20cm the radiator your body. This device and its antenna(s) must not be co-located or operation in conjunction with any other antenna or transmitter