

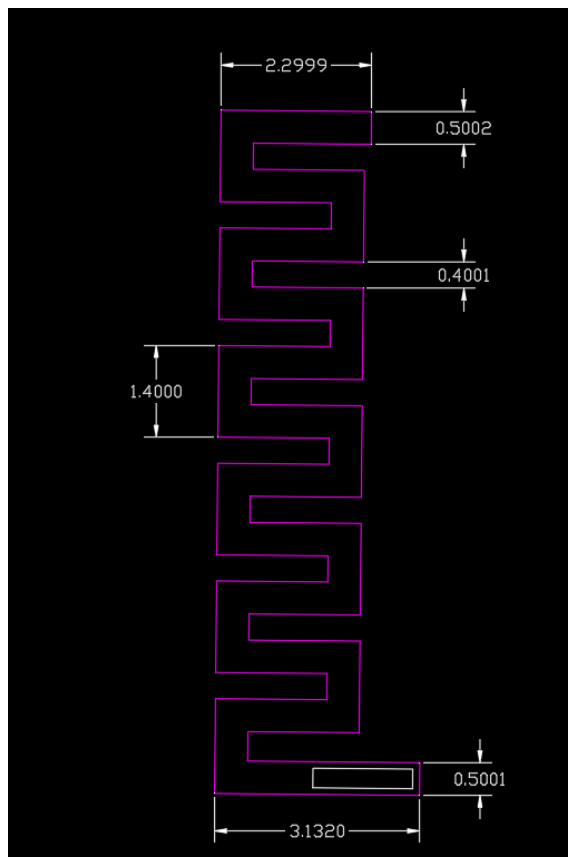
Antenna describe

1. Antenna describe:

Antenna plate	Monoploe antenna
Make name/model name	CK160
Antenna gain	0.5dBi
Frequency range	2.4GHZ-2.483GHZ
Connector type	direct
Location of mearement (company name)	Shenzhen ADDX Innovation Technology co., LTD

2. External view drawing:

Picture of antenna

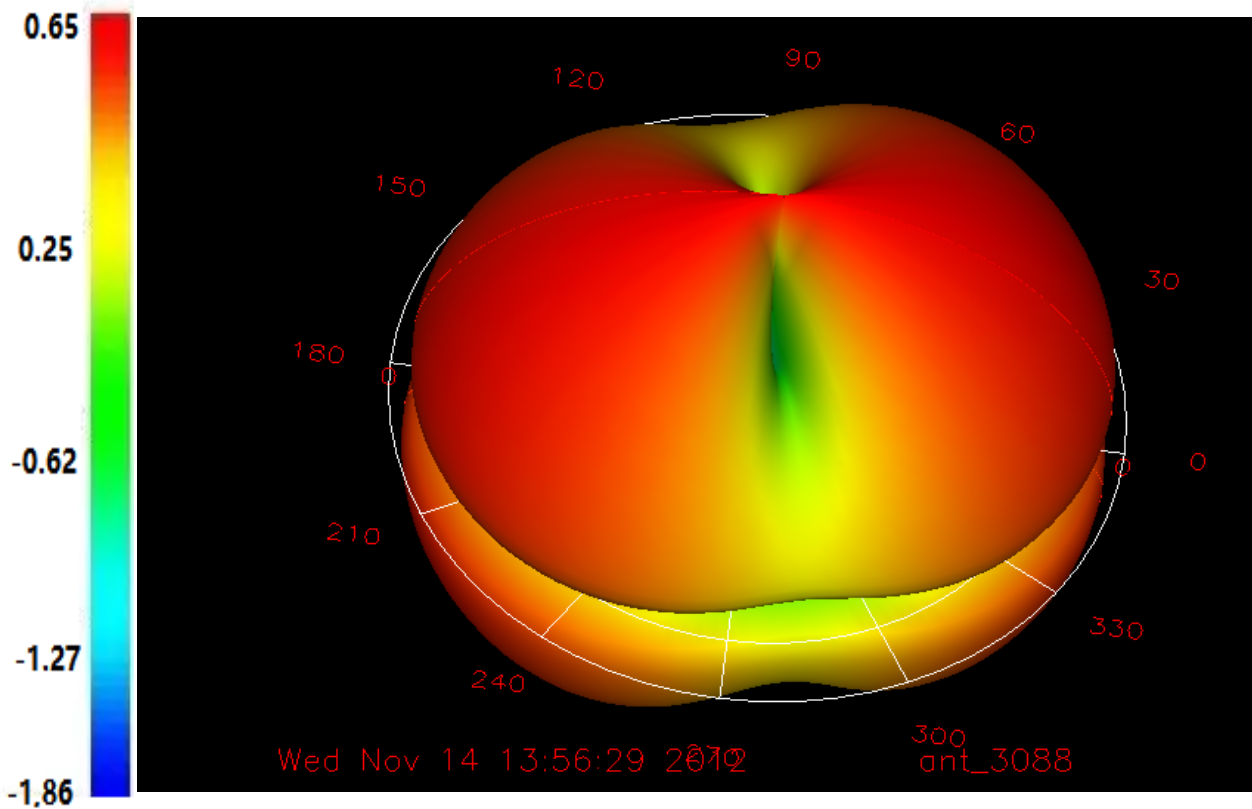


3. Antenna Radiation Pattern

Radiation pattern@2.402GHZ

Total Peak Gain:0.5dbi

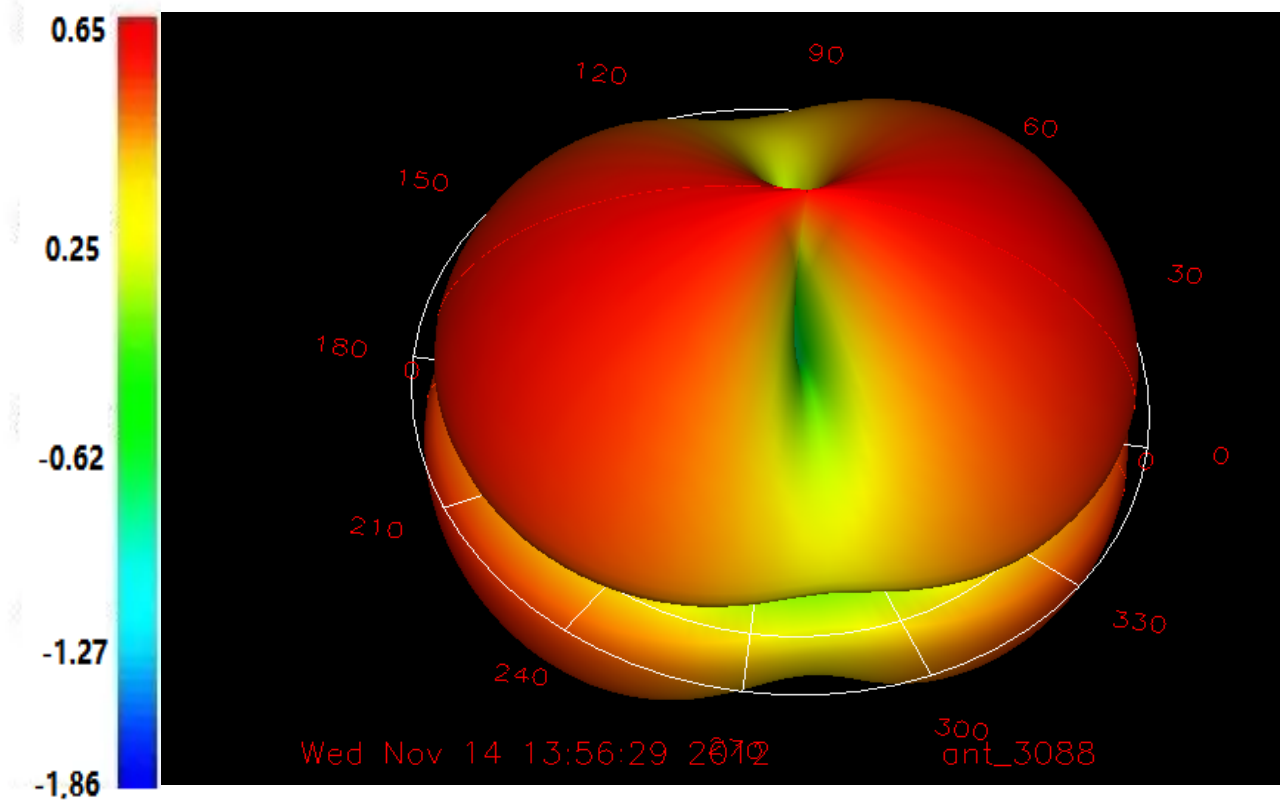
Phi	0	45	90	135	180	235	270	315
Gain	0.5	-0.3	-0.8	-0.18	0.26	-0.6	-0.8	-0.5



Radiation pattern@2.441GHZ

Total Peak Gain:0.47dbi

Phi	0	45	90	135	180	235	270	315
Gain	0	0.47	-0.3	-0.6	0.25	-0.2	-0.6	-0.4



Radiation pattern@2.480GHZ

Total Peak Gain:0.237dbi

Phi	0	45	90	135	180	235	270	315
Gain	0	0.237	-0.2	-0.5	0	-0.3	-0.6	-0.2

