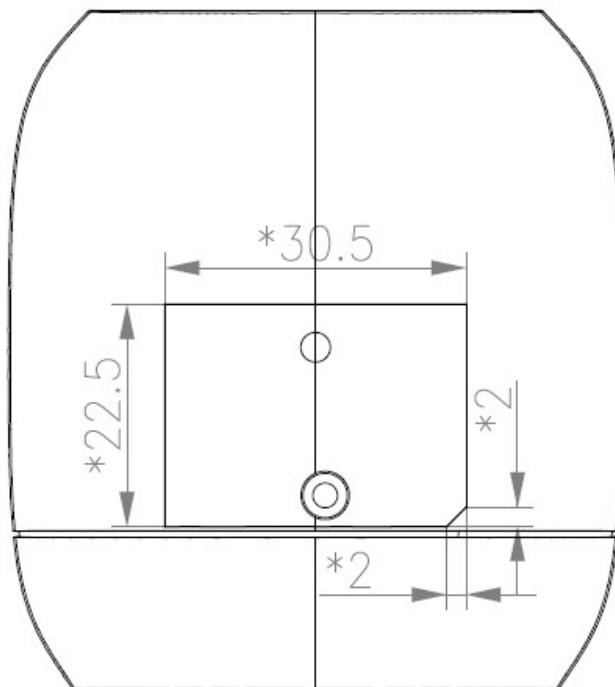


FCC ID: 2AUSBFR1A1

Label Location:





(單位: mm)

(Bottom)

Label Information:

Ardomus Networks Corporation
Input (輸入電源): 100-240 V~, 50-60 Hz
Model Name (型號): FR1A01US00
FCC ID: 2AUSBFR1A1
CCAI19LP2610T0
Serial Number: XXXXXXXXXXXXXXXX
MAC: XXXXXXXXXXXXXXXX



Max. Load: 2 loops x 600 W
Designed by Ardomus in Taiwan. Made in Taiwan.