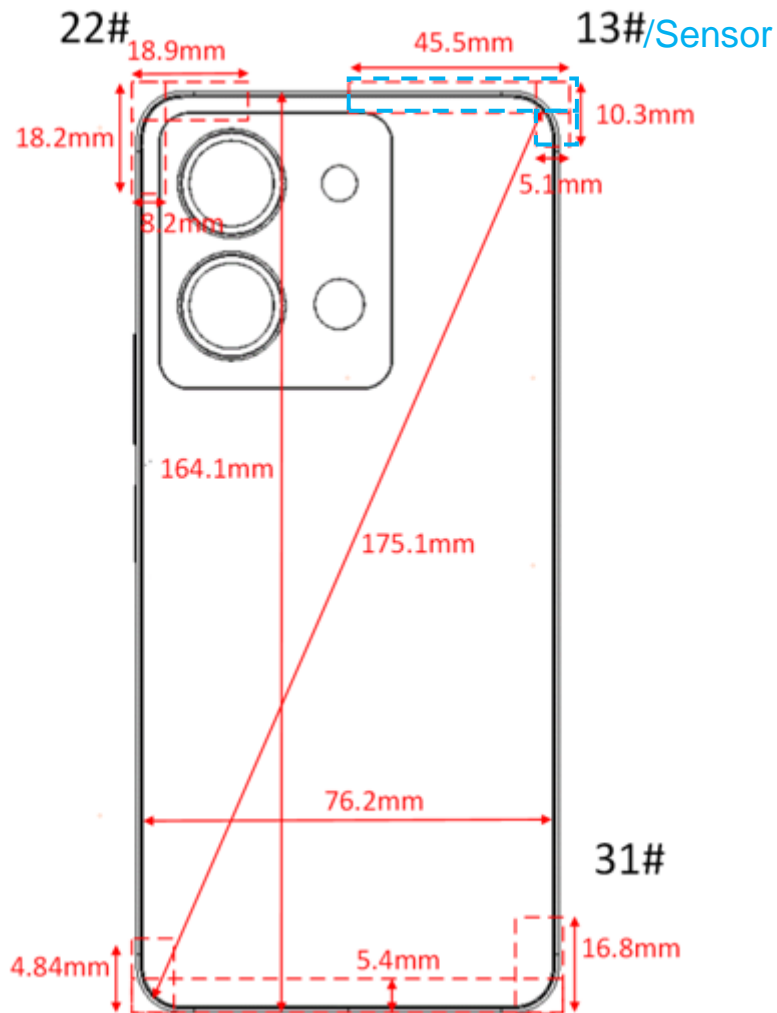


# Appendix F

## Antenna Locations

1. Detailed DUT Antenna Locations
-----------------------------------

## 1. Detailed DUT Antenna Locations (Back View)



Antenna	TX Bands
Ant 13#	GSM:850/1900, WCDMA:B2/4/5 LTE:B2/B4/B5/B7/B12/B13/B17/B18/B19/B26/B38/B41/B66
Ant 22#	WiFi2.4G/5G; BT
Ant 31#	GSM:850/1900, WCDMA:B2/4/5 LTE:B2/B4/B5/B7/B12/B13/B17/B18/B19/B26/B38/B41/B66