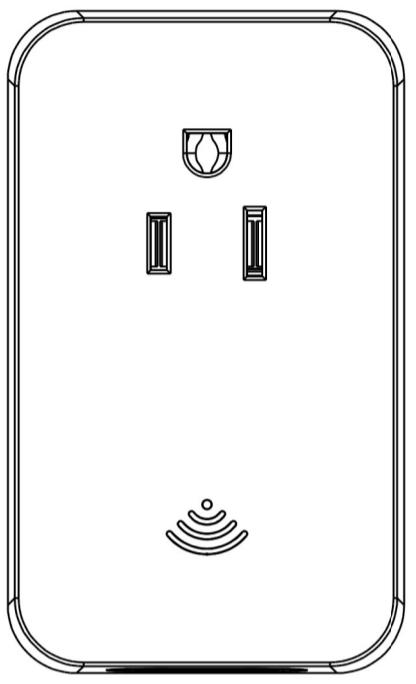
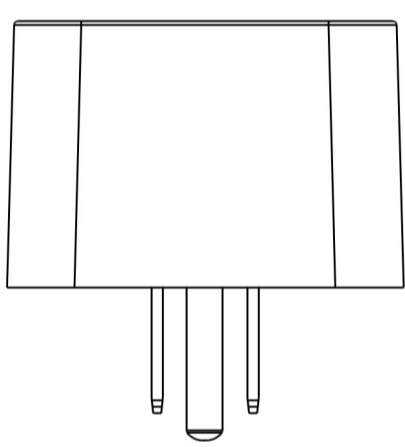
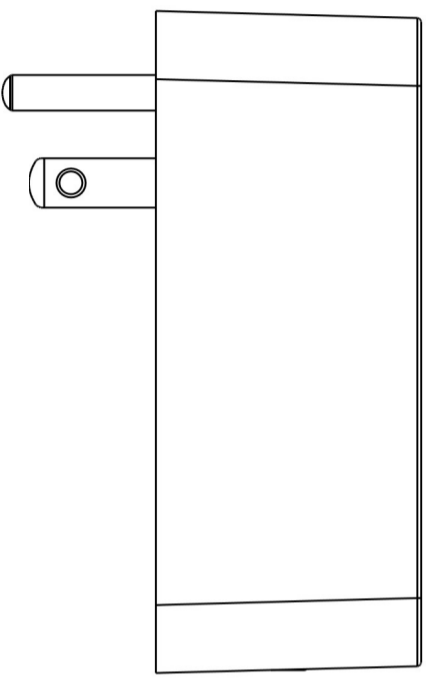
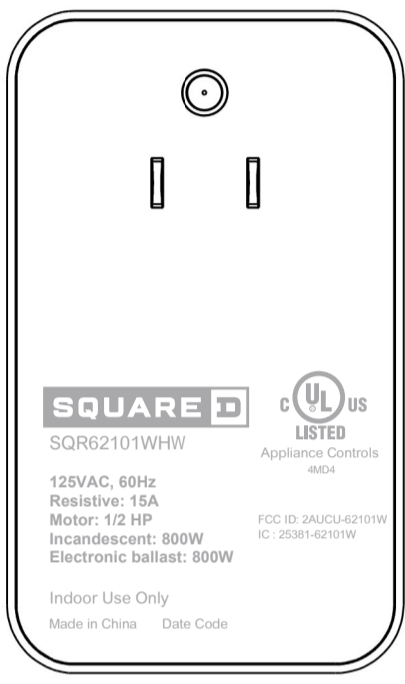
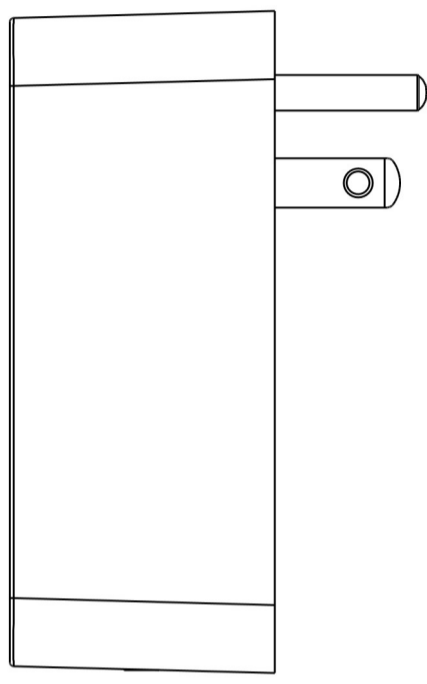
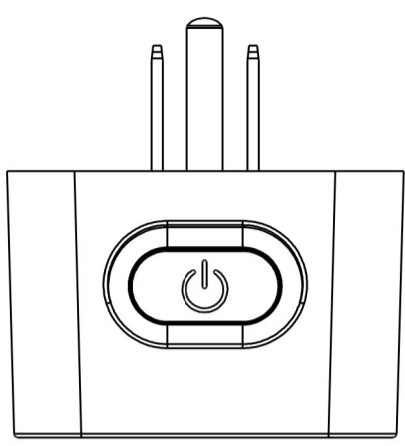


2 3 4 5 6 7 8 9 10



<i>Part range or family</i>		<i>Part designed by:</i>		<i>Part approved by:</i>		<i>Validation Date:</i>		<i>Part Application note:</i>	
<i>Material Ref:</i>		<i>Material Desc:</i>		<i>Material Rec:</i>		<i>Treatment 1:</i>		<i>Treatment 2:</i>	
<i>Material Desc:</i>		<i>Material Rec:</i>		<i>Treatment 1:</i>		<i>Treatment 2:</i>		<i>Scale:</i>	
<i>Material Rec:</i>		<i>Treatment 1:</i>		<i>Treatment 2:</i>		<i>Scale:</i>		<i>Technical Specification:</i>	
<i>Treatment 1:</i>		<i>Treatment 2:</i>		<i>Scale:</i>		<i>Technical Specification:</i>		<i>Units of measure:</i>	
<i>Treatment 2:</i>		<i>Scale:</i>		<i>Technical Specification:</i>		<i>Units of measure:</i>		<i>Document Description:</i>	
<i>Scale:</i>		<i>Technical Specification:</i>		<i>Units of measure:</i>		<i>Document Description:</i>		<i>Document Number:</i>	
<i>Document Description:</i>		<i>Document Number:</i>		<i>State:</i>		<i>Doc. Rev.</i>		<i>Sheet:</i>	
<i>Document Number:</i>		<i>State:</i>		<i>Doc. Rev.</i>		<i>Sheet:</i>		<i>WFISPM-BACK</i>	
<i>State:</i>		<i>Doc. Rev.</i>		<i>Sheet:</i>		<i>WFISPM-BACK</i>		<i>1 / 1</i>	