

# 产品承认书

## SPECIFICATION FOR APPROVED

版本: REV. A0

客户

Customer

:

客户料号

Customer's P/N

:

品名

Description

:

产品型号

Spceification

:

图纸编号

Drawing No.

:

antenna

I451205631J

出图		
DRAWING		
制表	审核	批准
Prepared By	Checked By	Approved By
肖超杰		冷勇
DATE	2021/12/27	

承认	
CUSTOMER APPROVAL	
杨翔	冷勇
DATE:	

东莞市容奥电子有限公司

Dongguan City Rong Ao electronics Co., LTD

Baihui Center, No.121 Dongmen Middle Road,  
Changan Town, Dongguan City, 1911-1913

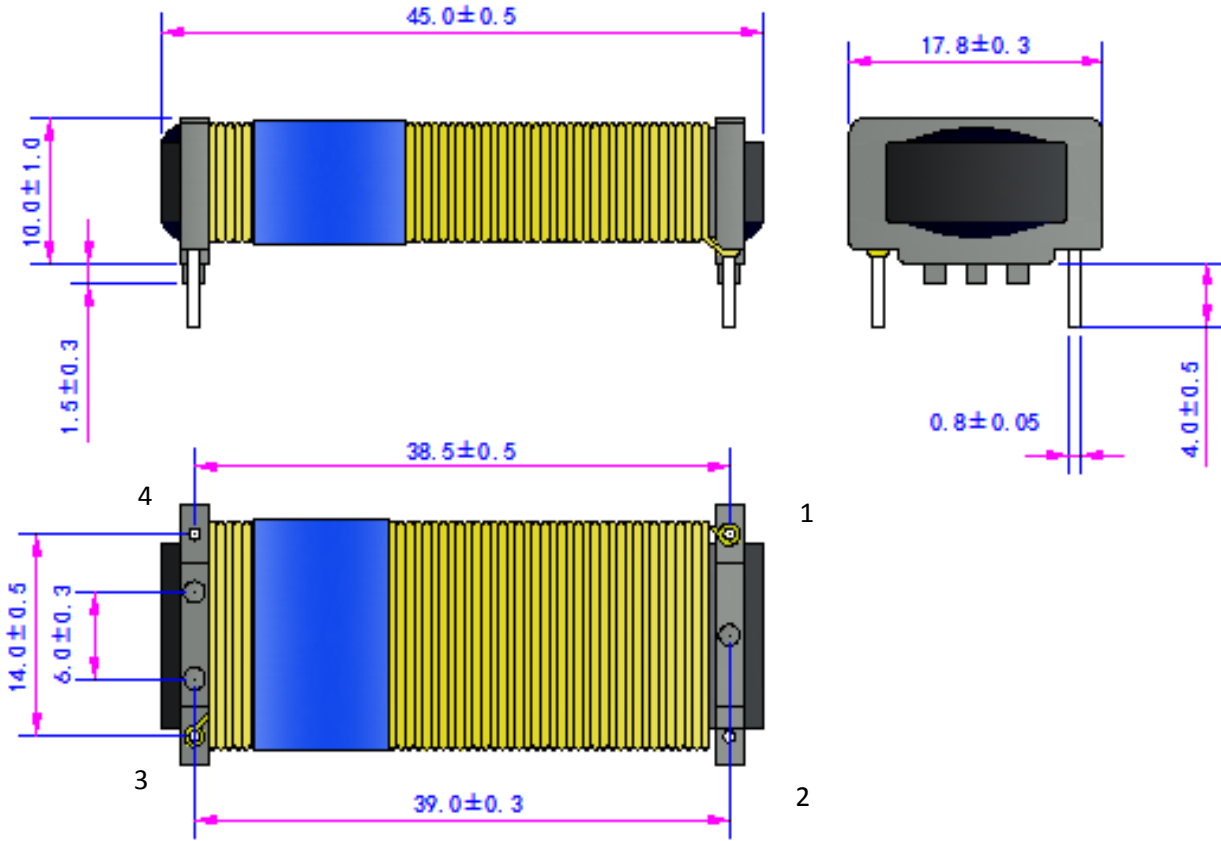
phone: 0769-82649971

fax: 0769-82649970



CUSTOMER		CUSTOMER No.	0	REF No.		PAGE
ITEM	antenna		DRAWING No.			1/3
DESCRIPTION	I451205631J	ISSUE DATE	2021/12/27	VERSION	A0	

1、 DIMENSION(mm):



PIN1 Wind the wire inward counterclockwise, blue tape 3TS PIN1-3, and add TFL TUBE to the position of outlet PIN3

2. TEMPERATURE RATING:

Operating Temperature	
Storage Temperature	

# SPECIFICATION FOR APPROVAL

RoHS  
COMPLIANT

CUSTOMER		CUSTOMER No.	0	REF No.		PAGE
ITEM	antenna		DRAWING No.			2/3
DESCRIPTION	I451205631J	ISSUE DATE	2021/12/27	VERSION	A0	

### 3、ELECTRICAL REQUIREMENTS:

ITEM	SPEC	TOLERANCE	TEST FREQUENCY	TEST EQUIPMENT
L(1-3)	630uH	±20uH	1KHz/0.25V	CH-3250
DCR	1Ω	Max	At 25°C	CH-502
Q	30	Min	100KHz/1V	CH-3250
Isat	3A	L3A/L<70%	1KHz/0.25V	CH-3250/CH-1310
Irms	1.4A	Δt<40°C	25°C	CH-3250/CH-1310

### 4、MATERIAL LIST:

No.	Material	Specification	Supply's name	Remark
1	CORE	MN/Zn Ferrite Core	TDG/ACM/XINGCHEN	
2	Wire	2UEWB 0.4*120TS ref	YLSL	
3	EPOXY	Epoxy Resin Magnetic Powder	DZ	
4	BOBBIN	PM9820	MGG	
5	TFL TUBE	24#	CY	

CUSTOMER				LOT No.			
CUSTOMER No.	0			QUANTITY	30PCS	DATE	2021/12/27
DRAWING No.				DIMENSION(UNIT: mm)			
ITEM	I451205631J						
DESCRIPTION	天线						
TEST FREQ	1KHz/0.25V						
TEMPERATURE	25 °C	HUMIDITY	75%				

5.TESTING DATA:

ELECTRONICAL TEST DATA			OREALL DIMENSION (UNIT: mm)										
	L 1-3 (uH)	DCR (Ω)											
SPEC	630±20uH	1 Max											
1	635	0.79											
2	632	0.79											
3	628	0.80											
4	622	0.80											
5	627	0.79											
6													
7													
8													
9													
10													
$\bar{X}$	628.80	0.79											
R	13.0	0.01											

TEST EQUIPMENT: ALL JUDGE  OK  NG

- L  3250
- DCR  CH-502
- IDC  3250+1310