

KC.IG.00086 (A1 版-变更材质)

Antenna Specification

1. Application:

This application shall apply for antenna unit which shall be used such as automotive, conventional communications, smart home, etc..

1. Electrical Specification:


Those specifications were specially defined for customer's model, and all characteristics were measured under the model's handset testing jig .

2-1. Frequency Band/ANT Gain:

Frequency Band	Gain
315/433MHz	0dBi

2-2. Impedance

50 ohm nominal

UNLESS OTHER SPECIFIED TOLERANCES ON : X=± X.X=± X.XX=± ANGLES=± HOLEDIA=±		 TOXU TECHNOLOGY CO., LTD.
SCALE :	UNIT : mm	
DRAWN BY: LI	CHECKED BY: YS	THIS DRAWINGS AND SPECIFICATIONS ARE THE PROPERTY OF KINGRF TECHNOLOGY CO.,LTD.AND SHALL NOT BE REPRODUCED OR USED AS THE BASIS FOR THE MANUFACTURE OR SALE OF APPARATUS OR DEVICES WITHOUT PERMISSION
DESIGNED BY: De wen	APPROVED BY: YS	
TITLE : KC.IG.00086 Antenna Specification		SPEC REV.
		P0

2-3. VSWR

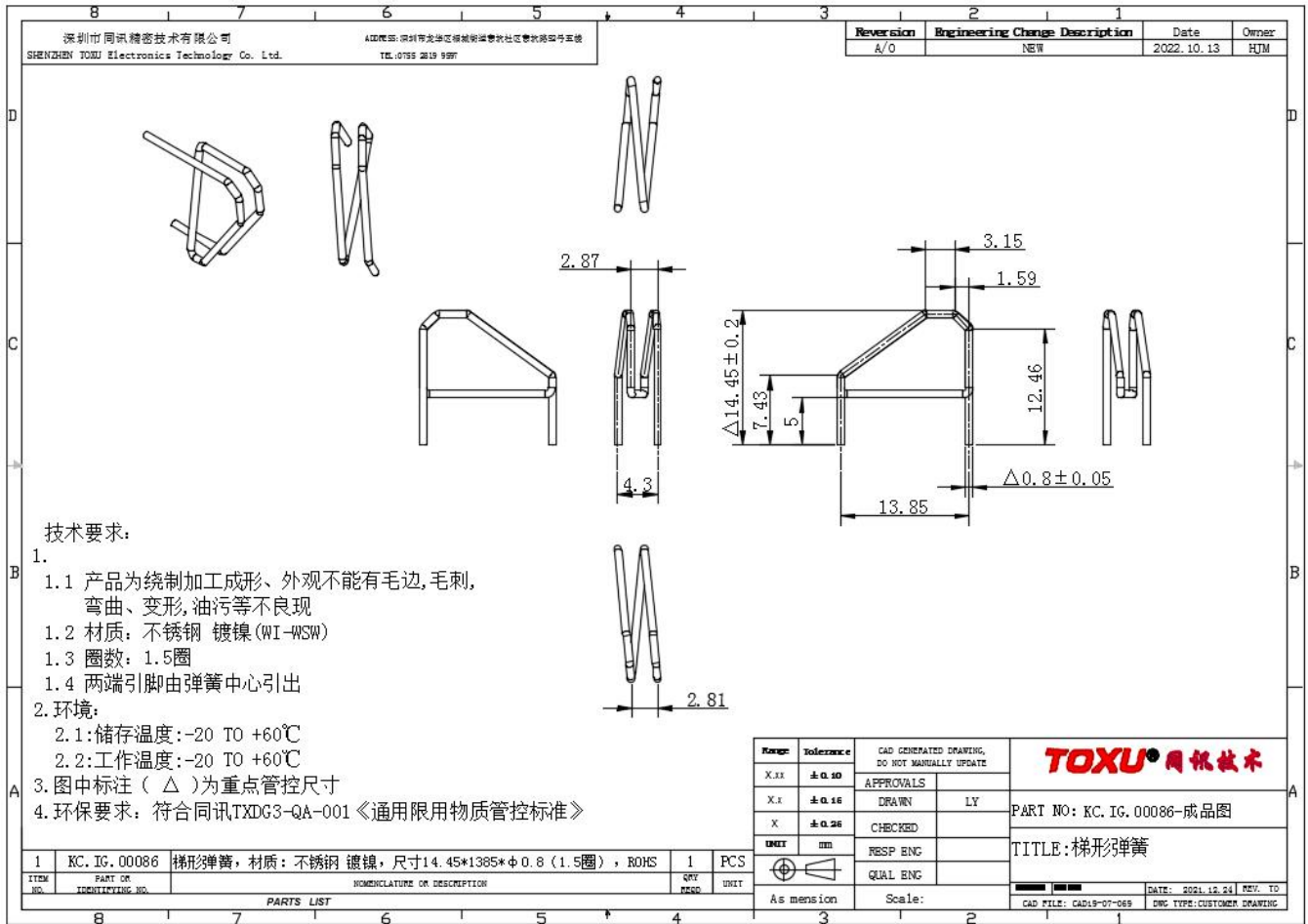


UNLESS OTHER SPECIFIED TOLERANCES ON :		TOXU® 同讯技术	TOXU TECHNOLOGY CO., LTD.
X=± X.X=± X.XX=± ANGLES=± HOLEDIA=±			
SCALE :	UNIT : mm	THIS DRAWINGS AND SPECIFICATIONS ARE THE PROPERTY OF KINGRF TECHNOLOGY CO.,LTD.AND SHALL NOT BE REPRODUCED OR USED AS THE BASIS FOR THE MANUFACTURE OR SALE OF APPARATUS OR DEVICES WITHOUT PERMISSION	
DRAWN BY: LI	CHECKED BY: YS		
DESIGNED BY: De wen	APPROVED BY: YS		
TITLE : KC.IG.00086 Antenna Specification			SPEC REV. P0

3. Mechanical Specification:

3-1. Mechanical Configuration (Unit: mm)

The appearance of the antenna is according to drawing




UNLESS OTHER SPECIFIED TOLERANCES ON :		TOXU® 同讯技术	TOXU TECHNOLOGY CO., LTD.
X=±	X.X=±		
ANGLES=±		HOLEDIA=±	
SCALE :	UNIT : mm	THIS DRAWINGS AND SPECIFICATIONS ARE THE PROPERTY OF KINGRF TECHNOLOGY CO.,LTD.AND SHALL NOT BE REPRODUCED OR USED AS THE BASIS FOR THE MANUFACTURE OR SALE OF APPARATUS OR DEVICES WITHOUT PERMISSION	
DRAWN BY: LI	CHECKED BY: YS		
DESIGNED BY: De wen	APPROVED BY: YS		
TITLE : KC.IG.00086 Antenna Specification			SPEC REV. P0

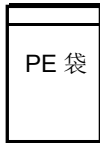
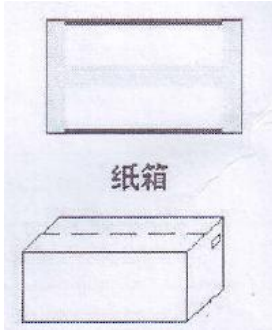
3-2. Connector appearance: weld


3-3.Product Image:



UNLESS OTHER SPECIFIED TOLERANCES ON :			TOXU TECHNOLOGY CO., LTD.
X=±	X.X=±		
ANGLES=±		HOLEDIA=±	
SCALE :	UNIT : mm		
DRAWN BY: LI	CHECKED BY: YS		
DESIGNED BY: De wen	APPROVED BY: YS		
TITLE : KC.IG.00086 Antenna Specification			SPEC REV.
			P0

5.包装规格:

产品料号: XXX			
产品型号: XXX			
一、标签要求:			
需方	XXX		
供方	XXXXX		
物料编码	XX		
产品型号	XX		
数量/单	XXX PCS	出厂日期	X 年 X 月 X 日
备注/其他			
二、装箱要求:			
作业说明:			
1. 内包装:			
产品 XXpcs 一袋, 放入小 PE 袋;			
2. 外包装:			
XxPCS 一箱;			
3. 注意事项:			
a. 是否要增设隔板、珍珠棉;			
b. 标签的帖附, 如 ROHS 等;			

UNLESS OTHER SPECIFIED TOLERANCES ON :			TOXU TECHNOLOGY CO., LTD.
X=±	X.X=±		
ANGLES=±	HOLEDIA=±		
SCALE :	UNIT : mm		
DRAWN BY: LI	CHECKED BY: YS		
DESIGNED BY: De wen	APPROVED BY: YS		
TITLE : KC.IG.00086 Antenna Specification			THIS DRAWINGS AND SPECIFICATIONS ARE THE PROPERTY OF KINGRF TECHNOLOGY CO.,LTD.AND SHALL NOT BE REPRODUCED OR USED AS THE BASIS FOR THE MANUFACTURE OR SALE OF APPARATUS OR DEVICES WITHOUT PERMISSION
			SPEC REV. P0