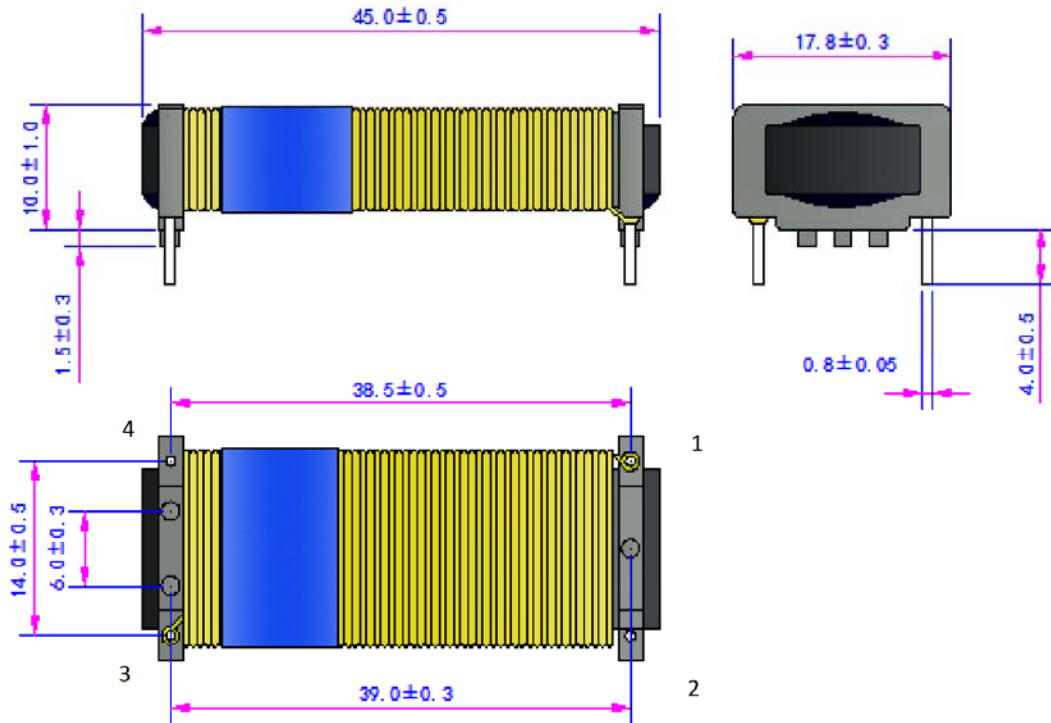


## 0.125-0.125MHzAntenna Specification

1. Manufacturer: Dongguan Rongao Electronics Co., Ltd.
2. Antenna Model: I451205681J
3. Frequency band: 0.125-0.125MHz
4. DIMENSION(mm):



### 315-315/433.92-433.92MHz Antenna Specification

1. Manufacturer: KINGRF Electronics Technology Co., Ltd.
2. Antenna Model: TTK3
3. Frequency band: 315-315/433.92-433.92MHz
4. DIMENSION(mm): 50mm L\*5mm H

