



Automotive Diagnostic Dongle
Model: TKVCI

Statement: **XHINKCAR | THINKCAR** owns the complete intellectual property rights for the software used by this product. For any reverse engineering or cracking actions against the software, XHINKCAR | THINKCAR will block the use of this product and reserve the right to pursue their legal liabilities.

FCC Warning

This device complies with Part 15 of the FCC Rules. Operation is subject to the following two conditions:

(1) This device may not cause harmful interference, and (2) this device must accept any interference received, including interference that may cause undesired operation.

NOTE 1: This equipment has been tested and found to comply with the limits for a Class B digital device, pursuant to part 15 of the FCC Rules. These limits are designed to provide reasonable protection against harmful interference in a residential installation. This equipment generates, uses and can radiate radio frequency energy and, if not installed and used in accordance with the instructions, may cause harmful interference to radio communications. However, there is no guarantee that interference will not occur in a particular installation. If this equipment does cause harmful interference to radio or television reception, which can be determined by turning the equipment off and on, the user is encouraged to try to correct the interference by one or more of the following measures:

- Reorient or relocate the receiving antenna.
- Increase the separation between the equipment and receiver.
- Connect the equipment into an outlet on a circuit different from that to which the receiver is connected.
- Consult the dealer or an experienced radio/TV technician for help.

NOTE 2: Any changes or modifications to this unit not expressly approved by the party responsible for compliance could void the user's authority to operate the equipment.

The device has been evaluated to meet general RF exposure requirement. The device can be used in portable exposure condition without restriction.

IC Warning

"This device complies with Industry Canada's license-exempt RSSs. Operation is subject to the following two conditions:

- (1) This device may not cause interference; and
- (2) This device must accept any interference, including interference that may cause undesired operation of the device."

« Le présent appareil est conforme aux CNR d'Industrie Canada applicables aux appareils radio exempts de licence.

L'exploitation est autorisée aux deux conditions suivantes : (1) l'appareil ne doit pas produire de brouillage, et

(2) l'utilisateur de l'appareil doit accepter tout brouillage radioélectrique subi, même s'il est susceptible d'en compromettre le fonctionnement. »

The device has been evaluated to meet general RF exposure requirement. The device can be used in portable exposure condition without restriction.

L'appareil a été évalué pour répondre aux exigences générales en matière d'exposition aux RF. L'appareil peut être utilisé en condition d'exposition portable sans restriction.

Copyright Information

Copyright © 2022 by THINKCAR TECH CO., LTD (hereinafter referred to as "THINKCAR"). All rights reserved. No part of this publication may be reproduced, stored in a retrieval system, or transmitted in any form or by any means, electronic, mechanical, photocopying and recording or otherwise, without the prior written permission of THINKCAR. The information contained herein is designed only for the use of this unit. THINKCAR is not responsible for any use of this information as applied to other units.

Neither THINKCAR nor its affiliates shall be liable to the purchaser of this unit or third parties for damages, losses, costs, or expenses incurred by purchaser or third parties as a result of: Accident, misuse, or abuse of this unit, or unauthorized modifications, repairs, or alterations to this unit, or failure to strictly comply with THINKCAR operating and maintenance instructions. THINKCAR shall not be liable for any damages or problems arising from the use of any options or any consumable products other than those designated as Original THINKCAR Products or THINKCAR Approved Products.

Formal statement: The names of other products mentioned in this manual are intended to explain how to use this equipment, and the registered trademark ownership still belongs to the original company.

This equipment is designed for professional technicians or maintenance personnel.

Trademark

THINKCAR TECH CO., LTD has registered trademarks in China and some overseas countries. The registered marks include but are not limited to "THINKCAR" and "XHINKCAR". Without the written consent of THINKCAR TECH CO., LTD, no one can use the trademark of THINKCAR TECH CO., LTD, otherwise, THINKCAR TECH CO., LTD will protect its legitimate rights and interests through legal procedures. You may contact THINKCAR TECH CO., LTD. by visiting the website at www.thinkcar.com, or writing to THINKCAR TECH CO., LTD., Room 2606, Block#4, Tian'an Cloud Park, Bantian, Longgang District, Shenzhen, China, to request written permission to use Materials on this manual for purposes or for all other questions relating to this manual.

Safety Precautions and Warnings

To avoid personal injury, property loss, or accidental damage to the product, read all of the information in this section before using the product.

Handle equipment carefully

Do not drop, bend, or puncture the tool, or insert extra objects into or place heavy objects on the device. The vulnerable components inside may be damaged.

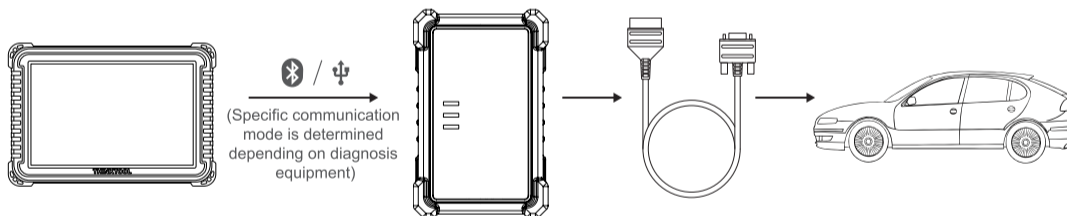
Do not disassemble or modify the equipment

The device is a sealed device with no user-serviceable parts inside. All internal repairs must be performed by an authorized maintenance organization or qualified technician. Attempts to disassemble or modify the device will void the warranty.

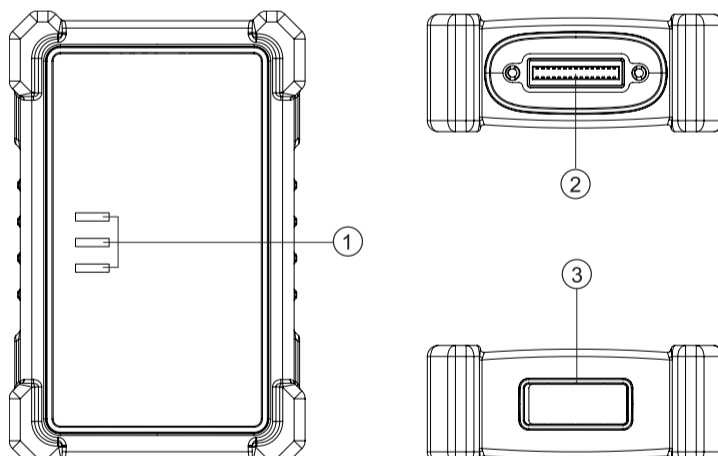
Quick Start Manual

Initial Use

The following settings should be made when you initially use the device.



THINKCAR TVCI



NO.	Name	Descriptions																				
1	Indicator light	Three LED indicators are provided on each side, and the prompts are as follows: <ul style="list-style-type: none"> • Power: All lights on to indicate that the power is on • Vehicle: Long red light means it is communicating with the vehicle • I/O: Blue and Green flashing light means the USB is connected to the device. 																				
2	DB30 diagnostic port	Plug in the diagnostic cable whose OBD 16-pin connector is linked to the DLC of the vehicle.																				
3	Type-C port	Type-C port is designed for building stable communication while ECU Programming or IMMO Key Programming.																				
4	Supporting protocols	<table border="0"> <tr> <td>ISO 9142</td> <td>GM UART</td> </tr> <tr> <td>ISO 14230</td> <td>TP 2.0</td> </tr> <tr> <td>ISO 15765</td> <td>TP 1.6</td> </tr> <tr> <td>K/L-Line</td> <td>UART Echo Byte Protocol</td> </tr> <tr> <td>CAN ISO 11898</td> <td>Honda Diag-H Protocol</td> </tr> <tr> <td>SAE-J1850 PWM</td> <td>SAE J1939</td> </tr> <tr> <td>Highspeed CAN</td> <td>SAE J1708</td> </tr> <tr> <td>Middlespeed CAN</td> <td>SAE-J2610</td> </tr> <tr> <td>CAN FD Protocol</td> <td>Fault-Tolerant CAN</td> </tr> <tr> <td>Lowspeed and Singlewire CAN</td> <td></td> </tr> </table>	ISO 9142	GM UART	ISO 14230	TP 2.0	ISO 15765	TP 1.6	K/L-Line	UART Echo Byte Protocol	CAN ISO 11898	Honda Diag-H Protocol	SAE-J1850 PWM	SAE J1939	Highspeed CAN	SAE J1708	Middlespeed CAN	SAE-J2610	CAN FD Protocol	Fault-Tolerant CAN	Lowspeed and Singlewire CAN	
ISO 9142	GM UART																					
ISO 14230	TP 2.0																					
ISO 15765	TP 1.6																					
K/L-Line	UART Echo Byte Protocol																					
CAN ISO 11898	Honda Diag-H Protocol																					
SAE-J1850 PWM	SAE J1939																					
Highspeed CAN	SAE J1708																					
Middlespeed CAN	SAE-J2610																					
CAN FD Protocol	Fault-Tolerant CAN																					
Lowspeed and Singlewire CAN																						

Warranty Terms

- This warranty applies only to users and distributors who purchase THINKCAR products through normal procedures.
- Within one year from the date of delivery, THINKCAR warrants its electronic products for damages caused by defects in materials or workmanship.
- Damages to the equipment or components because of abuse, unauthorized modification, use for non-designed purposes, operation in a manner not specified in the instructions, etc. are not covered by this warranty.
- The compensation for dashboard damage caused by the defect of this equipment is limited to repair or replacement. THINKCAR does not bear any indirect and incidental losses.
- THINKCAR will judge the nature of the equipment damage according to its prescribed inspection methods. No agents, employees or business representatives of THINKCAR are authorized to make any confirmation, notice or promise related to THINKCAR products.

Thinkcar Tech Inc

Service Line: 1-909-757-1959

Customer Service Email: support@thinkcar.com

Official Website: www.thinkcar.com

Products tutorial, videos, Q&A and coverage list are available on Thinkcar official website.

Follow us on

