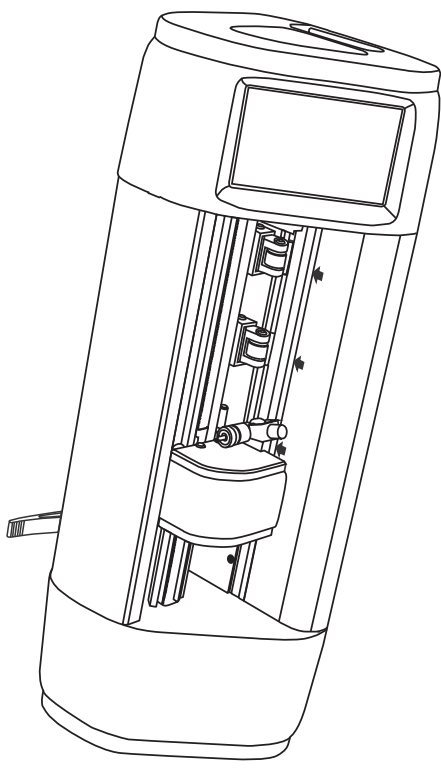


ZC1 Integrated Plotter | User Manual |



Shenzhen Renqing Excellent Investment Co., Ltd.
Address: 3/F, No.7, Longfu Industrial Zone, Huarong Road,
Longsheng Community, Dalang Street,
Longhua District, Shenzhen, China
Hotline: 400-618-2227

Please read the manual carefully before using the product and keep it properly.



NOTE: This equipment has been tested and found to comply with the limits for a Class B digital device, pursuant to part 15 of the FCC Rules. These limits are designed to provide reasonable protection against harmful interference in a residential installation. This equipment generates uses and can radiate radio frequency energy and, if not installed and used in accordance with the instructions, may cause harmful interference to radio communications. However, there is no guarantee that interference will not occur in a particular installation. If this equipment does cause harmful interference to radio or television reception, which can be determined by turning the equipment off and on, the user is encouraged to try to correct the interference by one or more of the following measures:

- Reorient or relocate the receiving antenna.
- Increase the separation between the equipment and receiver.
- Connect the equipment into an outlet on a circuit different from that to which the receiver is connected.
- Consult the dealer or an experienced radio/TV technician for help.

This equipment complies with FCC radiation exposure limits set forth for an uncontrolled environment. This equipment should be installed and operated with minimum distance 20cm between the radiator & your body.

Changes or modifications not expressly approved by the party responsible for compliance could void the user's authority to operate the equipment.

This device complies with Part 15 of the FCC Rules. Operation is subject to the following two conditions:

- 1) this device may not cause harmful interference, and
- 2) this device must accept any interference received, including interference that may cause undesired operation.

ZC1 Integrated Plotter User Manual

The sketch map used in this user manual is for reference only and the actual product in the package shall prevail.

This product information is subject to the website of rock space (<http://www.uzien.com>) and is subject to change without notice.

The descriptions and images involved are subject to the actual contents of the box, and to the extent permitted by Chinese laws and regulations, Shenzhen Renqing Excellent Investment Co., Ltd. reserves the right to interpret. The user manual and related product materials are subject to the Chinese content for products sold in mainland China, while English and other languages content for global sales are for contrast only.

This manual is for reference only. Except for the current laws and regulations in China, Shenzhen Renqing Excellent Investment Co., Ltd. does not undertake any liability for direct or indirect damages resulting from the use of this manual.

Additional information could refer to other forms of material including but not limited to the product itself, product package and rock space website

Specification

Model No.	ZC1
Maximum feed width	220mm
Maximum cutting width	166 mm
Feed slot width	220mm
Cutting precision	0.1mm
Repeat accuracy	0.1mm
Cutting speed	30mm/s
Cutting pressure	350g
Control panel	5-inch color LCD capacitive screen
Network access	802.11n Wireless LAN
Input	100-240V/ 2A/ 50-60Hz
Output	24V/2.75A DC
Power	< 100W
Service temperature	-5°C~+45°C
Dimension	530×200×170mm
Net weight	6.5kg
Dimension(with package)	670×310×265mm

, R¥415

Thank you for purchasing rock space products. Please keep this warranty card and the National Taxation Bureau's standard sales certificate issued by the dealer when purchasing. You will be required to show the above certificate as the warranty basis when repair.

Product Warranty Card

Product : Integrated Plotter Model No : ZC1

Item No. : _____ Product Origin : China

The following columns require the sales UNIT to assist the user in completing the entry, with the * number being mandatory.

User name* : _____ Contact number* : _____

Email* : _____ Fax: _____

User address* : _____ Postal code* : _____

Sales Unit Name* : _____ (Seal valid)

Address* : _____

Contact* : _____

Phone* : _____

Postal code* : _____

Sales Date* : _____ Day/Month/Year

Invoice number* : _____

Installation Date* : _____ Day/Month/Year


Warranty Policy

rock space products shall calculate the warranty period and the validity period of "Three Guarantees" from the date of invoicing, during which the faults that occur under normal conditions could be repaired, replaced, and returned according to the "Three Guarantees" regulations. Within the warranty period (including the validity period of three guarantees), the following conditions will not enjoy the "three guarantees" service. <Except otherwise agreed:>:

- (1) The failure or damage of the product is due to the user in work environment other than that specified by the company (such as power supply, temperature, humidity, atmospheric pressure, etc.).
- (2) The failure or damage of the product is caused by the user's use of non-rock space-specific or appointed options, accessories (such as battery leakage or explosion, etc.).
- (3) Failure or damage of the product caused by virus infection during the use of the product.
- (4) Product failure and damage caused by users using non-rock space-specific genuine consumables.
- (5) Failures and damages or the loss of product parts caused by improper storage of the user (such as rodent pests, insect pests, liquid infiltration, foreign matter entry, etc.).
- (6) Failure and damage caused by human factors, or caused by not obeying the operation and precautions written in accordance with the instructions for use of the product (the product itself, the product package, the product manual/instructions, and other forms of information).
- (7) Failure caused by computer software and hardware connections.
- (8) Damage caused by the user's moving and transporting.
- (9) Failures and damages caused by the disassembly, repair, modification, etc. of rock space products without the written authorization of rock space.
- (10) Failure or damage due to force majeure.

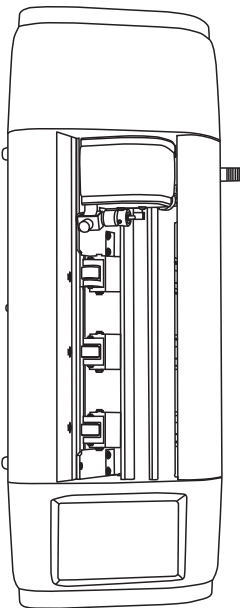
Warranty Declaration

- (1) **In the case of failure of products in Hong Kong, Macao, Taiwan and overseas countries or regions, which need to be returned to the factory for repair, the return shipping costs are all borne by the customer. Rock space only bears the domestic logistics costs when sending the products back to customer.**
- (2) The user cannot present the valid warranty certificate (original "warranty label" or "invoice" for the warranty card or warranty manual), or the purchase date and sales unit name (seal valid) filled in the product warranty card or warranty manual and invoice is incomplete, altered or forged, the product warranty period shall be based on the information recorded by rock space.
- (3) When applying for return or exchange service, the user needs to provide a valid invoice, product warranty certificate (original warranty card or warranty certificate), original packing box and random accessories for the product when purchasing.
- (4) Consumables (cutter heads, screen protectors etc.) are not covered by the warranty.
- (5) The loss, damage, etc. of the random attachments are not provided free of charge by rock space.
- (6) The user must properly keep the warranty card of the product or the original "including the warranty label" of the warranty manual, without reissuing any warranty certificate.
- (7) The user shall be responsible for the security of the data stored in rock space's products and take necessary measures to protect and back up the data. rock space does not assume any direct or indirect responsibility for any user's loss of data such as documents or programs or failure of removable storage media.
- (8) Do not assume any responsibility for consequential damages and future revenues incurred by the product failure.

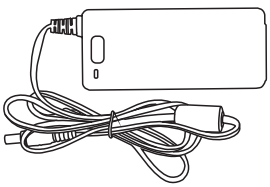
Question	State	Reason	Solution
What if the edge of the cutted film has sawtooth?		There is foreign objects at the tip of the blade.	Turn off the plotter, take off the cutter head and check if there is foreign objects at the tip of the blade and remove it.
		Not enough blade depth.	Take off the blade and re-install it, and adjust the scale of the knife to 0.5 more gear backward, and re-cut.
		The blade is broken or seriously worn.	The blade is broken or seriously worn, just replace it.
What if the plotter doesn't support to plot certain phone model?	No data found.	Model is under updating	You could contact the corresponding sales first. We will update preferentially, usually within 48 hours.

Product List

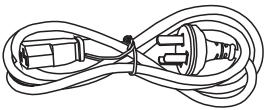
1



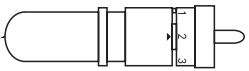
Plotter



Adapter cable



Power cable



Blade

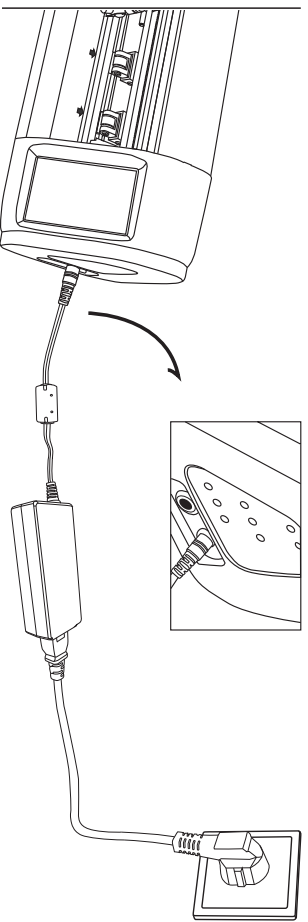



Cutter head

Power Description

2

1. Connect power cable to the adapter, and connect one end of the power cable to the power socket. To ensure the normal operation of the device, please use 220V/50 Hz AC power.
2. Connect one end of the adapter cable to the power interface of the plotter.
3. Install the cutter head to the cutter head clamp next to the driver to ensure it is fixed.
4. After the connection is completed, press the [Power button] to start the device.

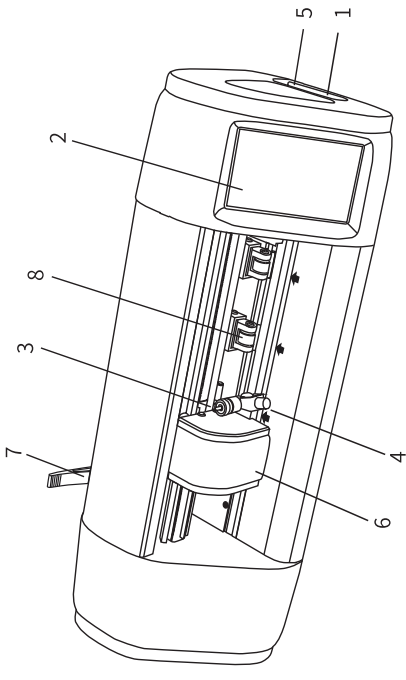


Question	State	Reason	Solution
After putting the film into the machine, what is the reason for the incomplete or abnormal cutting?		<p>The film is not pushed to the bottom or not put in along the paper guide slot and stuck outside.</p> <p>The compressive bar is not lifted that leads to the platen not fix the film.</p> <p>The cutter head is installed incorrectly</p>	<p>Lift the compressive bar up, take out the film and put the film along the paper guide slot and align with the arrow line.</p> <p>Lift the compressive bar up</p> <p>1. Turn off the device and take down the cutter head, check whether the scale is adjust to standard scale 2.</p> <p>2. Replace the cutting tool on the cutter holder and tighten the screw. Run a blade test.</p> <p>3. Turn on the device and reduce the scale, and then run a blade test.</p>
		<p>The scale of the cutter is too deep, which leads to the film warp and plot incomplete.</p>	

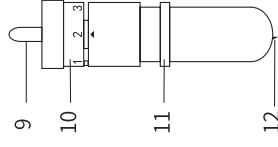
Breakdown Maintenance

Question	State	Reason	Solution
What if there is red light or gives an error and has an alarm sound during the cutting process?		<p>The network is unstable and the data transmission is interrupted during the cutting process.</p> <p>The compressive bar is not lifted, the cutting was not complete and the cutting command was not finished, thus the machine gives an error when cutting the next model.</p>	<p>Please reconnect to the network</p> <p>Lift the compressive bar up</p>
		<p>1.The original position detection of the sensor has an error.</p> <p>2.The cutter holder was shifted at booting time, which leads to the plotter to report an error while cutting.</p> <p>3.Repeat clicking on the "Plot", resulting in repeated operation commands.</p> <p>4.When the above five phenomena appear, please solve with the following methods.</p>	<p>1. Press the power button for 3 seconds to turn off the machine.</p> <p>2.Move the cutter holder (red box part) to the middle position of the machine at a uniform speed.</p> <p>3.Reboot the plotter and wait for the cutter holder to reset.</p>

Product Figure 3



1. Power button: Press to start the machine.
2. Operating display: 5 "LCD capacitor screen.
3. Cutter head: Cut explosion-proof film.
Please refer to 10, 11, 12 and 13 for more details.
4. Cutter head clamp: Lock the knife handle to fix the cutter head.
5. Power interface: Connect AC power through the power cable.
6. Driver (cutter holder): Drive the cutter head to move horizontally.
7. Compressive bar: Press to lift the platen to make the screen protector enter the device.
8. Platen: fixed screen protector.



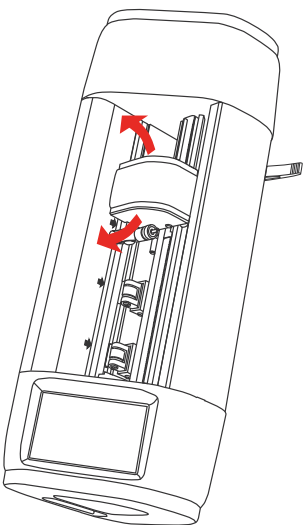
9. Button: press to replace the blade (Press only when changing the needle).
10. Setting circle: Rotate to adjust the cutting depth of the blade, "+" means to adjust to the deep, "-" means to adjust to the shallow.
11. Knife handle: Fixed with the cutter head. Before use, please tighten the cutter head clamp to lock the knife handle.
12. Blade: Used to cut the screen protector. The blade is fragile, please protect it properly and keep it from hard objects.

Operating Instruction 4

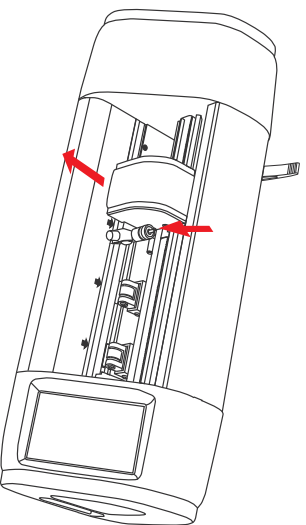
- ### 1. Installation of cutting tool
- (1) Loosen the screw
 - (2) Put the cutter head perpendicularly into the cutter head clamp, lock to the groove of the knife handle.
 - (3) Tighten the screw of the cutter head clamp to fix the cutting tool.

2. Power on

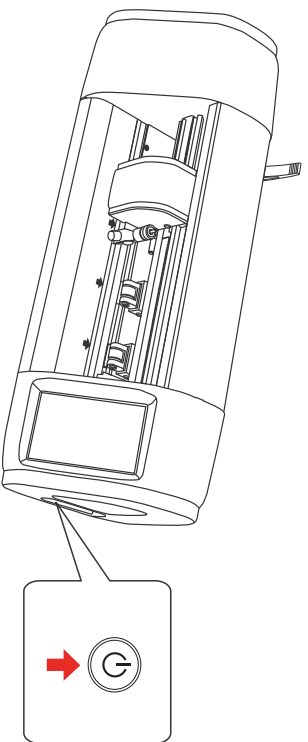
(1) Remove the nylon cable on both sides of which is used to protect the drive.



(2) Remove the foam protector on the cutter head clamp, and install the cutting tool
(Please refer to Installation of cutting tool for details).



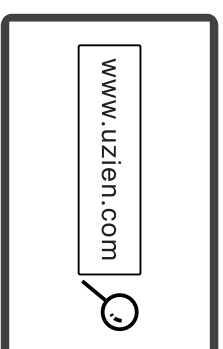
(3) Press [power button] and wait the machine to start.



Note: Please do not move the drive after starting the device to avoid error reporting.

2. Please visit the website of rock space (<http://www.uzien.com>) for [Technical Support]

-- [Operation Guide] to watch the teaching video of how to paste screen protector.



Teaching video of how
to paste screen protector.



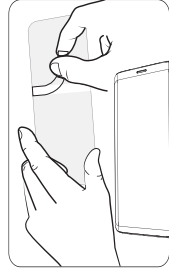
Notice

1. Please ensure that the power supply voltage meets the rated voltage of this product and it is stable and uninterrupted.
 2. Please ensure that the computer network is smooth.
 3. Do not force or push the driver by hand.
 4. Do not use this equipment to cut the materials provided by Non-rock space.
 5. Please ensure that the device is placed in a stable, non-swaying place before starting the device.
 6. Please use the original box and packing materials, or a similar box of the appropriate size for storage or transportation.
- At the same time, be sure to remove the cutter head and keep it in a safe place. Do not invert, crush and collide during storage or transportation.

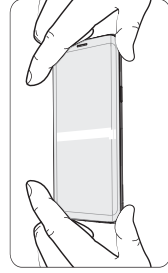
Warning

1. When operating, please ensure that your hands are dry.
 2. The device can only be operated or stored in a dry, cool environment.
 3. Please keep your limbs, hair, clothing, jewelry, etc. away from the equipment when the equipment is in operation.
 4. Please keep infants and pets away from the equipment when the equipment is in operation.
 5. The tip of the knife is sharp. In order to avoid accidents such as ingestion and skin damage, please keep out of reach of infants and young children.
- The place:
6. Please properly handle the packaging bag of this product. In order to avoid accidents such as suffocation of infants and young children, please keep out of reach of infants and young children.

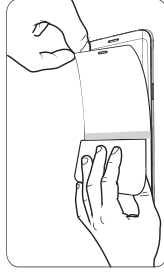
(2) Take out the flexible explosion-proof film and remove the hole diaphragm.



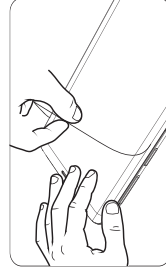
(3) Put the film flatwise and align with the phone screen and holes, move the film to make adjustment. After aligning, press the middle auxiliary strip to stick the screen.



(4) Press the auxiliary strip with the scratch card to prevent it from moving when lifting the film. Lift the front film and open the inner layer, hold the lifted film with your left hand. And then push forward

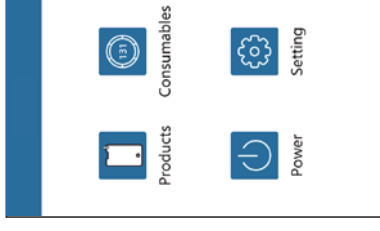


(5) Uncover the PET protector on the surface and finish pasting.



3. System

1. After the system starts normally, connect WIFI and it shows the interface as below.



2. Enter the code on the package of the flexible explosion-proof film, click [confirm] to finish addition.

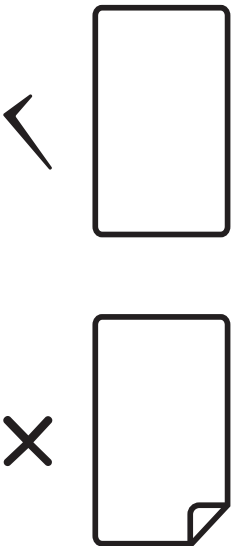


3. Click [product] to see all categories of the protector, click [Screen protector], and then choose brands and models.

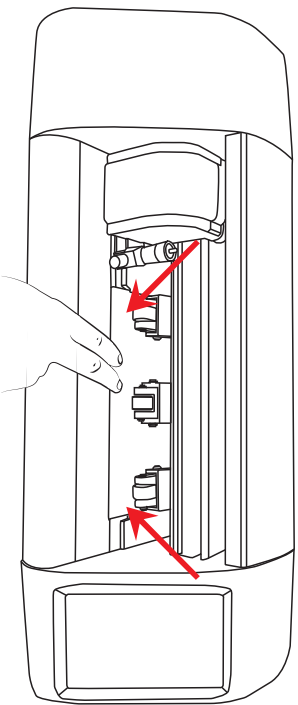


4.Plot

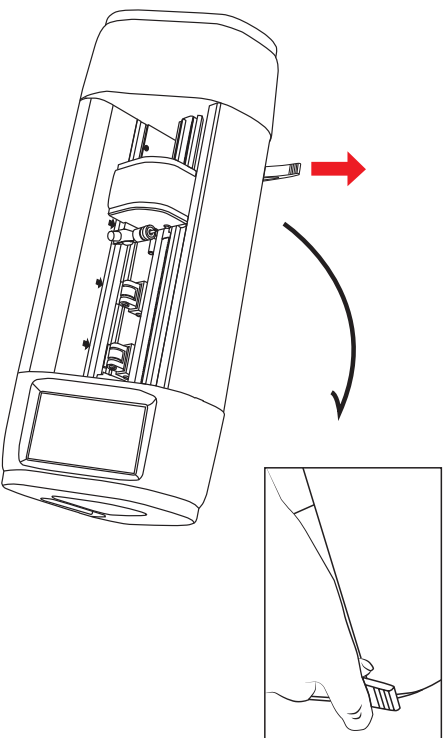
1. Prepare a screen protector to be plot. Confirm that the screen protector is flat and the film layer is complete without bending, folding or scarce.



2. Press the compressive bar to raise the platen, and put screen protector along the paper guide slot.



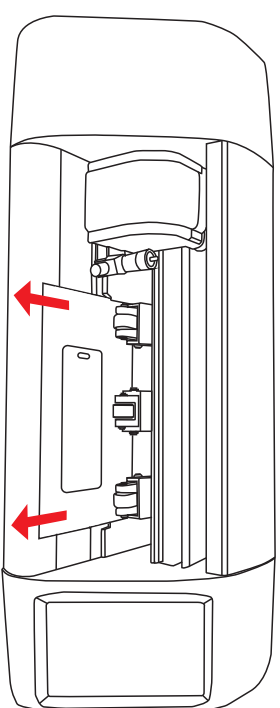
3. Align the screen protector with the arrow line, lift the compressive bar lightly up to assure platen compress the screen protector.



4. Select the model to be plot, click [plot] and confirm it to start plotting.



5. After plotting, the screen protector will be pull out, take out the screen protector and finish plotting.



Paste
the film

5

1.How to paste

(1) Clean the phone screen surface

