

# Walkbase XR-2.1

*Installation manual v.1.0*  
10.08.2023



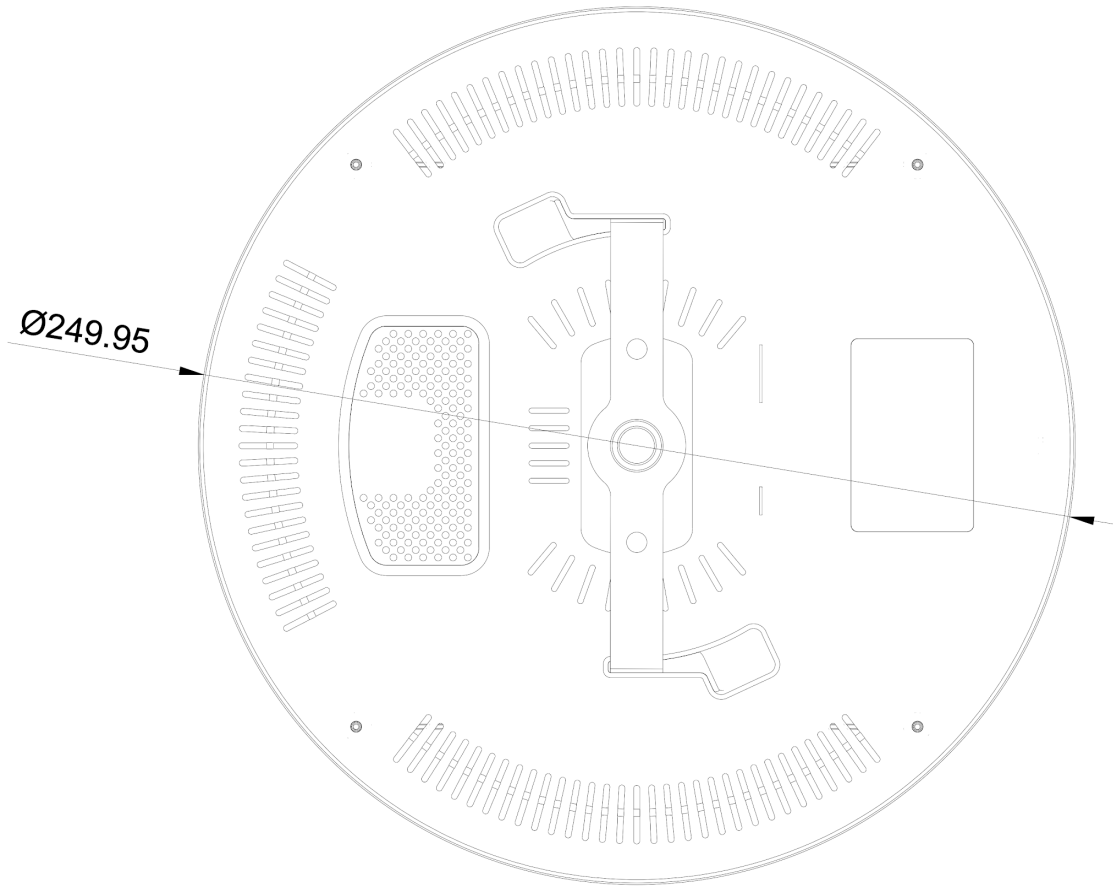
## Revision history

Version number	Changes	Date	Person
1.0	First release	10 Aug 2023	VK

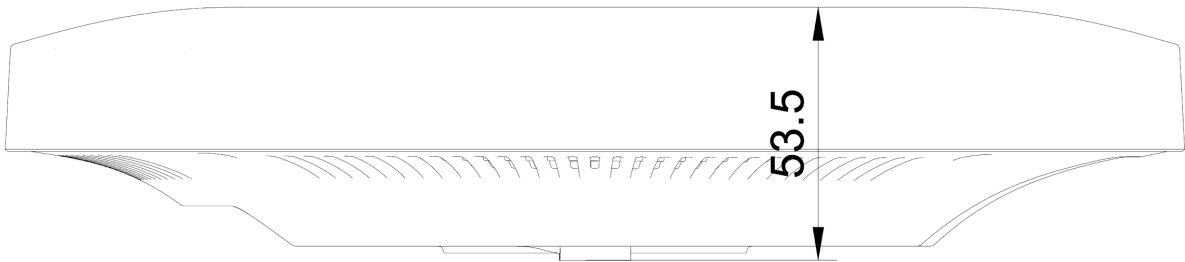
## Specifications

HARDWARE SPECIFICATIONS	
Model	XR-2.1
Dimensions	250 x 250 x 54 mm
Dimensions with mounting plate	250 x 250 x 54 mm
Color	White
Weight	0.6 kg
IP protection class	IP20
Power supply	PoE
PoE standard	802.3af
Operating frequency range	2.4-2.5GHz
Power consumption	<8 W
Certification	CE, FCC, RoHS
Working temperature	0 - 45° C with unobstructed airflow
Ceiling mount material	Stainless steel
Housing material	PC/ABS
Package dimensions	339 x 335 x 60 mm
Package weight	TBD
Package contents	1x Walkbase XR-2.1 sensor
	1x Ceiling mount

## Dimensions



Back view

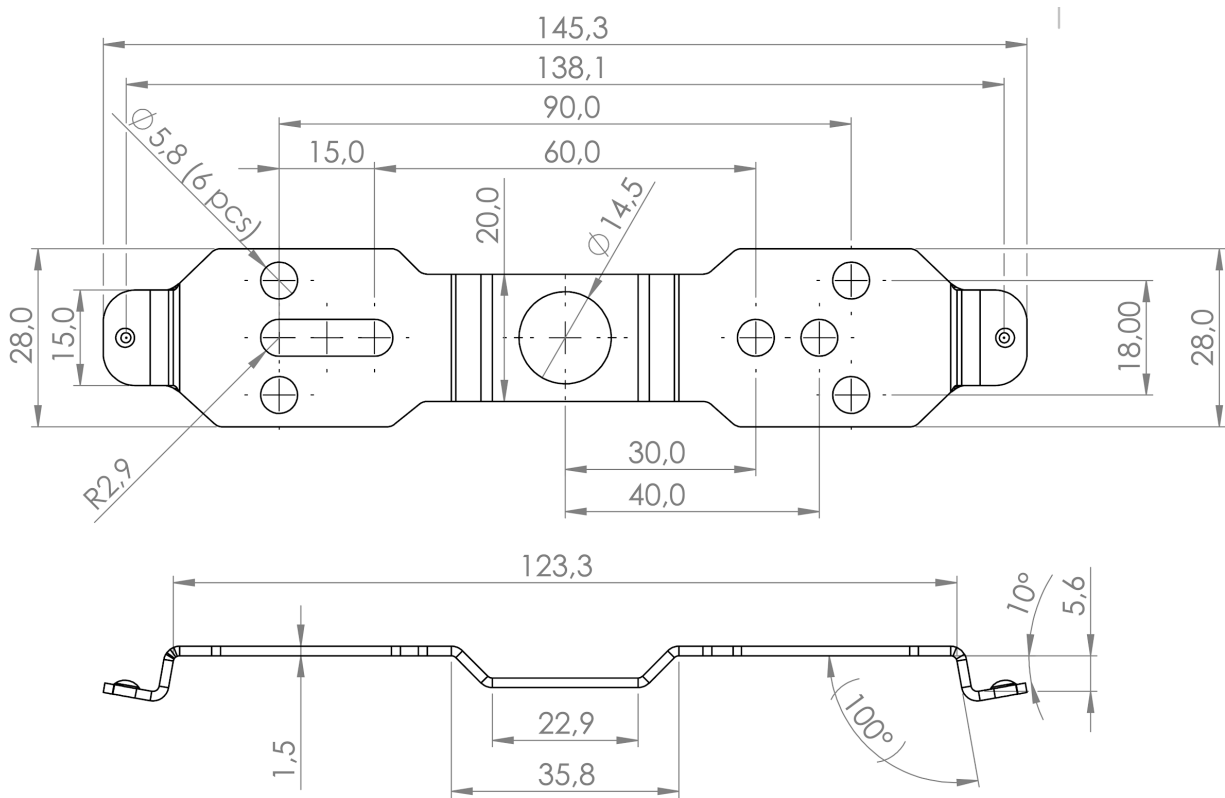


Side view

Dimensions with mounting plate

All dimensions are in millimeters (mm).

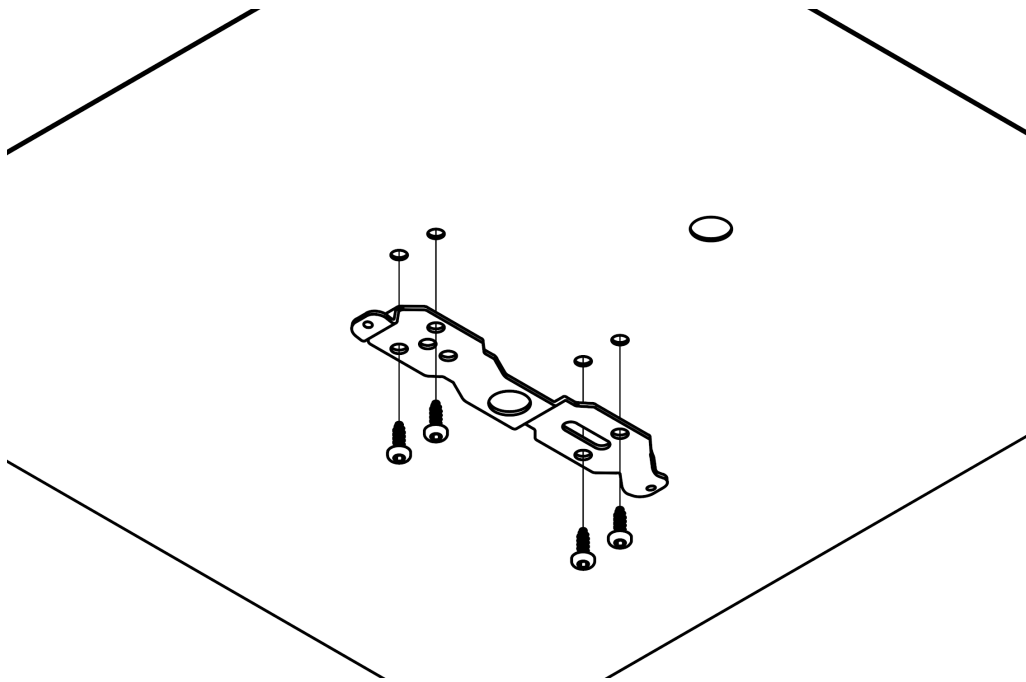
## Mounting plate dimensions



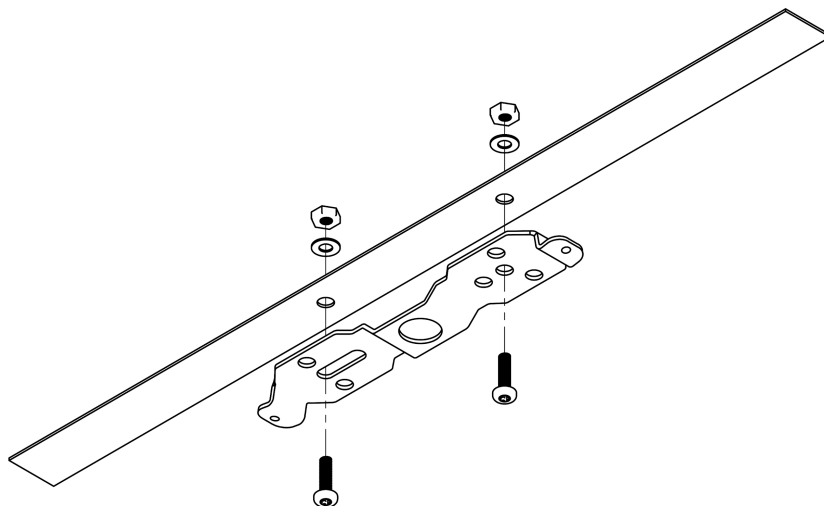
All dimensions are in millimeters (mm).

## Installation

1. The device should be mounted horizontally with the frontside of the device facing towards the floor directly underneath the device. Make sure there is no more than 5° of tilt in any direction.
2. Fasten the mounting plate onto the ceiling structures using the holes in the plate, and prepare a hole in the ceiling for the Ethernet cable if needed.

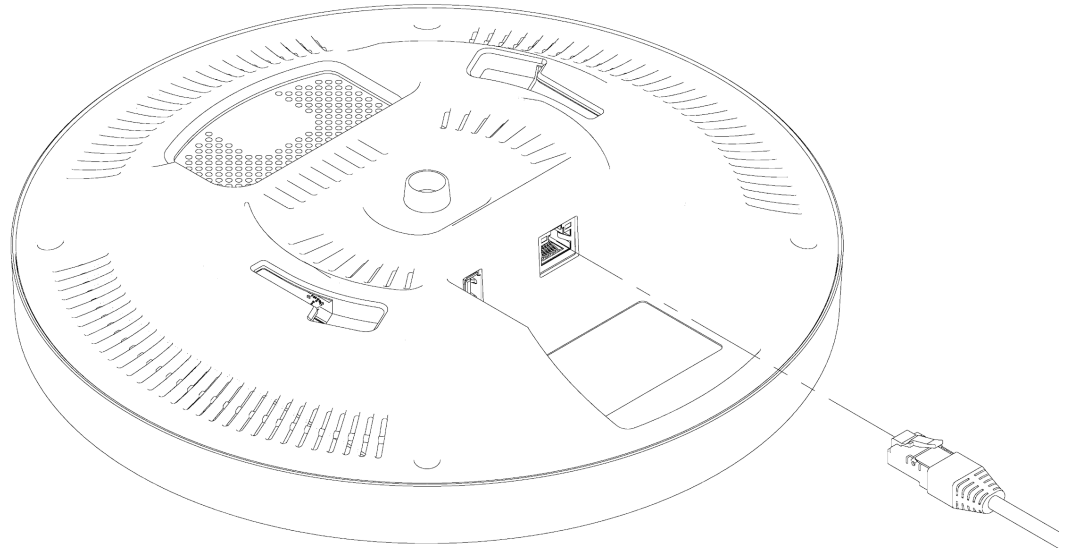


a. Example mounting onto a flat surface using four screws.

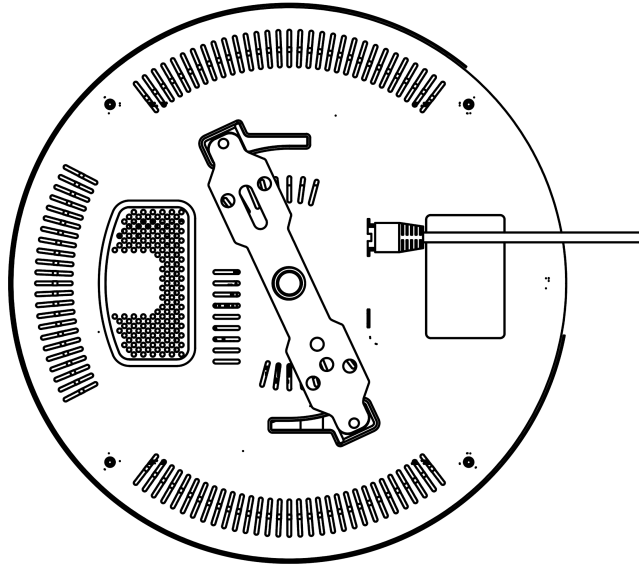


b. Example mounting onto metal railing using two fastening bolts.

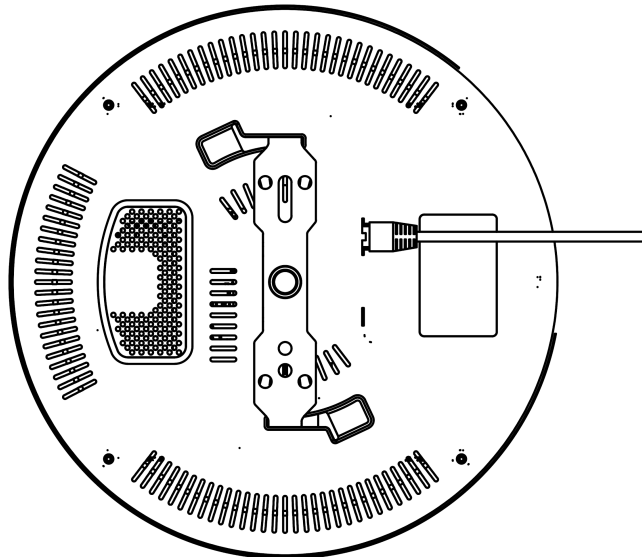
3. Insert the Ethernet cable. There will be an audible click when the cable has been properly inserted. The XR-2.1 starts automatically with the cable inserted, and requires no user interaction.



4. Attach the XR-2.1 to the ceiling mount.



- a. Gently push the XR-2.1 in with both of the ceiling mount's extrusions slotting into the grooves of the XR-2.1 as shown below. The XR-2.1 fits the mount plate in either orientation, but the device orientation should not be changed after the device has been configured.



- b. Twist the XR-2.1 clockwise until there is an audible click and it locks into the position shown above.



## FCC Statement

**FCC ID:** 2AU8X-XR-21

This equipment has been tested and found to comply with the limits for a Class A digital device, pursuant to part 15 of the FCC Rules. These limits are designed to provide reasonable protection against harmful interference when the equipment is operated in a commercial environment. This equipment generates, uses, and can radiate radio frequency energy and, if not installed and used in accordance with the instruction manual, may cause harmful interference to radio communications. Operation of this equipment in a residential area is likely to cause harmful interference in which case the user will be required to correct the interference at his own expense.

Caution: Any changes or modifications to this device not explicitly approved by the manufacturer could void your authority to operate this equipment.

This device complies with part 15 of the FCC Rules. Operation is subject to the following two conditions: (1) This device may not cause harmful interference, and (2) this device must accept any interference received, including interference that may cause undesired operation.

### RF Exposure Information

This equipment complies with FCC radiation exposure limits set forth for an uncontrolled environment. This equipment should be installed and operated with minimum distance 20cm between the radiator and your body.