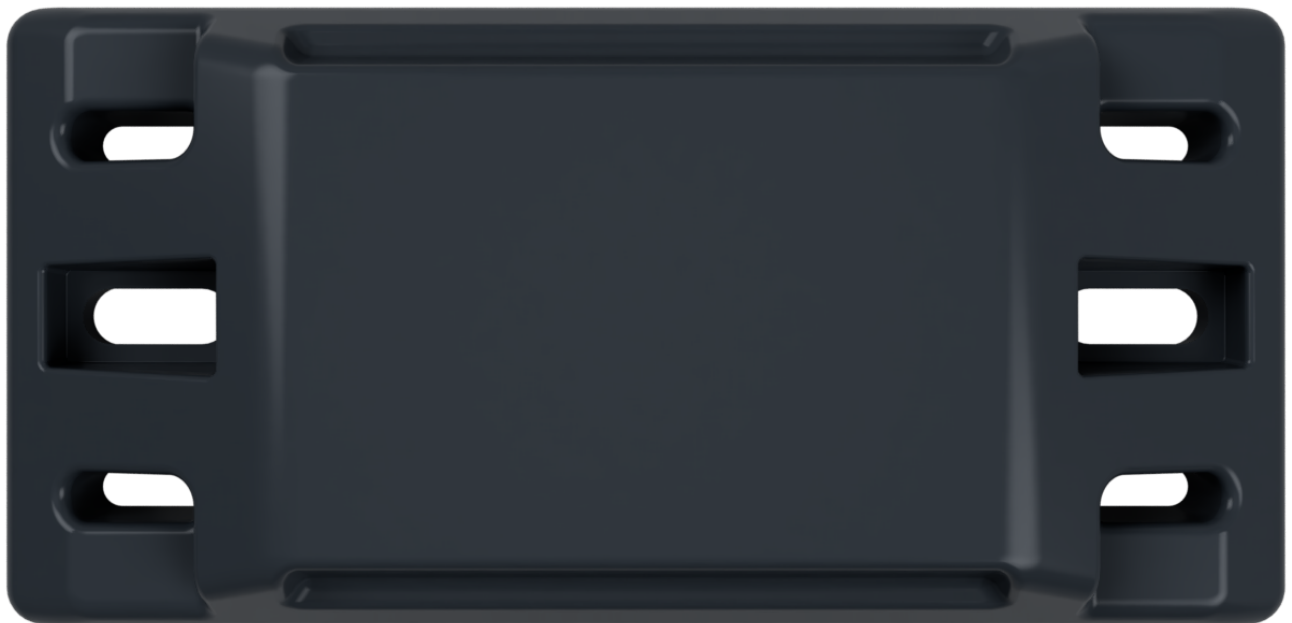


Walkbase AT-2

Installation manual v.1.1
08.06.2023



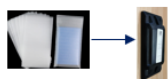
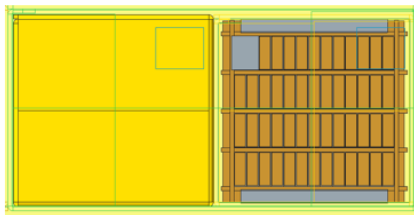
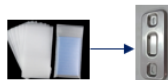
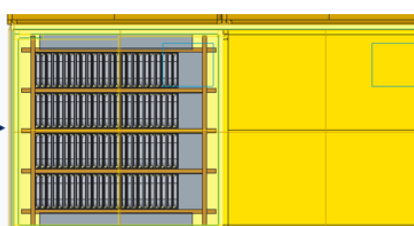
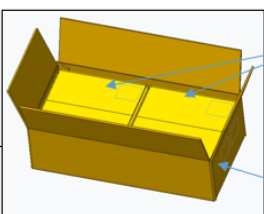
Revision history

Version number	Changes	Date	Person
1.0	First release	8 May 2023	VK
1.1	Package dimensions added	8 June 2023	VK

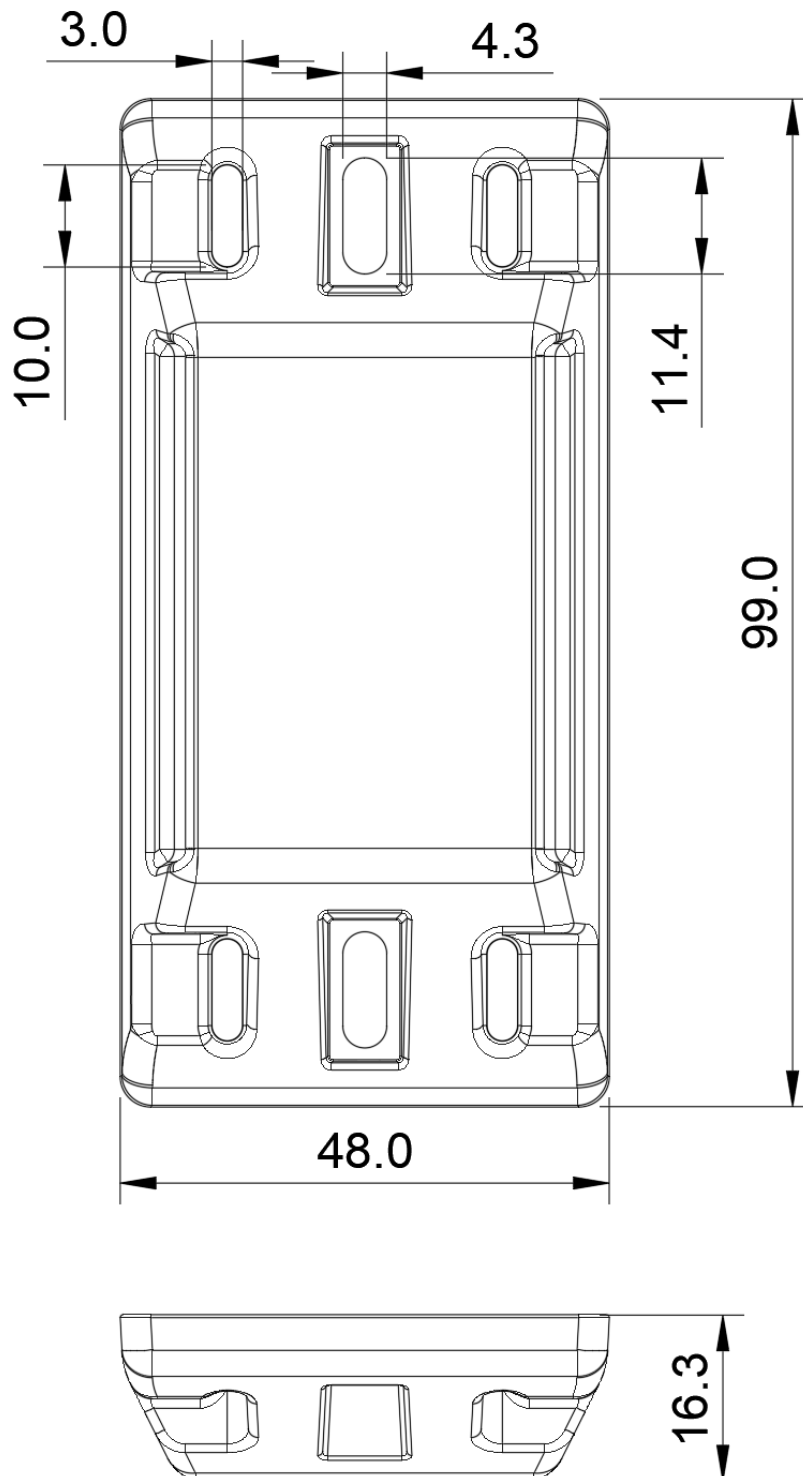
Specifications

HARDWARE SPECIFICATIONS	
Model	AT-2
Dimensions	99 x 48 x 16.3 mm
Weight	52g
Color	Black
IP protection class	IP67
Power supply	CR2477 Battery
Operating frequency range	2.4-2.5GHz
Certification	CE, FCC, RoHS
Working temperature	0 - 50°C
Housing material	PC
Package dimensions	28 x 27 x 13 cm
Package weight	2.6 kg
Package contents	50x Walkbase AT-2 Asset tag
Packed separately	Backplates M4 Square nuts M4x14 Locking security bolts

Package dimensions

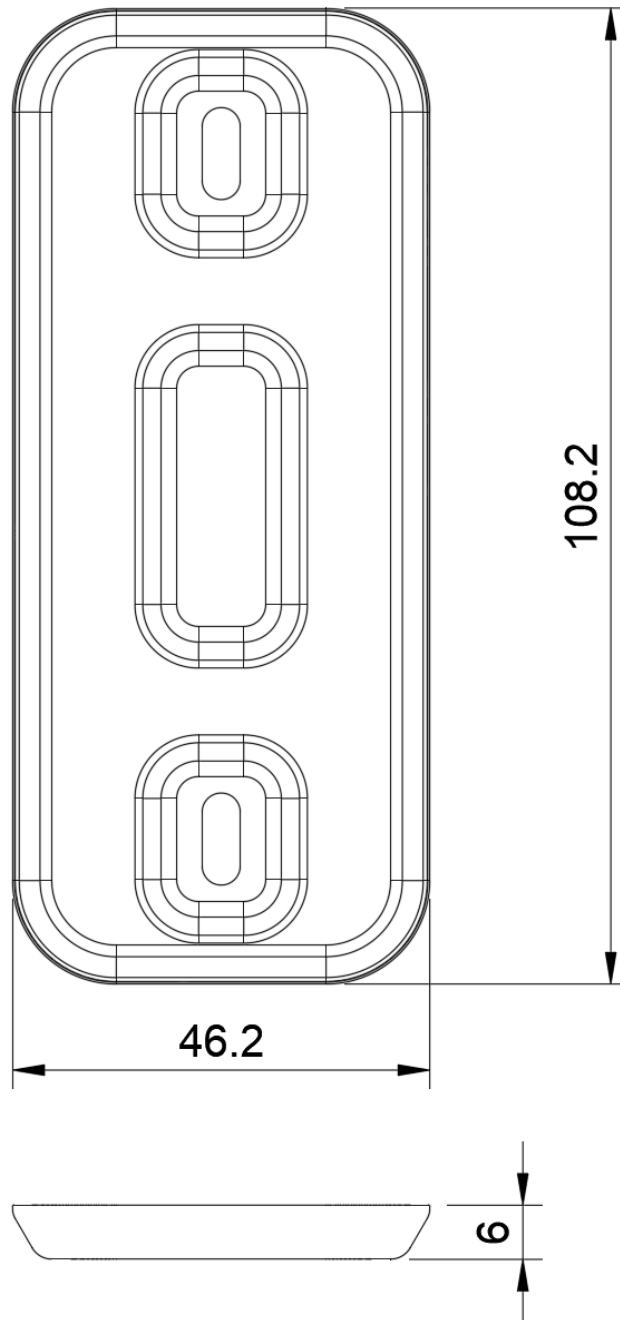
 <p>Each product is packaged in a pearl cotton bag, sealed with a sealing sticker, and then placed in the inner box.</p>	 <p>Two inner boxes packed in one outer box, Inner diameter of inner box: 280 * 268 * 127mm Inner diameter of outer box: 587 * 288 * 157mm</p>	<p>50 products in an inner box, The estimated weight of each product is: 52g Estimated net weight of each inner box products: $52 * 50=2.6\text{kg}$</p>
 <p>Each backplate is packaged in a pearl cotton bag, sealed with a sealing sticker, and then placed in the inner box.</p>	 <p>Two inner boxes packed in one outer box, Inner diameter of inner box: 280 * 268 * 127mm Inner diameter of outer box: 587 * 288 * 157mm</p>	 <p>100 backplates in an inner box, The estimated weight of each backplates is: 36g Estimated net weight of each inner box backplates : $36 * 100=3.6\text{kg}$</p>

Dimensions



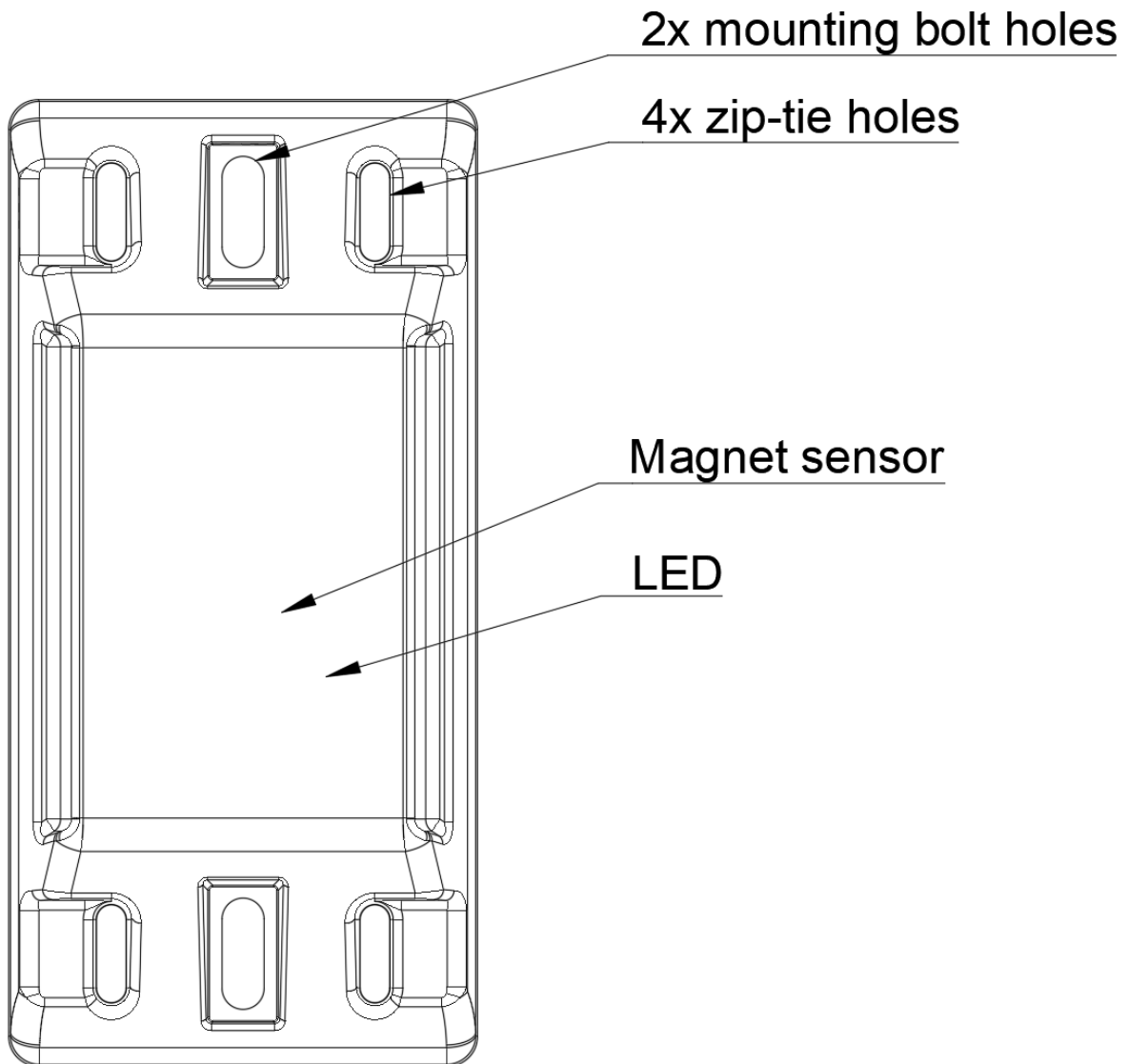
All dimensions are in millimeters (mm).

Backplate dimensions

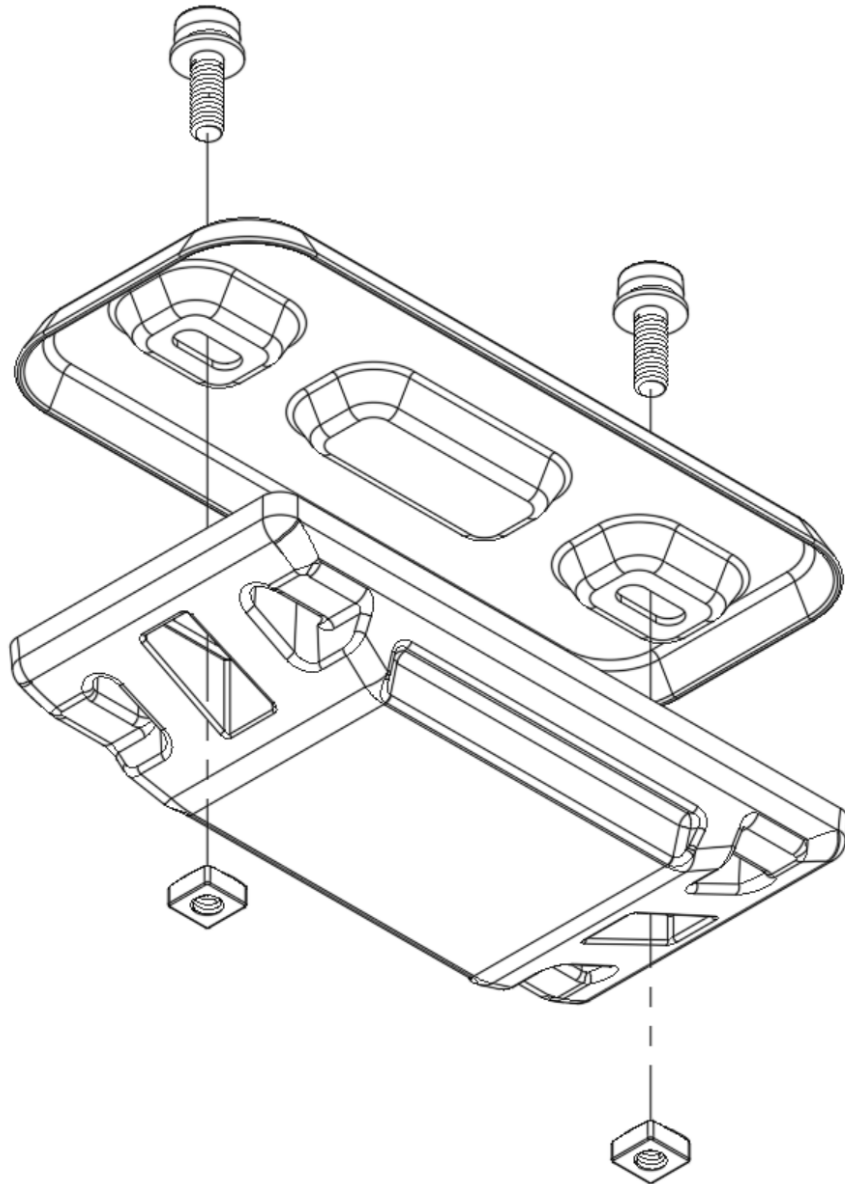


All dimensions are in millimeters (mm).

Features



Mounting



Installation

Activating the tag for the first time.

1. To activate the tag for the first time, wave a magnet over the top of the tag until an LED flashes once.
2. After the tag has been activated, the tag is ready to be configured in the Walkbase Cloud management tools.

FCC Statement

FCC ID:2AU8X-AT-2

This equipment has been tested and found to comply with the limits for a Class B digital device, pursuant to part 15 of the FCC Rules. These limits are designed to provide reasonable protection against harmful interference in a residential installation.

This equipment generates, uses and can radiate radio frequency energy and, if not installed and used in accordance with the instructions, may cause harmful interference to radio communications. However, there is no guarantee that interference will not occur in a particular installation.

If this equipment does cause harmful interference to radio or television reception, which can be determined by turning the equipment off and on, the user is encouraged to try to correct the interference by one or more of the following measures:

- Reorient or relocate the receiving antenna.
- Increase the separation between the equipment and receiver.
- Connect the equipment into an outlet on a circuit different from that to which the receiver is connected.
- Consult the dealer or an experienced radio/TV technician for help.

Caution: Any changes or modifications to this device not explicitly approved by the manufacturer could void your authority to operate this equipment.

This device complies with part 15 of the FCC Rules. Operation is subject to the following two conditions: (1) This device may not cause harmful interference, and (2) this device must accept any interference received, including interference that may cause undesired operation.

RF Exposure Information: The device has been evaluated to meet general RF exposure requirements. The device can be used in portable exposure conditions, in compliance with exposure requirements.