



FCC TestReport

FCC ID:2AU7D-102407

Product : Phone Sanitizer with Qi Wireless Charger
Trademark : N/A
Model Name : PYS-WPC20035-1
Applicant : PYS High-Tech Co., Ltd.
Date of Issue : Oct 13, 2020
Standard(s) : FCC Part 15 Subpart C
Report No : DGE200904005F02

Prepared for

PYS High-Tech Co., Ltd
1F~12F, Block 9, Lianhua Industrial Zone, Longhua, Shenzhen, Guangdong
518109 CHINA

Prepared by

Shenzhen NTEK Testing Technology Co., Ltd.
1/F, Building E, Fenda Science Park, Sanwei Community, Xixiang Street,
Bao'an District, Shenzhen P.R. China
Tel.: +86-0755-61156588 Fax.: +86-0755-61156599
Website: www.ntek.org.cn

TEST RESULT CERTIFICATION

Applicant's name.....: PYS High-Tech Co., Ltd
 Address.....: 1F~12F, Block 9, Lianhua Industrial Zone, Longhua,Shenz
 hen,Guangdong 518109 CHINA
Manufacturer's Name.....: PYS High-Tech Co., Ltd
 Address.....: 1F~12F, Block 9, Lianhua Industrial Zone, Longhua,Shenz
 hen,Guangdong 518109 CHINA
Factory.....: PYS High-Tech Co., Ltd
 Address.....: 1F~12F, Block 9, Lianhua Industrial Zone, Longhua,Shenz
 hen,Guangdong 518109 CHINA

Product description

Product name.....: Phone Sanitizer with Qi Wireless Charger
 Main Model.....: PYS-WPC20035-1
 Series Model.....: 102407
 Rating(s).....: Input: DC 12V1.5A/9V 1.8A/5V 2A

Standards.....: FCC Rules and Regulations Part 15 Subpart C Section
 15.207, 15.209, 15.203
 ANSI C63.10:2013

This device described above has been tested by Shenzhen NTEK Testing Technology Co., Ltd., and the test results show that the equipment under test (EUT) is in compliance with the FCC requirements. And it is applicable only to the tested sample identified in the report. This report shall not be reproduced except in full, without the written approval of Shenzhen NTEK Testing Technology Co., Ltd., this document may be altered or revised by Shenzhen NTEK Testing Technology Co., Ltd., personnel only, and shall be noted in the revision of the document.

The test results of this report relate only to the tested sample identified in this report.

Date of Test.....:
 Date (s) of performance of tests.....: Sep4, 2020 to Oct 13, 2020
 Date of Issue.....: Oct 13, 2020
 Test Result.....: **Pass**

Testing Engineer : Eder.Zhan
 (EderZhan)

Technical Manager : Jason chen
 (Jason Chen)

Authorized Signatory : Sam. Chen
 (Sam Chen)



Report Revise Record

Report No	Revise Time	Issued Date	Valid Version	Notes
DGE200904005F02	/	Oct 13, 2020	Valid	Initial Release

Table of Contents

1. TEST SUMMARY	5
1.1 FACILITIES AND ACCREDITATIONS	5
1.2 LABORATORY ACCREDITATIONS AND LISTINGS.....	5
1.3 MEASUREMENT UNCERTAINTY	6
2. GENERAL INFORMATION.....	7
2.1 GENERAL DESCRIPTION OF EUT.....	7
2.2 DESCRIPTION OF TEST MODES.....	8
2.3 DESCRIPTION OF TEST SETUP	9
2.4 DESCRIPTION TEST PERIPHERAL AND EUT PERIPHERAL.....	10
2.5 MEASUREMENT INSTRUMENTS LIST	11
3. EMC EMISSION TEST.....	12
3.1 CONDUCTED EMISSION MEASUREMENT	12
POWER LINE CONDUCTED EMISSION	12
3.1.1 TEST PROCEDURE	13
3.1.2 TEST SETUP	13
3.1.3 EUT OPERATING CONDITIONS.....	13
3.1.4 TEST RESULTS.....	14
3.2 RADIATED EMISSION MEASUREMENT	16
3.2.1 LIMITS OF RADIATED EMISSION MEASUREMENT	16
3.2.2 TEST PROCEDURE	17
3.2.3 TEST SETUP	18
3.2.4 TEST RESULTS.....	19
4. ANTENNA APPLICATION	24
4.1. Antenna Requirement.....	24
4.2. Result	24

11. TEST SUMMARY

EMC Emission				
Standard	Test Item	FCC Rules	Judgment	Remark
FCC part 15C ANSI C63.10:2013	Conducted Emission	§15.207	PASS	
	Radiated Emission	§15.209	PASS	
	ANTENNA APPLICATION	§15.203	PASS	

1.1 FACILITIES AND ACCREDITATIONS

All measurement facilities used to collect the measurement data are located at 1/F, Building E, Fenda Science Park, Sanwei Community, Xixiang Street, Bao'an District, Shenzhen 518126 P.R. China.

The sites are constructed in conformance with the requirements of ANSI C63.7, ANSI C63.10 and CISPR Publication 22.

1.2 LABORATORY ACCREDITATIONS AND LISTINGS

Site Description

- The Laboratory has been assessed and proved to be in compliance with

CNAS-Lab. : CNAS-CL01:2006 (identical to ISO/IEC 17025:2005)
The Certificate Registration Number is L5516.

IC-Registration : The Certificate Registration Number is 9270A-1.

FCC- Accredited : Test Firm Registration Number:463705.
Designation Number: CN1184

A2LA-Lab. : The Certificate Registration Number is 4298.01
This laboratory is accredited in accordance with the recognized International Standard ISO/IEC 17025:2005 General requirements for the competence of testing and calibration laboratories.
This accreditation demonstrates technical competence for a defined scope and the operation of a laboratory quality management system (refer to joint ISO-ILAC-IAF Communiqué dated 8 January 2009).

Name of Firm : Shenzhen NTEK Testing Technology Co., Ltd.

Site Location : 1/F, Building E, Fenda Science Park, Sanwei Community, Xixiang Street, Bao'an District, Shenzhen 518126 P.R. China.

1.3 MEASUREMENT UNCERTAINTY

The reported uncertainty of measurement $y \pm U$, where expanded uncertainty U is based on a standard uncertainty multiplied by a coverage factor of $k=2$, providing a level of confidence of approximately **95 %**.

A. Conducted Measurement :

Test Site	Method	Measurement Frequency Range	U, (dB)	NOTE
NTEKC01	ANSI	150 KHz ~ 30MHz	3.2	

B. Radiated Measurement :

Test Site	Method	Measurement Frequency Range	U, (dB)	NOTE
NTEKA01	ANSI	30MHz ~1000MHz	4.7	
		1GHz ~12.4GHz	5.0	

22. GENERAL INFORMATION**2.12.1 GENERAL DESCRIPTION OF EUT**

Product Feature and Specification	
Equipment	Phone Sanitizer with Qi Wireless Charger
Test Main Model	PYS-WPC20035-1
Series Model	102407
Difference Description	The RF circuit principle and internal structure are the same, appearance colors differenton.
Operating Frequency	110KHz~205KHz
Modulation Technique	Induction
Antenna Type	Induction coil
Power supply	DC 12V1.5A /9V 1.8A/5V 2A ,Wireless Charger 10W (max)
HW Version	1.0
SW Version	1.0

2.22.2 DESCRIPTION OF TEST MODES

EUT Configuration

The EUT configuration for testing is installed on RF field strength measurement to meet the Commissions requirement and operating in a manner which intends to maximize its emission characteristics in a continuous normal application.

EUT Exercise

The Transmitter was operated in the normal operating mode. The TX frequency was fixed which was for the purpose of the measurements.

The following summary table is showing all test modes to demonstrate in compliance with the standard.

MODE	TEST MODE DESCRIPTION
1	Wireless charging Mode(Full load)
2	Wireless charging Mode(half load)
3	Wireless charging Mode(Null load)

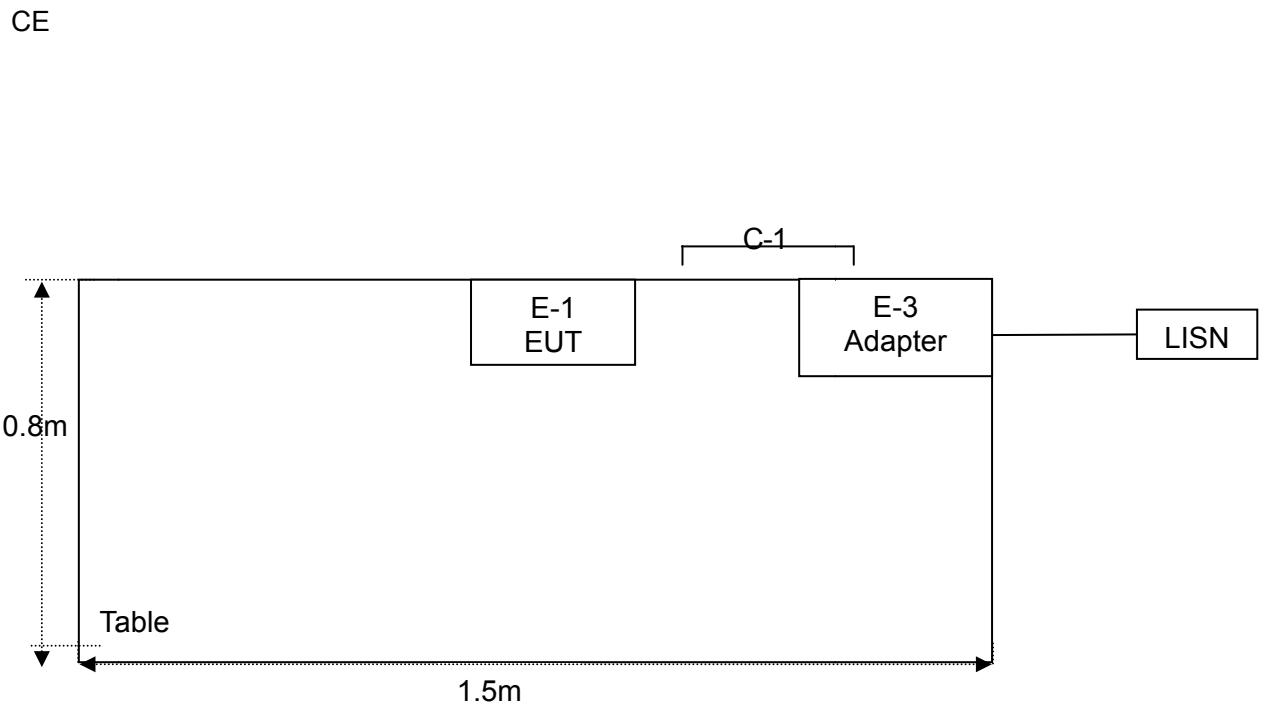
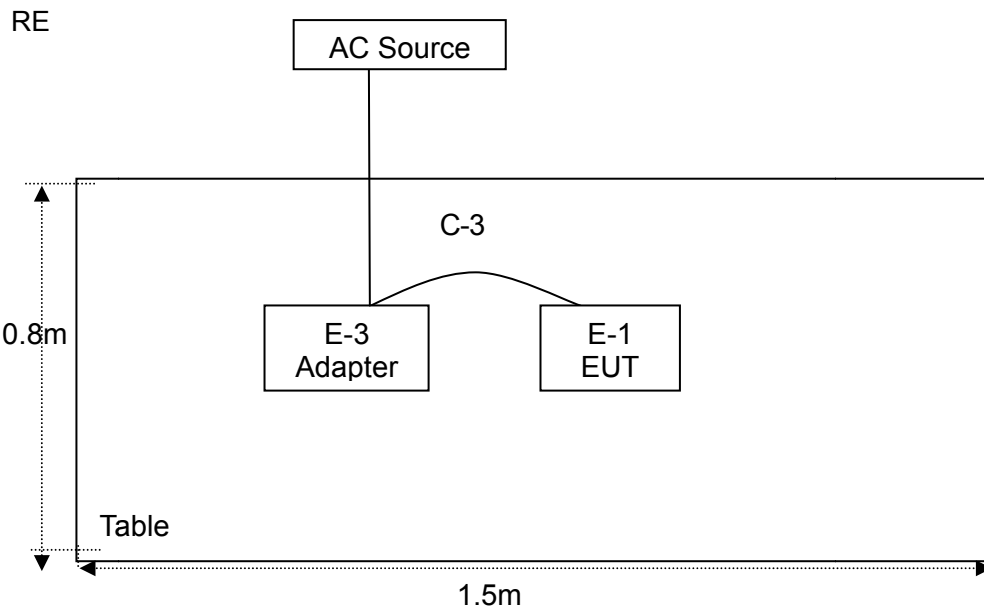
Note:
1. The mode 1 was the worst case and only the data of the worst case record in this report.

(*)EUT can only access the specified load, can not adjust the size of the load

Carrier Frequency and Channel list:

Channel	Frequency(MHz)
1	0.1110
2	0.1245
3	0.2040

2.32.3 DESCRIPTION OF TEST SETUP



2.42.4 DESCRIPTION TEST PERIPHERAL AND EUT PERIPHERAL

The EUT has been tested as an independent unit together with other necessary accessories or support units. The following support units or accessories were used to form a representative test configuration during the tests.

Item	Equipment	Brand	Model/Type No.	Series No.	Note
E-1	Phone Sanitizer with Qi Wireless Charger	N/A	PYS-WPC20035-1	N/A	EUT

Item	Cable Type	Shielded Type	Ferrite Core	Length	Note

Note:

- (1) The support equipment was authorized by Declaration of Confirmation.
- (2) For detachable type I/O cable should be specified the length in cm in 『Length』 column.
- (3) “YES” means “shielded”“with core”; “NO” means “unshielded”“without core”.

2.52.5 MEASUREMENT INSTRUMENTS LIST

Radiation Test equipment

Item	Kind of Equipment	Manufacturer	Type No.	Serial No.	Last calibration	Calibrated until	Calibration period
1	Spectrum Analyzer	Agilent	E4407B	MY45108040	2020.06.05	2021.06.04	1 year
2	Spectrum Analyzer	Agilent	N9020A	MY49100060	2020.10.26	2021.10.25	1 year
4	Test Receiver	R&S	ESPI	101318	2020.06.05	2021.06.04	1 year
5	Bilog Antenna	TESEQ	CBL6111D	31216	2020.04.08	2021.04.07	1 year
6	50Ω Coaxial Switch	Anritsu	MP59B	6200983705	2020.06.05	2021.06.04	1 year
7	Amplifier	EMC	EMC051835 SE	980246	2019.08.09	2021.08.08	2 year
8	Amplifier	MITEQ	TTA1840-35 -HG	177156	2020.06.05	2021.06.04	1 year
9	Loop Antenna	ARA	PLA-1030/B	1029	2020.06.05	2021.06.04	1 year
10	Test Cable (9KHz-30M Hz)	N/A	R-01	N/A	2020.04.21	2023.04.20	3 year
11	Test Cable (30MHz-1G Hz)	N/A	R-02	N/A	2020.04.21	2023.04.20	3 year

Conduction Test equipment

Item	Kind of Equipment	Manufacturer	Type No.	Serial No.	Last calibration	Calibrated until	Calibration period
1	Test Receiver	R&S	ESCI	101160	2020.06.05	2021.06.04	1 year
2	LISN	R&S	ENV216	101313	2020.04.18	2021.04.17	1 year
3	LISN	SCHWARZBECK	NNLK 8129	8129245	2020.06.05	2021.06.04	1 year
4	50Ω Coaxial Switch	ANRITSU CORP	MP59B	6200983704	2020.06.05	2021.06.04	1 year
5	Test Cable (9KHz-30M Hz)	N/A	C01	N/A	2020.04.21	2023.04.20	3 year
6	Test Cable (9KHz-30M Hz)	N/A	C02	N/A	2020.04.21	2023.04.20	3 year
7	Test Cable (9KHz-30M Hz)	N/A	C03	N/A	2020.04.21	2023.04.20	3 year

3. EMC EMISSION TEST

3.13.1 CONDUCTED EMISSION MEASUREMENT

3.1.1 POWER LINE CONDUCTED EMISSION (Frequency Range 150KHz-30MHz)

FREQUENCY (MHz)	limit	
	Quasi-peak	Average
0.15 -0.5	66 - 56 *	56 - 46 *
0.50 -5.0	56.00	46.00
5.0 -30.0	60.00	50.00

Note:

- (1) The tighter limit applies at the band edges.
- (2) The limit of " * " marked band means the limitation decreases linearly with the logarithm of the frequency in the range.

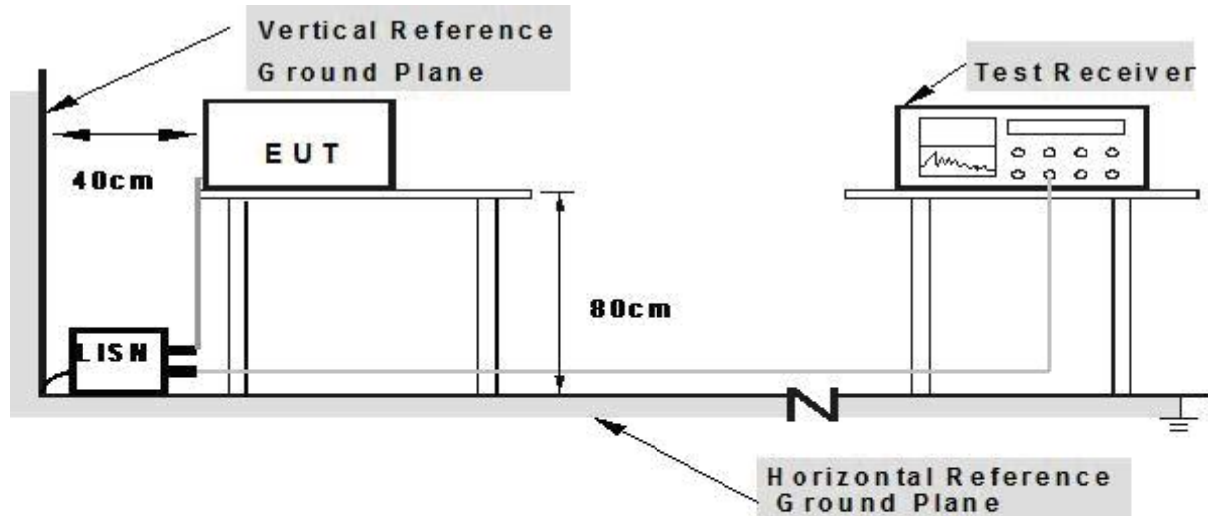
The following table is the setting of the receiver

Receiver Parameters	Setting
Attenuation	10 dB
Start Frequency	0.15 MHz
Stop Frequency	30 MHz
IF Bandwidth	9 kHz

3.1.23.1.1 TEST PROCEDURE

- a. The EUT was placed 0.8 meters from the horizontal ground plane with EUT being connected to the power mains through a line impedance stabilization network (LISN). All other support equipments powered from additional LISN(s). The LISN provide 50 Ohm/ 50uH of coupling impedance for the measuring instrument.
- b. Interconnecting cables that hang closer than 40 cm to the ground plane shall be folded back and forth in the center forming a bundle 30 to 40 cm long.
- c. I/O cables that are not connected to a peripheral shall be bundled in the center. The end of the cable may be terminated, if required, using the correct terminating impedance. The overall length shall not exceed 1 m.
- d. LISN at least 80 cm from nearest part of EUT chassis.
- e. For the actual test configuration, please refer to the related Item –EUT Test Photos.

3.1.33.1.2 TEST SETUP



Note: 1. Support units were connected to second LISN.

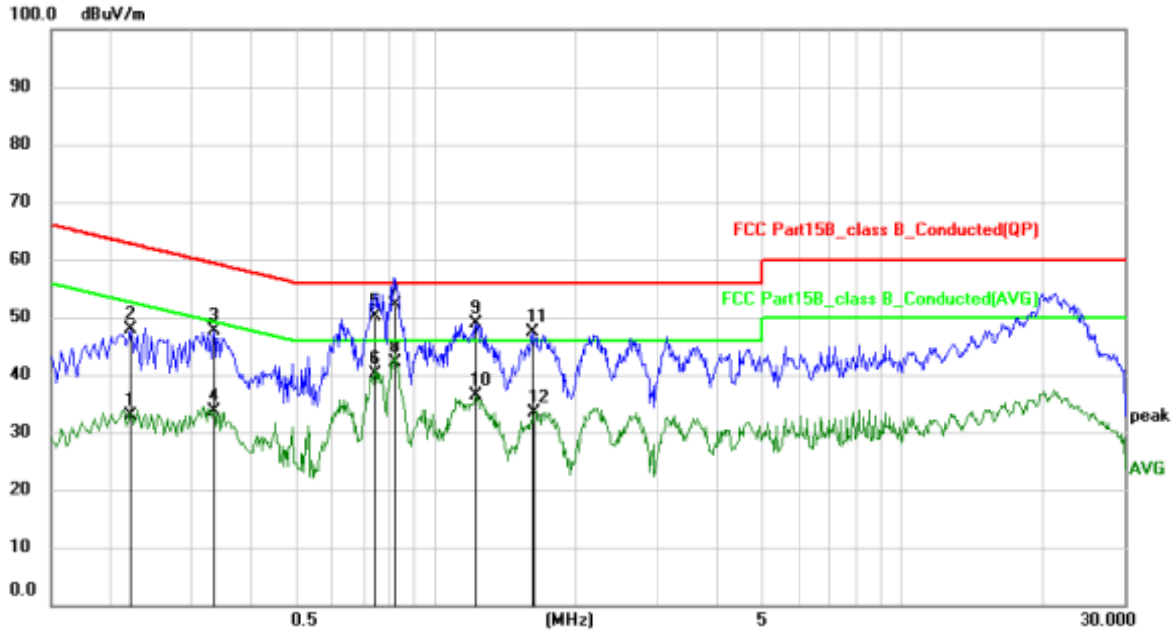
2. Both of LISNs (AMN) are 80 cm from EUT and at least 80 cm from other units and other metal planes

3.1.43.1.3 EUT OPERATING CONDITIONS

The EUT tested system was configured as the statements of 2.3 Unless otherwise a special operating condition is specified in the follows during the testing.

3.1.53.1.4TEST RESULTS

EUT:	Phone Sanitizer with Qi Wireless Charger	Model Name. :	PYS-WPC20035-1
Temperature:	25.3 °C	Relative Humidity:	53.6%
Pressure:	1010hPa	Test Date:	2020-10-13
Test Mode:	Mode 1	Phase :	L
Test Voltage:	Input:AC 120V Output: 12V 3A		

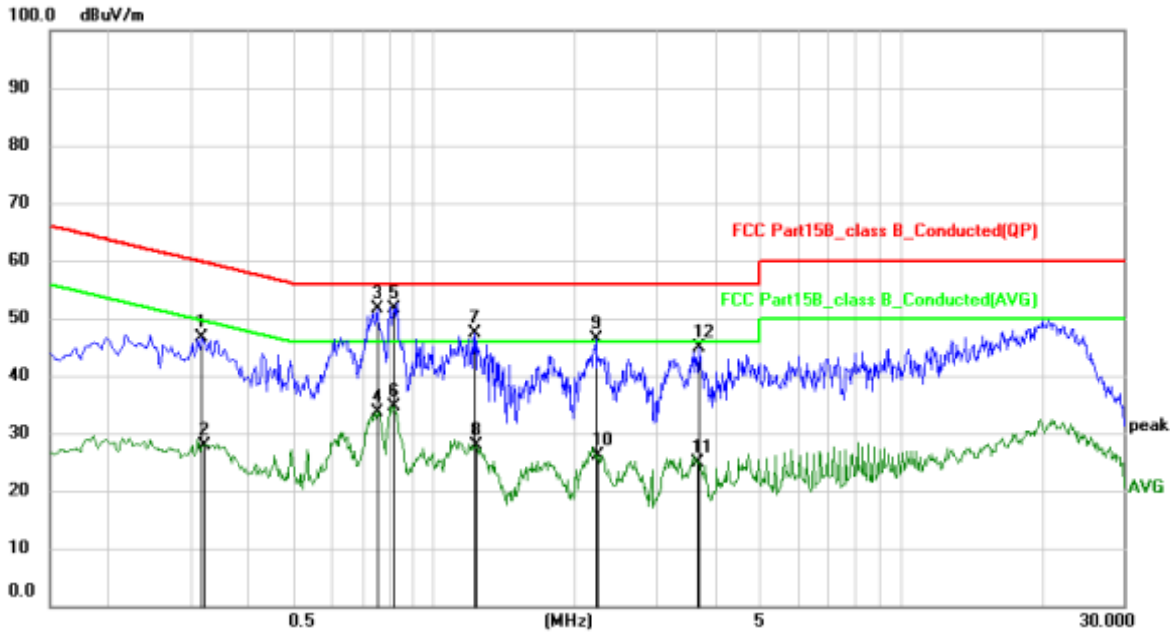


Remark:

1. All readings are Quasi-Peak and Average values.
2. Factor = Insertion Loss + Cable Loss.

No. Mk.	Freq. MHz	Reading Level dBuV/m	Correct Factor dB	Measurement dBuV/m	Limit dBuV/m	Over dB	Detector	Comment
1	0.2208	22.86	9.90	32.76	52.79	-20.03	AVG	
2	0.2220	37.91	9.90	47.81	62.74	-14.93	QP	
3	0.3339	37.74	9.92	47.66	59.35	-11.69	QP	
4	0.3339	23.60	9.92	33.52	49.35	-15.83	AVG	
5	0.7491	40.14	9.95	50.09	56.00	-5.91	QP	
6	0.7491	30.15	9.95	40.10	46.00	-5.90	AVG	
7	0.8185	42.06	9.95	52.01	56.00	-3.99	QP	
8 *	0.8185	32.30	9.95	42.25	46.00	-3.75	AVG	
9	1.2180	38.87	9.98	48.85	56.00	-7.15	QP	
10	1.2180	26.44	9.98	36.42	46.00	-9.58	AVG	
11	1.6180	37.29	10.00	47.29	56.00	-8.71	QP	
12	1.6300	23.39	10.01	33.40	46.00	-12.60	AVG	

EUT:	Phone Sanitizer with Qi Wireless Charger	Model Name. :	PYS-WPC20035-1
Temperature:	23°C	Relative Humidity:	52%
Pressure:	1010hPa	Test Date:	2020-10-13
Test Mode:	Mode 1	Phase :	N
Test Voltage:	Input:AC 120V Output: 12V 3A		



Remark:

1. All readings are Quasi-Peak and Average values.
2. Factor = Insertion Loss + Cable Loss.

No. Mk.	Freq. MHz	Reading Level dBuV/m	Correct Factor dB	Measurement dBuV/m	Limit dBuV/m	Over dB	Detector	Comment
1	0.3180	36.79	9.92	46.71	59.76	-13.05	QP	
2	0.3200	18.04	9.92	27.96	49.71	-21.75	AVG	
3	0.7539	41.56	9.95	51.51	56.00	-4.49	QP	
4	0.7539	23.78	9.95	33.73	46.00	-12.27	AVG	
5 *	0.8220	41.74	9.96	51.70	56.00	-4.30	QP	
6	0.8220	24.73	9.96	34.69	46.00	-11.31	AVG	
7	1.2220	37.52	9.98	47.50	56.00	-8.50	QP	
8	1.2300	17.97	9.98	27.95	46.00	-18.05	AVG	
9	2.2220	36.33	10.04	46.37	56.00	-9.63	QP	
10	2.2460	16.15	10.05	26.20	46.00	-19.80	AVG	
11	3.6700	14.83	10.17	25.00	46.00	-21.00	AVG	
12	3.7180	34.73	10.17	44.90	56.00	-11.10	QP	

3.2.3.2 RADIATED EMISSION MEASUREMENT

3.2.13.2.1 LIMITS OF RADIATED EMISSION MEASUREMENT

The emissions from an intentional radiator shall not exceed the field strength levels specified in the following table 15.209(a):

Frequency (MHz)	Field strength (microvolts/meter)	Measurement distance (meters)
0.009-0.490	2400/F(kHz)	300
0.490-1.705	24000/F(kHz)	30
1.705-30.0	30	30
30-88	100**	3
88-216	150**	3
216-960	200**	3
Above 960	500	3

15.205 Restricted bands of operation

MHz	MHz	MHz	GHz
0.090-0.110	16.42-16.423	399.9-410	4.5-5.15
¹ 0.495-0.505	16.69475-16.69525	608-614	5.35-5.46
2.1735-2.1905	16.80425-16.80475	960-1240	7.25-7.75
4.125-4.128	25.5-25.67	1300-1427	8.025-8.5
4.17725-4.17775	37.5-38.25	1435-1626.5	9.0-9.2
4.20725-4.20775	73-74.6	1645.5-1646.5	9.3-9.5
6.215-6.218	74.8-75.2	1660-1710	10.6-12.7
6.26775-6.26825	108-121.94	1718.8-1722.2	13.25-13.4
6.31175-6.31225	123-138	2200-2300	14.47-14.5
8.291-8.294	149.9-150.05	2310-2390	15.35-16.2
8.362-8.366	156.52475-156.52525	2483.5-2500	17.7-21.4
8.37625-8.38675	156.7-156.9	2690-2900	22.01-23.12
8.41425-8.41475	162.0125-167.17	3260-3267	23.6-24.0
12.29-12.293	167.72-173.2	3332-3339	31.2-31.8
12.51975-12.52025	240-285	3345.8-3358	36.43-36.5
12.57675-12.57725	322-335.4	3600-4400	(2)
13.36-13.41			

Notes:

- (1) Measurement was performed at an antenna to the closed point of EUT distance of meters.
- (2) Emission level (dBuV/m)=20log Emission level (uV/m).
- (3) Only spurious frequency is permitted to locate within the Restricted Bands specified in provision of 15.205, and the emissions located in restricted bands also comply with 15.209limit.
- (4) The emission limits shown in the above table are based on measurements employing a CISPR quasi-peak detector except for the frequency bands 9-90 kHz, 110-490 kHz and above 1000 MHz. Radiated emission limits in these three bands are based on measurements employing an average detector

3.2.23.2.2 TEST PROCEDURE

Test Arrangement for Radiated Emissions up to 1 GHz

- a. The EUT was placed on the top of a rotating table 0.8 meters above the ground at an accredited test facility. The table was rotated 360 degrees to determine the position of the highest radiation.
- b. The EUT was set 3 meters away from the interference-receiving antenna, which was mounted on the top of a variable-height antenna tower.
- c. The antenna is a broadband antenna (Blow 30M, use loop antenna), and its height is varied from one meter to four meters above the ground to determine the maximum value of the field strength. Both horizontal and vertical polarizations of the antenna are set to make the measurement.
- d. For each suspected emission, the EUT was arranged to its worst case and then the antenna was tuned to heights from 1 meter to 4 meters and the rotatable table was turned from 0 degrees to 360 degrees to find the maximum reading.

Note: The resolution bandwidth and video bandwidth of test receiver/spectrum analyzer is 120kHz for quasi-peak detection (QP) at frequency below 1GHz.

Test Arrangement for Radiated Emissions above 1 GHz.

- a. The EUT was placed on the top of a rotating table 0.8 meters above the ground at an accredited chamber room. The table was rotated 360 degrees to determine the position of the highest radiation.
- b. The EUT was set 3 meters away from the interference-receiving antenna, which was mounted on the top of a variable-height antenna tower.
- c. The height of antenna can be varied from one meter to four meters, the height of adjustment depends on the EUT height and the antenna 3dB beamwidth both, to detect the maximum value of the field strength. Both horizontal and vertical polarizations of the antenna are set to make the measurement.
- d. For each suspected emission, the EUT was arranged to its worst case and then the antenna was tuned to heights and the rotatable table was turned from 0 degrees to 360 degrees to find the maximum reading.

During the radiated emission test, the Spectrum Analyzer was set with the following configurations:

Use the following receiver/spectrum analyzer settings:

Span = wide enough to fully capture the emission being measured

RBW=200Hz for 9KHz to 150KHz,

RBW=9kHz for 150KHz to 30MHz,

RBW=120KHz for 30MHz to 1GHz

VBW \geq 3*RBW

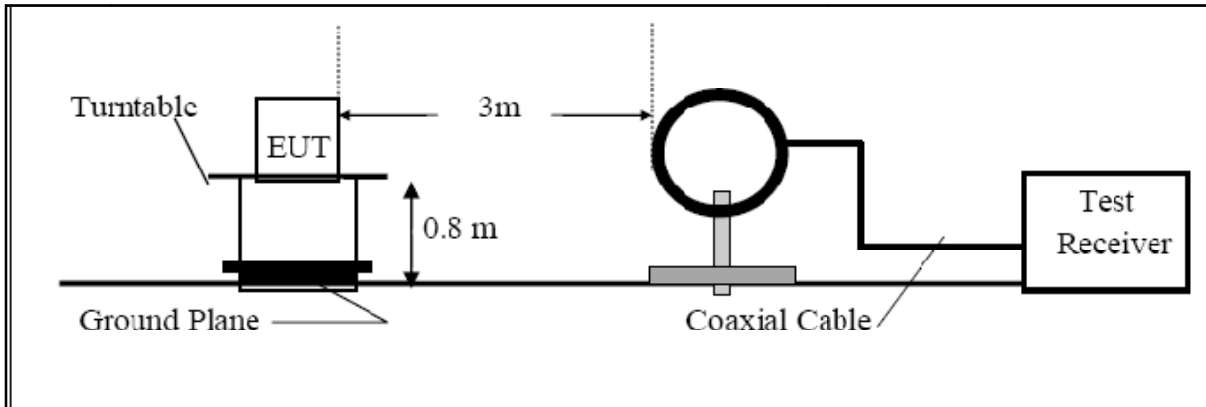
Sweep = auto

Detector function = QP

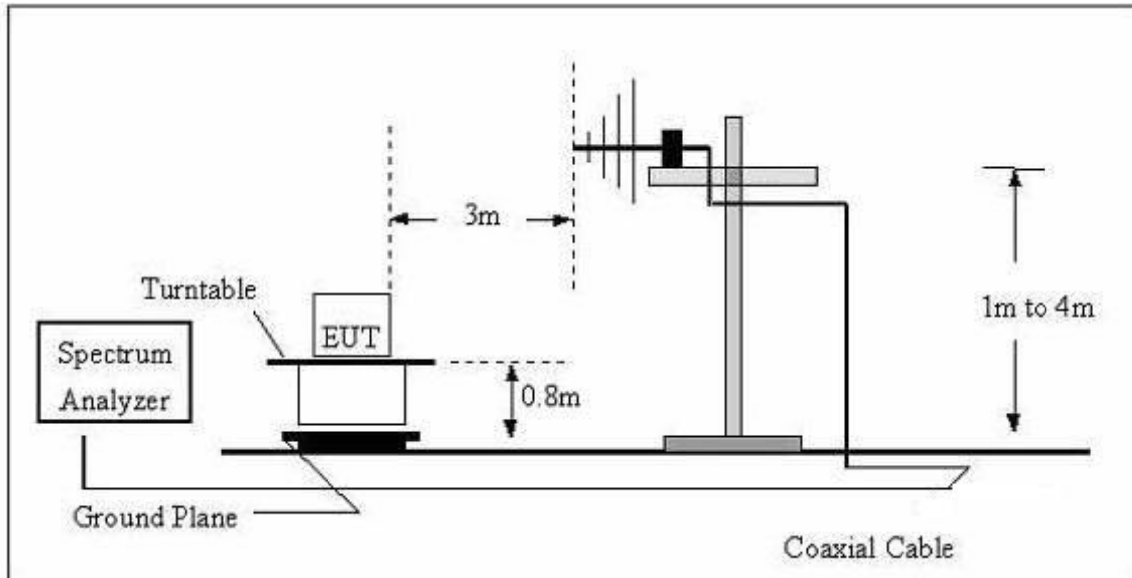
Trace = max hold

3.2.33.2.3 TEST SETUP

For Radiated Emission Test Set-Up, Frequency Below 30MHz



For Radiated Emission 30~1000MHz



3.2.43.2.4 TEST RESULTS

TEST RESULTS(9KHz~30MHz)

EUT:	Phone Sanitizer with Qi Wireless Charger	Model Name. :	PYS-WPC20035-1
Temperature:	23.3℃	Relative Humidity:	53.9%
Pressure:	1010 hPa	Test Date :	2020-10-13
Test Mode :	Mode 1 (Full load)	Polarization :	X
Test Power :	AC 120V 3A		

Remark:

Factor = Antenna Factor + Cable Loss - Amplifier.

Frequency	Ant.Pol.	Reading Level	Factor	Emission Level	Limits	Margin	Remark
(MHz)		(dBuV/m)	(dB)	(dBuV/m)	(dBuV/m)	(dB)	
0.051	X	37.393	9.813	47.206	113.452	-66.246	QP
0.111	X	54.117	10.510	64.626	106.697	-42.071	PK(fundamental frequency)
0.827	X	36.635	11.128	47.764	69.25	-21.49	QP
4.469	X	28.142	12.063	40.205	69.542	-29.337	QP
7.660	X	32.694	12.423	45.117	69.542	-24.425	QP
20.097	X	25.189	15.093	40.282	69.542	-29.26	QP

Note:

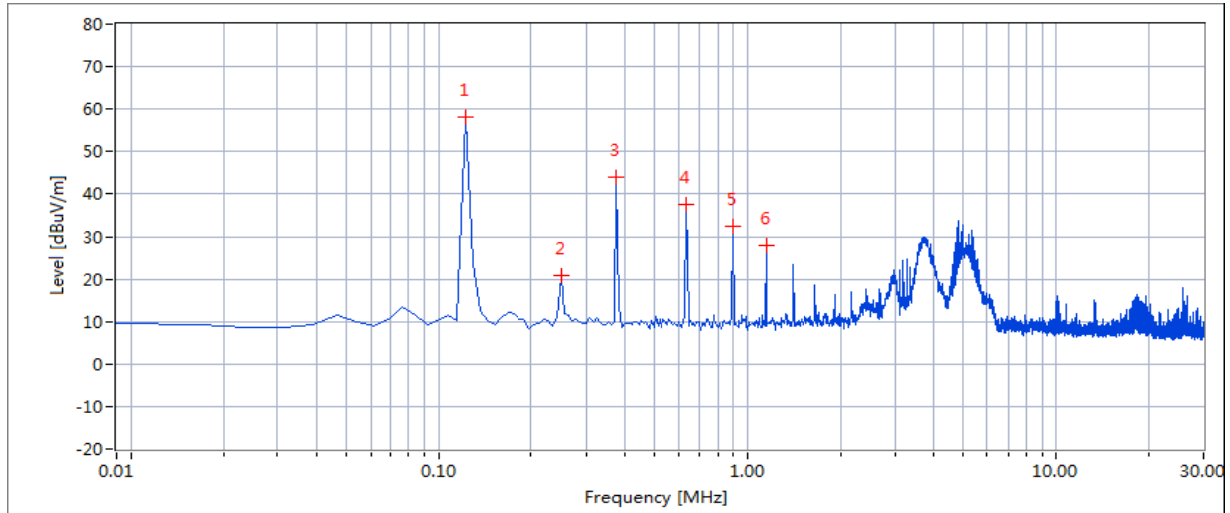
Below 30MHz, Pre-test the X, Y, Z axis to find X axis is worst case, so only record X axis test data.

X: Field strength which this device generates since the position of the charging coil and loop antenna differ by 0 degrees.

Y: Field strength which this device generates since the position of the charging coil and loop antenna differ by 90 degrees.

Z: Field strength which this device generates since the position of the charging coil and loop antenna differ by 180 degrees.

EUT:	Phone Sanitizer with Qi Wireless Charger	Model Name. :	PYS-WPC20035-1
Temperature:	23.3 °C	Relative Humidity:	53.8%
Pressure:	1010 hPa	Test Date :	2020-10-13
Test Mode :	Mode 2 (half load)	Polarization :	X
Test Power :	AC 120V 3A		



Remark:
Factor = Antenna Factor + Cable Loss - Amplifier.

Frequency	Ant.Pol	Reading Level	Factor	Emission Level	Limits	Margin	Remark
(MHz)		(dBuV/m)	(dB)	(dBuV/m)	(dBuV/m)	(dB)	
0.1245	X	47.678	10.522	58.2	85.7	-27.5	PK(fundamental frequency)
0.255	X	10.1	10.700	20.8	79.47	-58.67	QP
0.383	X	32.505	11.495	44.0	75.94	-31.94	QP
0.638	X	24.613	12.987	37.6	71.51	-33.91	QP
0.894	X	19.072	13.228	32.3	68.58	-36.28	QP
1.149		13.35	14.65	28.0	66.4	-38.4	QP

Note:

Below 30MHz, Pre-test the X, Y, Z axis to find X axis is worst case, so only record X axis test data.

X: Field strength which this device generates since the position of the charging coil and loop antenna differ by 0 degrees.

Y: Field strength which this device generates since the position of the charging coil and loop antenna differ by 90 degrees.

Z: Field strength which this device generates since the position of the charging coil and loop antenna differ by 180 degrees.

EUT:	Phone Sanitizer with Qi Wireless Charger	Model Name. :	PYS-WPC20035-1
Temperature:	23.3 °C	Relative Humidity:	53.8%
Pressure:	1010 hPa	Test Date :	2020-10-13
Test Mode :	Mode 3 (Null load)	Polarization :	X
Test Power :	Input:AC 120V 3A		

Remark:
Factor = Antenna Factor + Cable Loss - Amplifier.

Frequency	Ant.Pol.	Reading Level	Factor	Emission Level	Limits	Margin	Remark
(MHz)		(dBuV/m)	(dB)	(dBuV/m)	(dBuV/m)	(dB)	
0.072	X	34.914	9.478	44.393	110.45	-66.06	QP
0.204	X	71.199	10.103	81.302	101.41	-20.10	PK(fundamental frequency)
1.027	X	34.570	10.913	45.483	67.37	-21.89	QP
2.049	X	26.833	12.041	38.873	69.542	-30.669	QP
5.125	X	25.939	12.234	38.173	69.542	-31.369	QP
10.245	X	27.196	13.103	40.299	69.542	-29.243	QP

Note:

Below 30MHz, Pre-test the X, Y, Z axis to find X axis is worst case, so only record X axis test data.

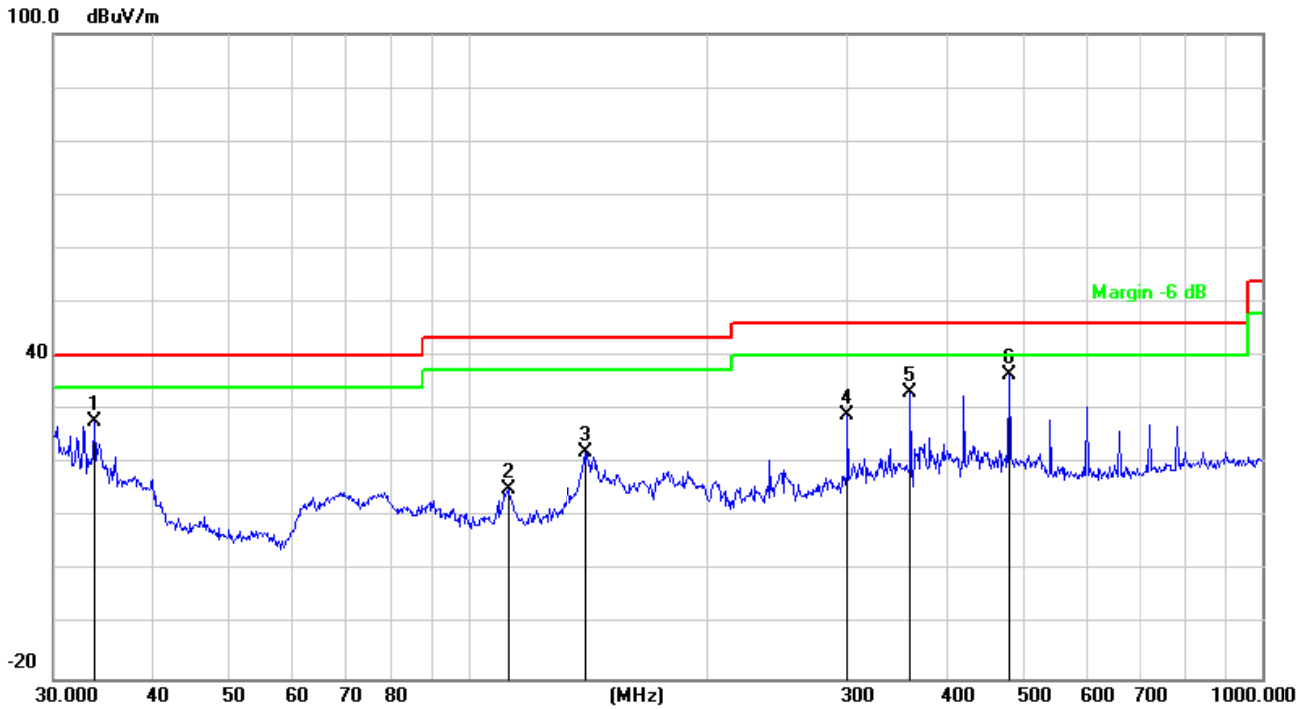
X: Field strength which this device generates since the position of the charging coil and loop antenna differ by 0 degrees.

Y: Field strength which this device generates since the position of the charging coil and loop antenna differ by 90 degrees.

Z: Field strength which this device generates since the position of the charging coil and loop antenna differ by 180 degrees.

TEST RESULTS(30MHz ~1000MHz)

EUT:	Phone Sanitizer with Qi Wireless Charger	Model Name. :	PYS-WPC20035-1
Temperature:	24.3 °C	Relative Humidity:	54.6%
Pressure:	1010 hPa	Test Date :	2020-10-13
Test Mode :	Mode1	Polarization :	Horizontal
Test Power :	Input:AC 120V 3A		

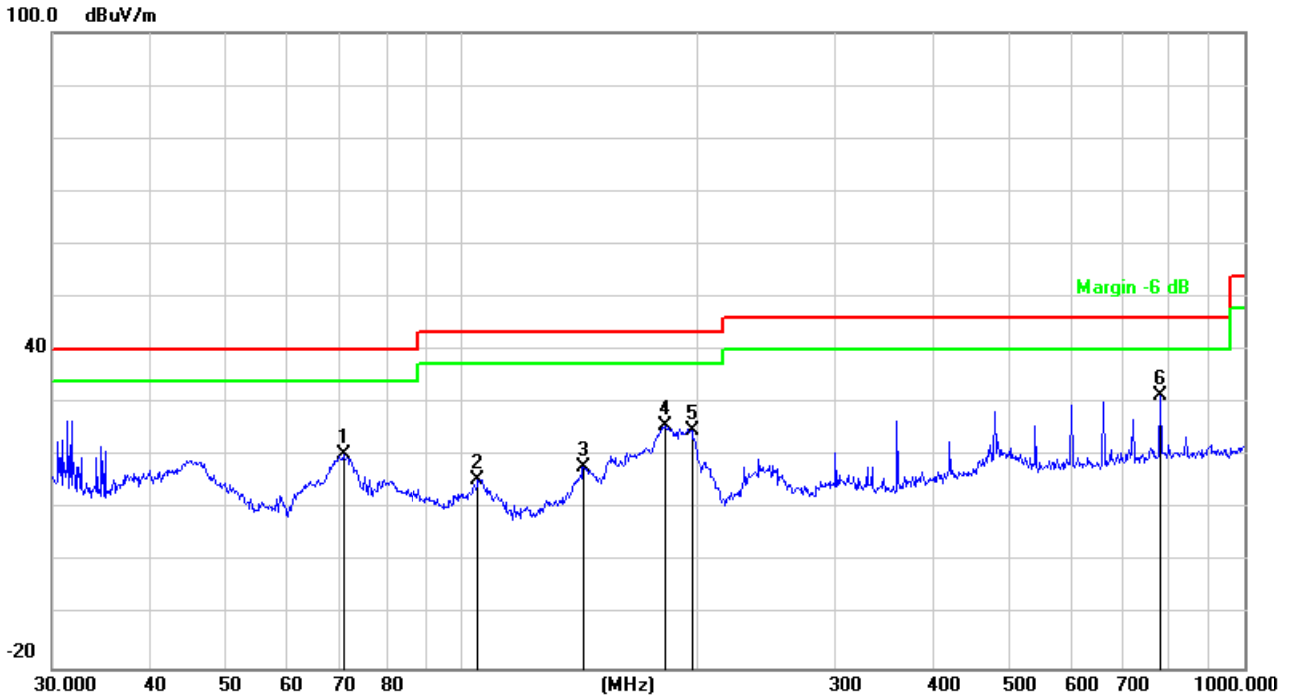


Remark:

Factor = Antenna Factor + Cable Loss - Amplifier.

No.	Mk.	Freq.	Reading Level	Correct Factor	Measurement	Limit	Over	Antenna Height	Table Degree	
		MHz	dBuV	dB	dBuV/m	dB/m	dB	cm	degree	Comment
1		33.7986	49.98	-22.27	27.71	40.00	-12.29	QP		
2		112.1305	40.60	-25.27	15.33	43.50	-28.17	QP		
3		140.3421	47.66	-25.53	22.13	43.50	-21.37	QP		
4		300.3672	52.41	-23.49	28.92	46.00	-17.08	QP		
5		360.4476	55.59	-22.32	33.27	46.00	-12.73	QP		
6	*	480.5276	56.13	-19.47	36.66	46.00	-9.34	QP		

EUT:	Phone Sanitizer with Qi Wireless Charger	Model Name. :	PYS-WPC20035-1
Temperature:	25.2 °C	Relative Humidity:	53%
Pressure:	1010 hPa	Test Date :	2020-10-13
Test Mode :	Mode 1	Polarization :	Vertical
Test Power :	Input:AC 120V 3A		



Remark:
Factor = Antenna Factor + Cable Loss - Amplifier.

No.	Mk.	Freq.	Reading Level	Correct Factor	Measurement	Limit	Over	Antenna Height	Table Degree	
		MHz	dBuV	dB	dBuV/m	dB/m	dB	cm	degree	Comment
1		70.5836	52.31	-32.05	20.26	40.00	-19.74			QP
2		104.9033	41.48	-25.85	15.63	43.50	-27.87			QP
3		143.3260	43.04	-25.06	17.98	43.50	-25.52			QP
4		181.9201	52.14	-26.42	25.72	43.50	-17.78			QP
5		196.5098	51.94	-27.00	24.94	43.50	-18.56			QP
6	*	782.3452	8.45	23.07	31.52	46.00	-14.48			QP

4. ANTENNA APPLICATION

4.1. Antenna Requirement

15.203 requirement: For intentional device, according to 15.203: an intentional radiator shall be designed to ensure that no antenna other than that furnished by the responsible party shall be used with the device.

4.2. Result

The EUT antenna is permanent attached antenna. It complies with the standard requirement.

-----END REPORT-----