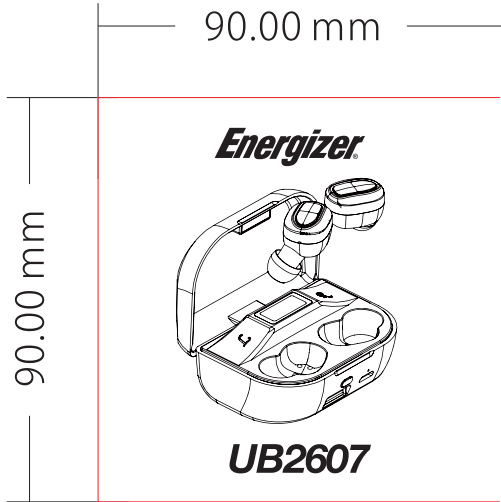


材质:105克 铜版纸 双面印刷 折页
尺寸: 90x90mm



Specification

Model Name : UB2607
Cell Type : Lithium Ion
Battery Capacity : 2600mAh/ 9.62Wh
Single earbud capacity : 40mAh
Rated Input : 5V/ 0.5A (Max.)
Rated Output : 5V/ 1A (Max.)
Bluetooth Version : 5.0
Impedance : Φ 6mm 16 Ω
Transmission distance : 10M
Frequency Range : 20Hz-20KHz
Protocols : HSP/ HFP/ A2DP/ AVRCP
Dimensions : 72(L) x 48(W) x 32(H) mm
Weight : 89g±5g

WARRANTY

All products from the date of purchase are qualified for limited time warranty. For more warranty information, please visit: <http://www.energizerpowerbanks.com>



PowerSafe Management

Guarantees against short circuit and over-charging for your power bank and devices.



Customer Service

For any question about the product, please contact us at service@energizerpowerbanks.com

Package Content



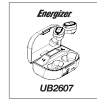
Charging case



Gel tips x 3
(total 3 pairs in the package)



Energizer earbuds

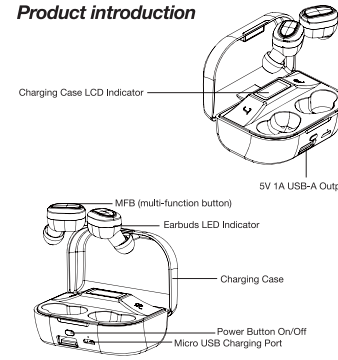


User manual



Charging cable

Product introduction



How to Use

Power on: Take the earbuds out of the case, the power will turn on automatically. You can also long press MFB button for 2 seconds to turn on the power manually. Power off: Put the earbuds back into the case, the power will turn off automatically. You can also long press MFB for 4 seconds, the red light on the indicator will shut off, the earbuds will turn off.

*If the 2 earbuds are connected, press one of the earbuds, the 2 earbuds will turn off simultaneously.

LED Light Indicator:

Pairing Mode:	Flashing blue and red light
Earbuds Connected:	One flashes blue and red, the other one flashes blue 1 time every 5 seconds
Phone Connected:	Both earbuds flash blue 1 time every 5 seconds
Battery Low:	Flashing red
Charging:	Red light on
Charging finished:	Blue light on for 1 min then shut off



1. Left Earbud Battery Level
2. Charging Case Battery Level
3. Right Earbud Battery Level

Pairing Instruction:

Take the 2 earbuds out of the box, they will automatically pair first, one earbud flashes blue, the other one flashes blue and red indicate pairing is completed.

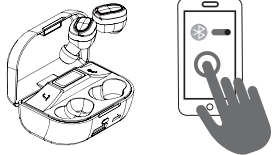
Turn on the Bluetooth of your phone, connect to "Energizer_UB2607". Open your phone music player app and play, you can enjoy music wirelessly.

Auto-connect:

Turn on the Bluetooth on your phone first, and then turn on the earbuds. It will automatically connect the last paired phone device when turned on next time.

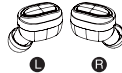
Clear pairing history:

In power on state, double touch then touch and hold the MFB until LED flash red and power off. You need to put the earbuds back into the box then get out to pair again.

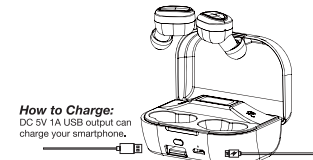


Button Operation:

Press 3 times to switch next(R) or previous(L) music.



- Press 1 time during music mode or calls: Play/Pause or Answer/Hang up/Switch between 2 calls
- Press 2 times: Next
- Long press 2 seconds: Reject a call during music mode or call/Activate phone voice control/Switch between calls



How to Charge:
DC 5V 1A USB output can charge your smartphone.

How to Recharge:

Connect the charging cable to the box, and connect to a power outlet to recharge

RF Exposure Compliance Statement:

This equipment complies with FCC radiation exposure limits set forth for an uncontrolled environment. This transmitter must not be co-located or operating in conjunction with any other antenna or transmitter.

CORRECT DISPOSAL OF THIS PRODUCT

(Waste Electrical & Electronic Equipment)

This marking shown on the product or its literature, indicates that it should not be disposed with other household wastes at the end of its working life.

To prevent possible harm to the environment or human health from uncontrolled waste disposal, please separate this from other types of wastes and recycle it responsibly to promote the sustainable reuse of material resources.

Household user should contact either the retailer where they purchased this product or their local government office for details of where and how they can take this item for environmentally safe recycling.

Business users should contact their supplier and check the terms and conditions of the purchase contract. This product should not be mixed with other commercial wastes for disposal.

FCC Statement

NOTE: This equipment has been tested and found to comply with the limits for a Class B digital device, pursuant to part 15 of the FCC Rules. These limits are designed to provide reasonable protection against harmful interference in a residential installation. This equipment generates uses and can radiate radio frequency energy and, if not installed and used in accordance with the instructions, may cause harmful interference to radio communications. However, there is no guarantee that interference will not occur in a particular installation. If this equipment does cause harmful interference to radio or television reception, which can be determined by turning the equipment off and on, the user is encouraged to try to correct the interference by one or more of the following measures:

- Reorient or relocate the receiving antenna.
- Increase the separation between the equipment and receiver.
- Connect the equipment into an outlet on a circuit different from that to which the receiver is connected.
- Consult the dealer or an experienced radio/TV technician for help

Changes or modifications not expressly approved by the party responsible for compliance could void the user's authority to operate the equipment.

This device complies with Part 15 of the FCC Rules. Operation is subject to the following two conditions:
(1) This device may not cause harmful interference, and (2) this device must accept any interference received, including interference that may cause undesired operation.

Safety Instruction

- Avoid water, heat, fire, penetration of the battery, and severe drops at all times.
- Do not insert other objects into the USB ports other than the USB connectors.
- Once the product is fully charged, your power pack automatically shuts off to save power.
- During charge & recharge, battery may feel slightly warm.
- Do not clean the battery with water or other cleaning products, clean the exterior with a lightly wetted cloth or napkin
- Any intentional and physical damage to the battery will not be under the warranty conditions
- Battery storage temperature is between -10°C-+60°C, operating temperature is 0°C-45°C
- Fully charge the battery before first use to maximize the battery life
- Recommend to recharge your power bank with a wall charger/adaptor.
- For better performance, avoid recharging the power bank while your device is connected to it.
- Dispose of battery properly; ask local disposal facility for advice.
- Do not disassemble, damage or incinerate the battery at any time.
- Please use the original accessories such as charging cable and adapter for better performance



Dispose the battery properly, seek for local disposal facility for advice. Do not dispose, assemble, damage, or incinerate the battery at all time.

© 2021 Energizer. Energizer and other graphic designs are trademarks of Energizer Brands, LLC and related subsidiaries and are used under license by TenFour International Corp. All other brand names are trademarks of their respective owners. Neither TenFour International Corp, nor Energizer Brands, LLC is affiliated with the respective owners of their trademarks.