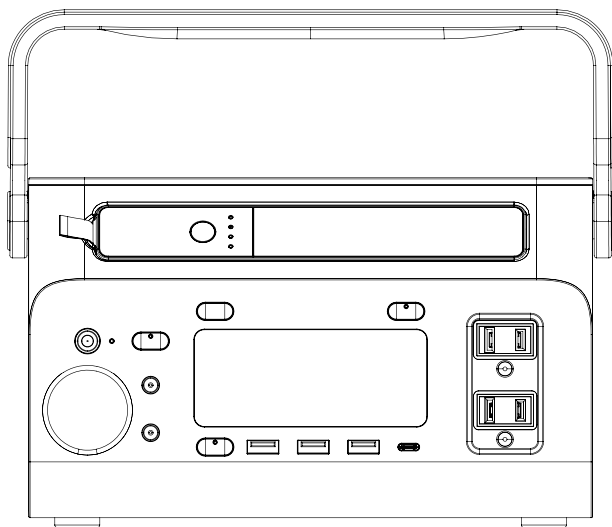


Energizer[®]

PORTABLE POWER STATION PPS300W2



SPECIFICATIONS

Portable Power Station

Model Name : PPS300W2

Battery : Lithium Ion

Capacity : 20.4Ah/14.4V, 293.76Wh

DC Input : 19V/3.15A

USB-C Input : 5V/3A, 9V/3A, 12V/3A, 15V/3A, 20V/3A (PD 60W Max.)

AC Output : 2 x 120Vac/ 60Hz 300W Max. (Peak 600W)

DC Output : 2 x 12V/10A (10A Max.)

Car Charger Outlet : 12V/10A Max. (Shared DC Output)

USB Output : 5V/3A, 9V/2A, 12V/1.5A

USB Output : 2 x 5V/2.4A

USB-C Output : PD 5V/3A, 9V/3A, 12V/3A, 15V/3A, 20V/3A (PD 60W Max.)

Wireless Output: 5W/10W

Solar Panel Input : MPPT 12V-28V (60W Max.)

Dimension : 9.84(L) x 5.91(W) x 5.51(H) inches/ 250(L) x 150(W) x 140(H) mm

Weight : 7.83±0.5 pounds/ 3.55±0.3kg

Made in China

Pure Sine Wave Output

This product generates pure sine wave, which is compatible with AC electric appliance that works with sinusoidal wave form

However, the product is only used for emergency situations.

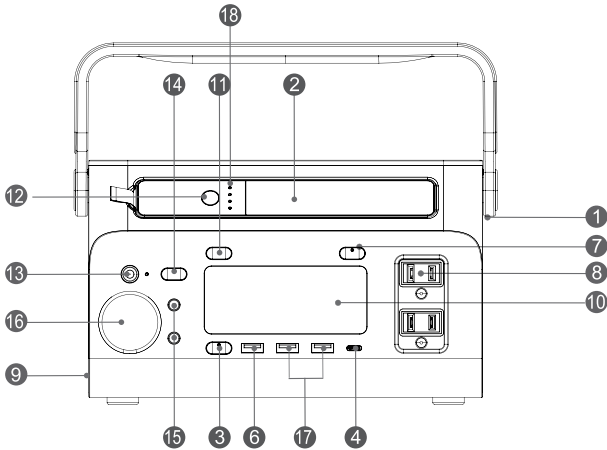
It cannot replace the standard DC or AC power supply for household appliances or digital products.

Package Content :

Portable Power Station x 1 Power Adapter x 1 User Manual x 1

Solar Panel Extension Adapter x 1 Carry Bag x 1

PRODUCT DESCRIPTION



①	Air Vents	⑨	Air Vents
②	LED Flashlight	⑩	LED Display
③	USB Power Button	⑪	Main Power Switch
④	USB-C Input/Output	⑫	LED Light Button
⑤	Wireless Charging Output	⑬	DC Input
⑥	18W USB Output	⑭	DC Power Button
⑦	AC Power Button	⑮	DC Output
⑧	AC Power Output	⑯	Car Charger Outlet
⑰	USB-A Output	⑱	LED Flashlight Indicator

AC Output

A. Press the AC on/off button to activate AC mode.

B. Connect the appropriate plug to the electrical outlet/socket to begin charging.

NOTE:

A. Do not connect device/appliance that is over 600W.

B. AC electric plug type is based on the country/region being sold.

HOW TO CHARGE

HOW TO CHARGE

Power Button

- A. Long press the power button for 3 seconds to turn on the power station.
- B. Long press the power button to turn off the power station.

AC on/off Button

- A. When the power is on, short press the AC button to turn on AC charging.
- B. Short press the AC button to turn off the AC charging

LED Flashlight Button

- A. When the power is on, press the LED flashlight button to turn on the LED flashlight mode.
- B. Press the button again to switch to different modes- flashing light mode, SOS mode, and off mode.
- C. Remove the LED flashlight to use it separately. Return the flashlight to the same place to recharge or recharge via USB-C input port. Flashing LED lights indicate the flashlight is being charged, and solid LED lights indicate the flashlight is fully charged.
- D. Warning: DO NOT stare at the light directly.

USB Outputs

- A. For fast charge, please use compatible cable and device(s).

NOTE:

When USB-A outputs are overloaded or enter short circuit mode, short press the power button to reactive USB-A charging. For USB-C, unplug and plug in the USB-C cable again to restore charging.

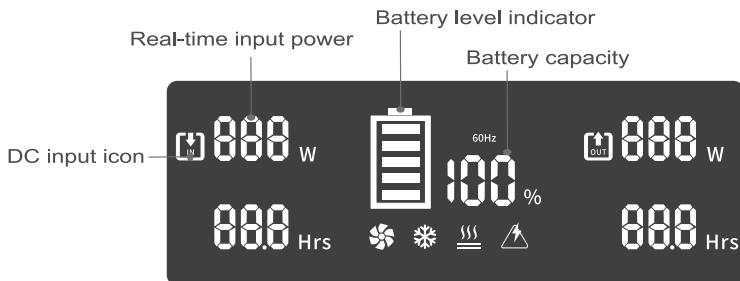
DC Outputs

- A. Can connect to a car charger that is no more than 100W.

NOTE:

- A. Over-current protection: When the DC output is over current, the corresponding icon on the display will shut off. Short press the power button to restore.
- B. Short-circuit protection: When the DC external short circuit protection is on, the corresponding icon on the display will shut off. Long press the power button to restart the power station and restore output.

HOW TO RECHARGE



Fast Recharge Through DC Input+ USB-C PD Input

- Connect the power adapter to the DC input port to begin recharge.
 - Connect the PD adapter to the USB-C PD input port to begin recharge.
 - The DC input port and USB-C PD input port can charge simultaneously.
- Remark: To optimize fast charge performance, it is highly recommended to recharge your power station with a USB-C PD adapter (not included) with a high power input of 60W or above is preferred.

LED Display

- Charging level show in pie charts of 5 segments.
- Blinking light indicates charging status, solid light indicates the product is fully charged.
- The icons will light up when the function is activated.
- If the power station is not in use, the power station will automatically turn off in 3 minutes.
- If the power station is in use, short-press the power button once to turn off the LED display, the power supply remains uninterrupted. Short-press the power button again to turn on the LED display.

Recharge Through Solar Panel

- Place the solar panel where it will get the strongest and most direct sunlight as possible.
- Connect the cable to the input port to begin recharge.

NOTE:

- The actual charging efficiency can vary widely depending on the weather, ambient temperature, sunlight's strength, the angle that the solar panels faces to the straight sunlight and other factors.
- Use solar panels below 28V for charging, it will automatically cut off when input higher than 28V.
- Built-in MPPT technology that allows solar panel to recharge efficiently.

Function Introduction

1. This product is versatile and suitable for indoor and camping use.



Long-Distance Travel



Camping



Wild Exploration

2. This product has 120V AC inverter function which can supply power to low-power appliances, such as lights, laptop, mini fan, mini cooker, etc.



Mini Fan



Mini Cooker



Lamps

3. This product has a DC output interface, 18W USB fast charging ports and PD charging ports. DC output function allows it to power digital products such as mobile phones, GPS units, DVD players and small mobile devices.



Laptop



Tablet PC



GPS units

4. This product has a built-in high-capacity battery, which makes it suitable for camping activities. It is also equipped with a high brightness LED, which has several modes like adjustable-brightness lighting, flashing, emergency light and SOS signal.



High-Capacity Battery



Emergency Light



Camping Power Supply

Caution

1. Do not short-circuit the product. To avoid short-circuiting, keep the product away from all metal objects(e.g. coins, hair-pins, keys, etc.).
2. Do not heat the product, or dispose it in fire, water or other liquids. Keep it away from high ambient temperature. Do not expose the product to direct sunlight.
3. Keep the product away from humid, dusty places.
4. Do not disassemble or reassemble this product.
5. Do not drop, place heavy objects on, or allow strong impact to this product.
6. To charge some portable electronic devices, you may need to set those devices in charge mode first. Refer the corresponding user manual of those devices for confirmation.
7. Please keep this product away from children.
8. Do not cover the product with towels, clothing or other items.
9. Do not overcharge this product.
10. When fully charged, disconnect the product from the power source immediately.
11. When charging this product, please keep it away from TVs, radios and other equipment to avoid radio wave interference.
12. If you are not going to use this product for a long time, please disconnect the cable before storing it away.



This product is NOT waterproof. Please do not use nor store it in a wet environment. Rain, water spray, juice, coffee, steam, sweat and other liquids may cause a breakdown. This product is NOT dustproof. Please do not use in sandy and dusty environment, such as beaches and deserts, it may cause a breakdown.

Cold Weather Usage

Cold temperatures 14~140°F (-10 ~ 65°C) can affect the product's battery capacity due to chemical characteristics of the battery. If you'll be living off grid in sub-zero conditions, it is recommended to keep your product in an insulated cooler, and connected to a power source (car charger/AC adapter/solar panel). The natural heat generated by the product contained in an insulated cooler will keep battery capacity at its highest level. Charging the power station, the input temperature is 32~113F. Operating temperature is 23~113F.

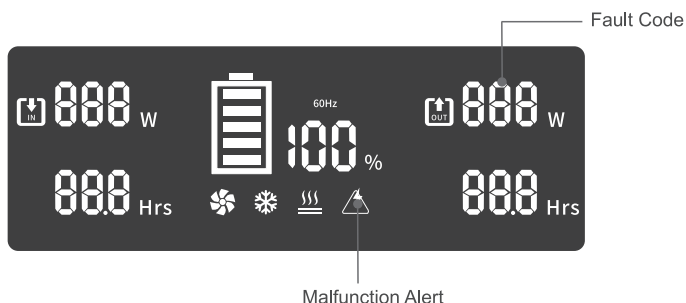
Disposal and Recycle

This product should not be disposed along with household waste. Please dispose or recycle this product and the battery inside according to the local rules and regulations.

Battery Information

This product has an internal, non-removable, Lithium Ion rechargeable battery. Do not attempt to remove the battery, as you may damage the device. The battery can be charged and discharged over 1500 times.

Fault Code



- Fault Code: E01
Fault Content: DC output overload
Fault Solution: Disconnect the devices in the DC connection, short press the DC button to switch on the DC output function.
- Fault Code: E02
Fault Content: DC output short-circuit
Fault Solution: Disconnect the devices in the DC connection, short press the DC button to switch on the DC output function.
- Fault Code: E03
Fault Content: AC output/input overload or short-circuit
Fault Solution: Disconnect the AC output device, short press the AC button to switch on the AC function.
- Fault Code: E04
Fault Content: AC output over-temperature
Fault Solution: Disconnect the device in the AC connection. When the working temperature returns to the normal level, the fault code will be removed.

- **Fault Code: E05**
Fault Content: PD input/output overload or short-circuit
Fault Solution: Disconnect the devices in the PD connection and reconnect it.
- **Fault Code: E06**
Fault Content: Battery over-temperature
Fault Solution: Disconnect all the devices. When the working temperature returns to the normal level, the fault code will be removed.
- **Fault Code: E07**
Fault Content: Battery low-temperature
Fault Solution: Disconnect all the devices. When the working temperature returns to the normal level, the fault code will be removed.
- **Fault Code: E08**
Fault Content: USB-A output overload or short-circuit
Fault Solution: Disconnect the devices in USB-A connection first. Short press the USB button or connect the PD output interface then. After that, the fault code will be removed automatically.
- **Fault Code: E09**
Fault Content: DC charging over-voltage
Fault Solution: Disconnect the device in DC connection. Once the voltage turns to normal, the fault condition will be removed automatically.
- **Fault Code: E10**
Fault Content: DC charging low-voltage
Fault Solution: Disconnect the device in DC connection. Once the voltage turns to normal, the fault condition will be removed automatically.
- **Fault Code: E11**
Fault Content: Battery input/output over-temperature
Fault Solution: Disconnect all the devices. When the working temperature returns to the normal level, the fault code will be removed.



PowerSafe Management

Guarantees against short circuit and over-charging for your power bank and devices.



Customer Service

For any questions about the product, please contact us at
1-888-782-5618
support@energizerpowersolutions.com



©2023 Energizer. Energizer, Energizer Character and certain graphic designs are trademarks of Energizer Brands, LLC and related subsidiaries and are used under license by TennRich International Corp..



WARNING -This product can expose you to chemicals including Pb and Di(2-ethylhexyl) phthalate (DEHP), which are known to the State of California to cause cancer and birth defects or other reproductive harm. For more information go to www.p65warnings.ca.gov.

FCC statement:

This device complies with Part 15 of the FCC rules. Operation is subject to the following two conditions: 1) this device may not cause harmful interference, and 2) this device must accept any interference received, including interference that may cause undesired operation.

Note: This equipment has been tested and found to comply with the limits for a Class B digital device, pursuant to part 15 of the FCC Rules. These limits are designed to provide reasonable protection against harmful interference in a residential installation.

This equipment generates uses and can radiate radio frequency energy and, if not installed and used in accordance with the instructions, may cause harmful interference to radio communications. However, there is no guarantee that interference will not occur in particular installation. If this equipment does cause harmful interference to radio or television reception, which can be determined by turning the equipment off and on, the user is encouraged to try to correct the interference by one or more of the following measures:

- Reorient or relocate the receiving antenna.
- Increase the separation between the equipment and receiver.
- Connect the equipment into an outlet on a circuit different from that to which the receiver is connected.
- Consult the dealer or an experienced radio/TV technician for help.

Changes or modifications not expressly approved by the party responsible for compliance could void the user's authority to operate the equipment.

Radiation Exposure Statement

This device complies with FCC RF radiation exposure limits set forth for an uncontrolled environment. This transmitter must not be co-located or operating in conjunction with any other antenna or transmitter. During the operation of device a distance of 15 cm surrounding the device and 20 cm above the top surface of the device must be respected.