



TEST REPORT

FCC PART 15.247

Report Reference No. : CTL2403012071-WF02

Compiled by: Happy Guo
(position+printed name+signature) (File administrators)

Tested by: Wuqiang Wu
(position+printed name+signature) (Test Engineer)

Approved by: Ivan Xie
(position+printed name+signature) (Manager)



Product Name : Bluetooth Speaker with Power Bank

Model/Type reference : BTS206

List Model(s)..... : N/A

Trade Mark..... : Energizer

FCC ID..... : 2AU4P-BTS206

Applicant's name : TennRich International Corp.

Address of applicant : 1-3, Alley 5, Lane 305, Sec 1,Shin Nan Road, Lu Chu District,Taoyuan,Taiwan,China

Test Firm..... : Shenzhen CTL Testing Technology Co., Ltd.

Address of Test Firm : Floor 1-A, Baisha Technology Park, No.3011, Shahexi Road, Nanshan District, Shenzhen, China 518055

Test specification :
Standard : FCC Part 15.247: Operation within the bands 902-928 MHz, 2400-2483.5 MHz and 5725-5850 MHz.

TRF Originator : Shenzhen CTL Testing Technology Co., Ltd.

Master TRF..... : Dated 2011-01

Date of receipt of test item : Apr. 08, 2024

Date of Test Date..... : Apr. 08, 2024-Apr. 25, 2024

Date of Issue : Apr. 28, 2024

Result..... : Pass

Shenzhen CTL Testing Technology Co., Ltd. All rights reserved.

This publication may be reproduced in whole or in part for non-commercial purposes as long as the Shenzhen CTL Testing Technology Co., Ltd. is acknowledged as copyright owner and source of the material. Shenzhen CTL Testing Technology Co., Ltd. takes no responsibility for and will not assume liability for damages resulting from the reader's interpretation of the reproduced material due to its placement and context.

TEST REPORT

| | |
|---|---------------|
| Test Report No. : CTL2403012071-WF02 | Apr. 28, 2024 |
| | Date of issue |

Equipment under Test : Bluetooth Speaker with Power Bank

Sample No : CTL2403012071

Model /Type : BTS206

Listed Models : N/A

Applicant : **TennRich International Corp.**

Address : 1-3, Alley 5, Lane 305, Sec 1, Shin Nan Road, Lu Chu District, Taoyuan, Taiwan, China

Manufacturer : **Shenzhen Rongke Shengshi Electronic Co.,Ltd**

Address : 5F, Building 1, Starlight Industrial Zone, No.17, Gonghe industrial Road Xixiang, Baoan, Shenzhen ,China

| | |
|--------------------|---------------|
| Test result | Pass * |
|--------------------|---------------|

* In the configuration tested, the EUT complied with the standards specified page 5.

The test results presented in this report relate only to the object tested.

This report shall not be reproduced, except in full, without the written approval of the issuing testing laboratory.

Table of Contents

Page

| | |
|---|-----------|
| 1. SUMMARY | 5 |
| 1.1. TEST STANDARDS | 5 |
| 1.2. TEST DESCRIPTION | 5 |
| 1.3. TEST FACILITY | 6 |
| 1.4. STATEMENT OF THE MEASUREMENT UNCERTAINTY | 6 |
| 2. GENERAL INFORMATION | 8 |
| 2.1. ENVIRONMENTAL CONDITIONS | 8 |
| 2.2. GENERAL DESCRIPTION OF EUT | 8 |
| 2.3. DESCRIPTION OF TEST MODES AND TEST FREQUENCY | 9 |
| 2.4. EQUIPMENTS USED DURING THE TEST | 10 |
| 2.5. RELATED SUBMITTAL(S) / GRANT (S) | 10 |
| 2.6. MODIFICATIONS | 10 |
| 3. TEST CONDITIONS AND RESULTS | 11 |
| 3.1. CONDUCTED EMISSIONS TEST | 11 |
| 3.2. RADIATED EMISSIONS AND BAND EDGE | 14 |
| 3.3. MAXIMUM CONDUCTED OUTPUT POWER | 26 |
| 3.4. POWER SPECTRAL DENSITY | 27 |
| 3.5. 6DB BANDWIDTH | 28 |
| 3.6. OUT-OF-BAND EMISSIONS | 29 |
| 3.7. ANTENNA REQUIREMENT | 30 |
| 4. TEST SETUP PHOTOS OF THE EUT | 31 |
| 5. EXTERNAL AND INTERNAL PHOTOS OF THE EUT | 32 |

1. SUMMARY

1.1. TEST STANDARDS

The tests were performed according to following standards:

[FCC Rules Part 15.247](#): Frequency Hopping, Direct Spread Spectrum and Hybrid Systems that are in operation within the bands of 902-928 MHz, 2400-2483.5 MHz, and 5725-5850 MHz

[ANSI C63.10: 2013](#): American National Standard for Testing Unlicensed Wireless Devices

[KDB 558074 D01 15.247 Meas Guidance v05r02](#) : Guidance for Performing Compliance Measurements on Digital Transmission Systems (DTS) Operating Under §15.247

1.2. Test Description

| FCC PART 15.247 | | |
|---------------------------------|--------------------------------|------|
| FCC Part 15.207 | AC Power Conducted Emission | PASS |
| FCC Part 15.247(a)(2) | 6dB Bandwidth | PASS |
| FCC Part 15.247(d) | Spurious RF Conducted Emission | PASS |
| FCC Part 15.247(b) | Maximum Conducted Output Power | PASS |
| FCC Part 15.247(e) | Power Spectral Density | PASS |
| FCC Part 15.109/ 15.205/ 15.209 | Radiated Emissions | PASS |
| FCC Part 15.247(d) | Band Edge | PASS |
| FCC Part 15.203/15.247 (b) | Antenna Requirement | PASS |

Note: N/A= not applicable

1.3. Test Facility

1.3.1 Address of the test laboratory

Shenzhen CTL Testing Technology Co., Ltd.

Floor 1-A, Baisha Technology Park, No.3011, Shahexi Road, Nanshan District, Shenzhen, China 518055

There is one 3m semi-anechoic chamber and two line conducted labs for final test. The Test Sites meet the requirements in documents ANSI C63.10 and CISPR 32/EN 55032 requirements.

1.3.2 Laboratory accreditation

The test facility is recognized, certified, or accredited by the following organizations:

CNAS-Lab Code: L7497

Shenzhen CTL Testing Technology Co., Ltd. has been assessed and proved to be in compliance with CNAS-CL01 Accreditation Criteria for Testing and Calibration Laboratories (identical to ISO/IEC 17025: 2017 General Requirements) for the Competence of Testing and Calibration Laboratories.

A2LA-Lab Cert. No. 4343.01

Shenzhen CTL Testing Technology Co., Ltd, EMC Laboratory has been accredited by A2LA for technical competence in the field of electrical testing, and proved to be in compliance with ISO/IEC 17025: 2017 General Requirements for the Competence of Testing and Calibration Laboratories and any additional program requirements in the identified field of testing.

IC Registration No.: 9618B

CAB identifier: CN0041

The 3m alternate test site of Shenzhen CTL Testing Technology Co., Ltd. EMC Laboratory has been registered by Innovation, Science and Economic Development Canada to test to Canadian radio equipment requirements with Registration No.: 9618B.

FCC-Registration No.: 399832

Designation No.: CN1216

Shenzhen CTL Testing Technology Co., Ltd. EMC Laboratory has been registered and fully described in a report filed with the (FCC) Federal Communications Commission. The acceptance letter from the FCC is maintained in our files. Registration 399832.

1.4. Statement of the measurement uncertainty

The data and results referenced in this document are true and accurate. The reader is cautioned that there may be errors within the calibration limits of the equipment and facilities. The measurement uncertainty was calculated for all measurements listed in this test report acc. to CISPR 16 - 4 "Specification for radio disturbance and immunity measuring apparatus and methods – Part 4: Uncertainty in EMC Measurements" and is documented in the Shenzhen CTL Testing Technology Co., Ltd. quality system acc. to DIN EN ISO/IEC 17025. Furthermore, component and process variability of devices similar to that tested may result in additional deviation. The manufacturer has the sole responsibility of continued compliance of the device.

Hereafter the best measurement capability for CTL laboratory is reported:

| Test | Measurement Uncertainty | Notes |
|---------------------------------|-------------------------|-------|
| Transmitter power Radiated | ±2.20 dB | (1) |
| Occupied Bandwidth | ±0.02ppm | (1) |
| Radiated Emission 30~1000MHz | ±4.10dB | (1) |
| Radiated Emission Above 1GHz | ±4.32dB | (1) |
| Conducted Disturbance0.15~30MHz | ±2.96dB | (1) |
| 20dB Emission Bandwidth | ±1.9% | (1) |

| | | |
|--------------------------------------|---|-----|
| Carrier Frequency Separation | $\pm 1.9\%$ | (1) |
| Maximum Power Spectral Density Level | ± 0.98 dB | (1) |
| Number of Hopping Channel | $\pm 1.9\%$ | (1) |
| Time of Occupancy | $\pm 0.11\%$ | (1) |
| Max Peak Conducted Output Power | ± 0.98 dB | (1) |
| Band-edge Spurious Emission | ± 1.21 dB | (1) |
| Conducted RF Spurious Emission | 9kHz-7GHz: ± 1.09 dB 7GHz-26.5GHz: ± 3.27 dB | (1) |

- (1) This uncertainty represents an expanded uncertainty expressed at approximately the 95% confidence level using a coverage factor of $k=1.96$.

2. GENERAL INFORMATION

2.1. Environmental conditions

During the measurement the environmental conditions were within the listed ranges:

| | |
|---------------------|---------|
| Normal Temperature: | 25°C |
| Relative Humidity: | 55 % |
| Air Pressure: | 101 kPa |

2.2. General Description of EUT

| | |
|-----------------------|-----------------------------------|
| Product Name: | Bluetooth Speaker with Power Bank |
| Model/Type reference: | BTS206 |
| Power supply: | DC 3.7V form battery |
| Bluetooth LE | |
| Supported type: | Bluetooth Low Energy |
| Modulation: | GFSK |
| Operation frequency: | 2402MHz~2480MHz |
| Channel number: | 40 |
| Channel separation: | 2MHz |
| Antenna type: | PCB Antenna |
| Antenna gain: | -0.58 dBi |

Note1: For more details, please refer to the user's manual of the EUT.

Note2: Antenna gain provided by the applicant.

2.3. Description of Test Modes and Test Frequency

The Applicant provides communication tools software to control the EUT for staying in continuous transmitting (Duty Cycle more than 98%) and receiving mode for testing.

There are 40 channels provided to the EUT and Channel 00/19/39 were selected for BLE test.

Operation Frequency List :

| Channel | Frequency (MHz) |
|-----------|-----------------|
| 00 | 2402 |
| 02 | 2404 |
| 03 | 2406 |
| : | : |
| 19 | 2440 |
| : | : |
| 37 | 2476 |
| 38 | 2478 |
| 39 | 2480 |

Note: The line display in grey were the channel selected for testing

2.4. Equipments Used during the Test

| Test Equipment | Manufacturer | Model No. | Serial No. | Calibration Date | Calibration Due Date |
|---------------------------------|--------------------------------|-------------|--------------|------------------|----------------------|
| LISN | R&S | ESH2-Z5 | 860014/010 | 2023/05/04 | 2024/05/03 |
| Double cone logarithmic antenna | Schwarzbeck | VULB 9168 | 824 | 2023/02/13 | 2026/02/12 |
| Horn Antenna | Ocean Microwave | OBH100400 | 26999002 | 2021/12/22 | 2024/12/21 |
| EMI Test Receiver | R&S | ESCI | 1166.5950.03 | 2023/05/04 | 2024/05/03 |
| Spectrum Analyzer | Agilent | E4407B | MY41440676 | 2023/05/05 | 2024/05/04 |
| Spectrum Analyzer | Agilent | N9020A | US46220290 | 2023/05/05 | 2024/05/04 |
| Spectrum Analyzer | Keysight | N9020A | MY53420874 | 2023/05/05 | 2024/05/04 |
| Horn Antenna | Sunol Sciences Corp. | DRH-118 | A062013 | 2021/12/23 | 2024/12/22 |
| Active Loop Antenna | Da Ze | ZN30900A | / | 2021/05/13 | 2024/05/12 |
| Amplifier | Agilent | 8449B | 3008A02306 | 2023/05/04 | 2024/05/03 |
| Amplifier | MRT Technology(Suzhou)Co., Ltd | MRT-AP01M06 | S-001 | 2023/05/04 | 2024/05/03 |
| Amplifier | Brief&Smart | LNA-4018 | 2104197 | 2023/05/05 | 2024/05/04 |
| Temperature/Humidity Meter | Ji Yu | MC501 | / | 2023/05/09 | 2024/05/08 |
| Power measurement module | TSTPASS | TSPS2023R | TSCB220016 | 2023/05/05 | 2024/05/04 |
| Power Sensor | Agilent | U2021XA | MY53340004 | 2023/05/06 | 2024/05/05 |
| Power Sensor | Agilent | U2021XA | MY54080012 | 2023/05/05 | 2024/05/04 |
| Spectrum Analyzer | RS | FSP | 1164.4391.38 | 2023/05/05 | 2024/05/04 |
| Test Software | | | | | |
| Name of Software | | | Version | | |
| TST-PASS | | | V2.0 | | |
| EZ_EMG(Below 1GHz) | | | V1.1.4.2 | | |
| EZ_EMG(Above 1GHz) | | | V1.1.4.2 | | |

The calibration interval was one year

2.5. Related Submittal(s) / Grant (s)

This submittal(s) (test report) is intended to comply with Section 15.247 of the FCC Part 15, Subpart C Rules.

2.6. Modifications

No modifications were implemented to meet testing criteria.

3. TEST CONDITIONS AND RESULTS

3.1. Conducted Emissions Test

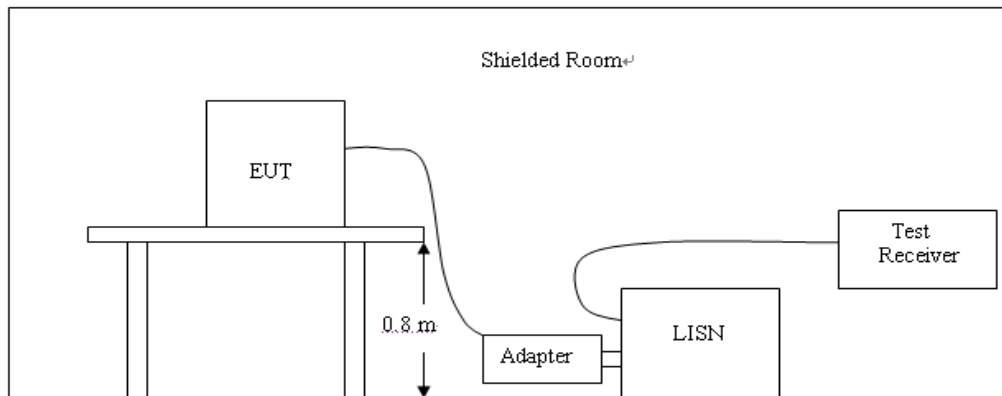
LIMIT

FCC CFR Title 47 Part 15 Subpart C Section 15.207

| Frequency range (MHz) | Limit (dBuV) | |
|-----------------------|--------------|-----------|
| | Quasi-peak | Average |
| 0.15-0.5 | 66 to 56* | 56 to 46* |
| 0.5-5 | 56 | 46 |
| 5-30 | 60 | 50 |

* Decreases with the logarithm of the frequency.

TEST CONFIGURATION



TEST PROCEDURE

1. The equipment was set up as per the test configuration to simulate typical actual usage per the user's manual. The EUT is a Smart Watchop system; a wooden table with a height of 0.8 meters is used and is placed on the ground plane as per ANSI C63.10:2013.
2. Support equipment, if needed, was placed as per ANSI C63.10:2013.
3. All I/O cables were positioned to simulate typical actual usage as per ANSI C63.10:2013.
4. The adapter received AC120V/60Hz power through a Line Impedance Stabilization Network (LISN) which supplied power source and was grounded to the ground plane.
5. All support equipments received AC power from a second LISN, if any.
6. The EUT test program was started. Emissions were measured on each current carrying line of the EUT using a spectrum Analyzer / Receiver connected to the LISN powering the EUT. The LISN has two monitoring points: Line 1 (Hot Side) and Line 2 (Neutral Side). Two scans were taken: one with Line 1 connected to Analyzer / Receiver and Line 2 connected to a 50 ohm load; the second scan had Line 1 connected to a 50 ohm load and Line 2 connected to the Analyzer / Receiver.
7. Analyzer / Receiver scanned from 150 KHz to 30MHz for emissions in each of the test modes.
8. During the above scans, the emissions were maximized by cable manipulation.

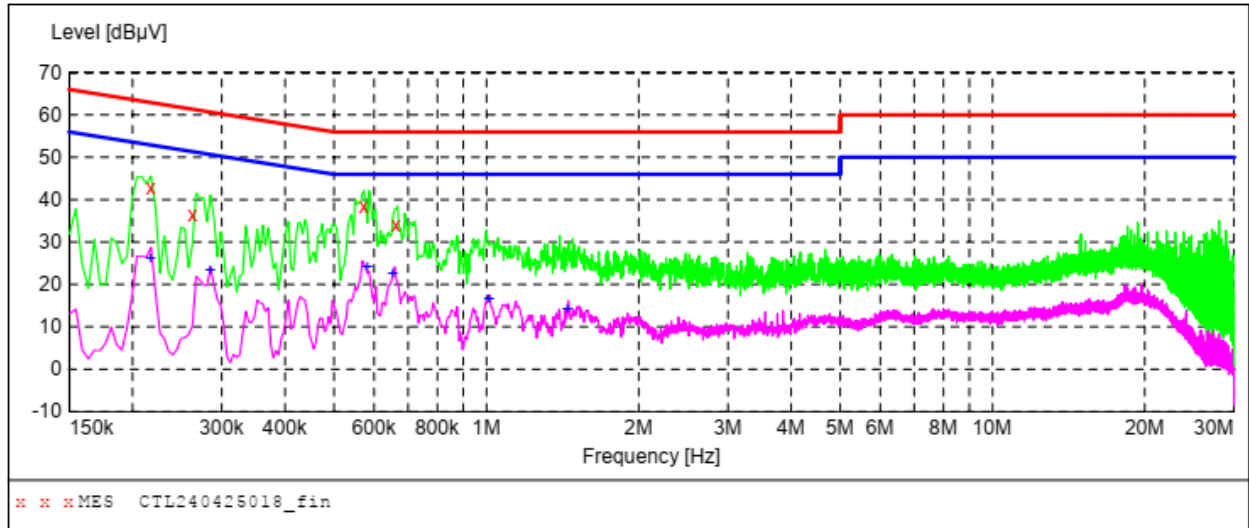
TEST RESULTS

Remark:

1. All low, middle and high channel were tested; only the worst result of low channel was reported as below:

| | |
|--------------|----------|
| Line: | L |
|--------------|----------|

SCAN TABLE: "Voltage (9K-30M)FIN"
 Short Description: 150K-30M Voltage



MEASUREMENT RESULT: "CTL240425018_fin"

4/25/2024 9:50AM

| Frequency MHz | Level dBµV | Transd dB | Limit dBµV | Margin dB | Detector | Line | PE |
|---------------|------------|-----------|------------|-----------|----------|------|-----|
| 0.217500 | 42.80 | 10.0 | 63 | 20.1 | QP | L1 | GND |
| 0.262500 | 36.50 | 10.0 | 61 | 24.9 | QP | L1 | GND |
| 0.573000 | 38.60 | 10.0 | 56 | 17.4 | QP | L1 | GND |
| 0.663000 | 34.10 | 10.0 | 56 | 21.9 | QP | L1 | GND |

MEASUREMENT RESULT: "CTL240425018_fin2"

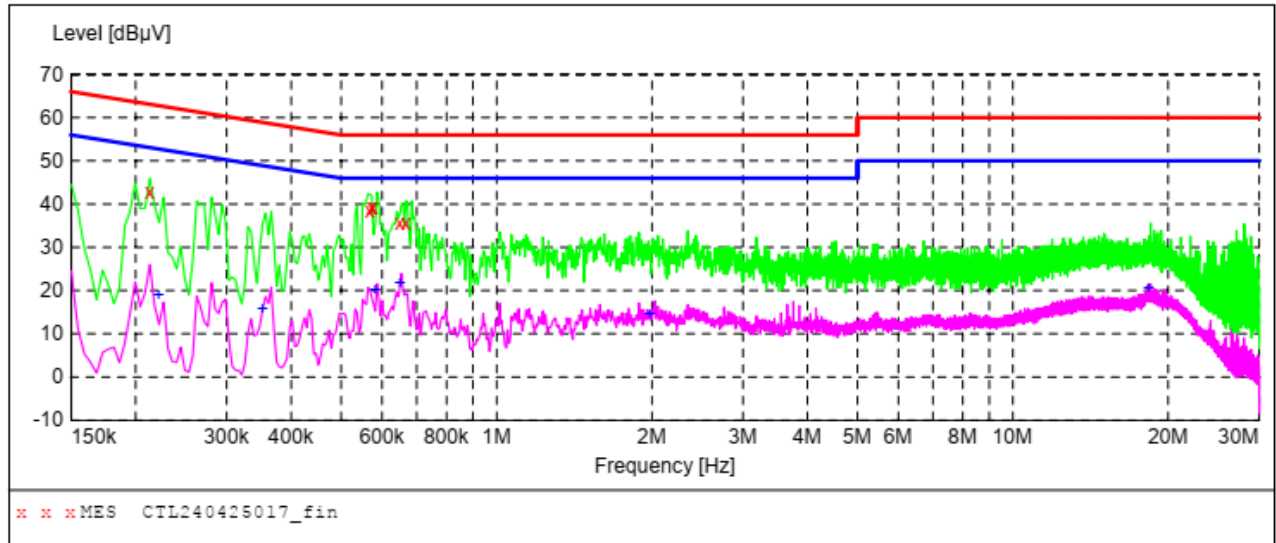
4/25/2024 9:50AM

| Frequency MHz | Level dBµV | Transd dB | Limit dBµV | Margin dB | Detector | Line | PE |
|---------------|------------|-----------|------------|-----------|----------|------|-----|
| 0.217500 | 26.10 | 10.0 | 53 | 26.8 | AV | L1 | GND |
| 0.285000 | 23.20 | 10.0 | 51 | 27.5 | AV | L1 | GND |
| 0.582000 | 24.10 | 10.0 | 46 | 21.9 | AV | L1 | GND |
| 0.654000 | 22.40 | 10.0 | 46 | 23.6 | AV | L1 | GND |
| 1.014000 | 16.70 | 10.1 | 46 | 29.3 | AV | L1 | GND |
| 1.446000 | 13.90 | 10.1 | 46 | 32.1 | AV | L1 | GND |

| | |
|-------|---|
| Line: | N |
|-------|---|

SCAN TABLE: "Voltage (9K-30M)FIN"

Short Description: 150K-30M Voltage



MEASUREMENT RESULT: "CTL240425017_fin"

4/25/2024 9:47AM

| Frequency MHz | Level dBµV | Transd dB | Limit dBµV | Margin dB | Detector | Line | PE |
|------------------|---------------|--------------|---------------|--------------|----------|------|-----|
| 0.213000 | 42.80 | 10.0 | 63 | 20.3 | QP | N | GND |
| 0.568500 | 38.40 | 10.0 | 56 | 17.6 | QP | N | GND |
| 0.573000 | 39.20 | 10.0 | 56 | 16.8 | QP | N | GND |
| 0.577500 | 39.40 | 10.0 | 56 | 16.6 | QP | N | GND |
| 0.649500 | 35.80 | 10.0 | 56 | 20.2 | QP | N | GND |
| 0.667500 | 35.60 | 10.0 | 56 | 20.4 | QP | N | GND |

MEASUREMENT RESULT: "CTL240425017_fin2"

4/25/2024 9:47AM

| Frequency MHz | Level dBµV | Transd dB | Limit dBµV | Margin dB | Detector | Line | PE |
|------------------|---------------|--------------|---------------|--------------|----------|------|-----|
| 0.222000 | 18.80 | 10.0 | 53 | 33.9 | AV | N | GND |
| 0.352500 | 15.80 | 10.0 | 49 | 33.1 | AV | N | GND |
| 0.582000 | 20.00 | 10.0 | 46 | 26.0 | AV | N | GND |
| 0.649500 | 21.60 | 10.0 | 46 | 24.4 | AV | N | GND |
| 1.981500 | 14.60 | 10.1 | 46 | 31.4 | AV | N | GND |
| 18.366000 | 20.60 | 11.2 | 50 | 29.4 | AV | N | GND |

3.2. Radiated Emissions and Band Edge

Limit

For intentional device, according to § 15.209(a), the general requirement of field strength of radiated emission out of authorized band shall not exceed the following table at a 3 meters measurement distance.

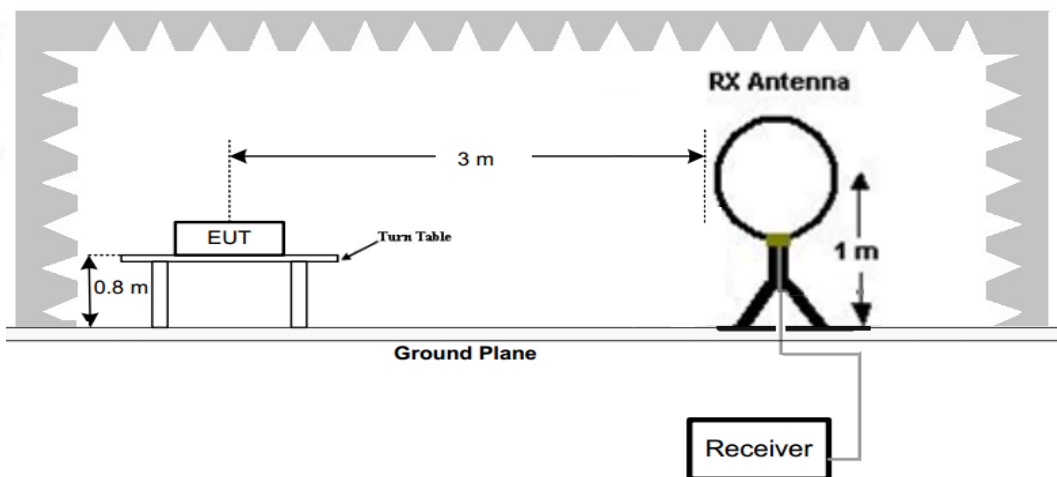
In addition, radiated emissions which fall in the restricted bands, as defined in §15.205(a), must also comply with the radiated emission limits specified in §15.209(a)

Radiated emission limits

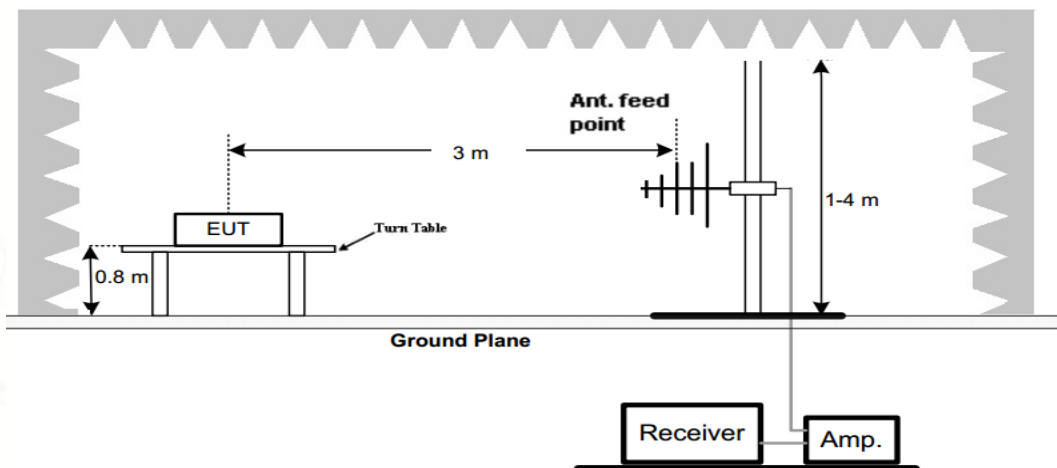
| Frequency (MHz) | Distance (Meters) | Radiated (dBµV/m) | Radiated (µV/m) |
|-----------------|-------------------|--|-----------------------|
| 0.009-0.49 | 3 | $20\log(2400/F(\text{KHz}))+40\log(300/3)$ | $2400/F(\text{KHz})$ |
| 0.49-1.705 | 3 | $20\log(24000/F(\text{KHz}))+40\log(30/3)$ | $24000/F(\text{KHz})$ |
| 1.705-30 | 3 | $20\log(30)+40\log(30/3)$ | 30 |
| 30-88 | 3 | 40.0 | 100 |
| 88-216 | 3 | 43.5 | 150 |
| 216-960 | 3 | 46.0 | 200 |
| Above 960 | 3 | 54.0 | 500 |

TEST CONFIGURATION

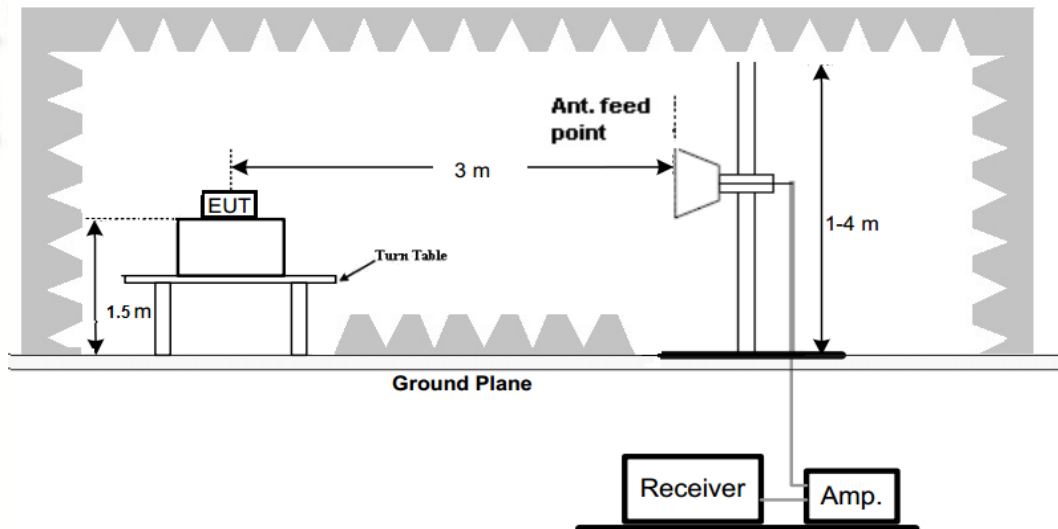
(A) Radiated Emission Test Set-Up, Frequency Below 30MHz



(B) Radiated Emission Test Set-Up, Frequency below 1000MHz



(C) Radiated Emission Test Set-Up, Frequency above 1000MHz

**Test Procedure**

1. Below 1GHz measurement the EUT is placed on a turntable which is 0.8m above ground plane, and above 1GHz measurement EUT was placed on a low permittivity and low loss tangent turn table which is 1.5m above ground plane.
2. Maximum procedure was performed by raising the receiving antenna from 1m to 4m and rotating the turn table from 0° to 360° to acquire the highest emissions from EUT
3. And also, each emission was to be maximized by changing the polarization of receiving antenna both horizontal and vertical.
4. Repeat above procedures until all frequency measurements have been completed.
5. The EUT was pretested with 3 orientations placed on the table for the radiated emission
6. measurement –X, Y, and Z-plane. The X-plane results were found as the worst case and were
7. shown in this report

TEST RESULTS

Remark:

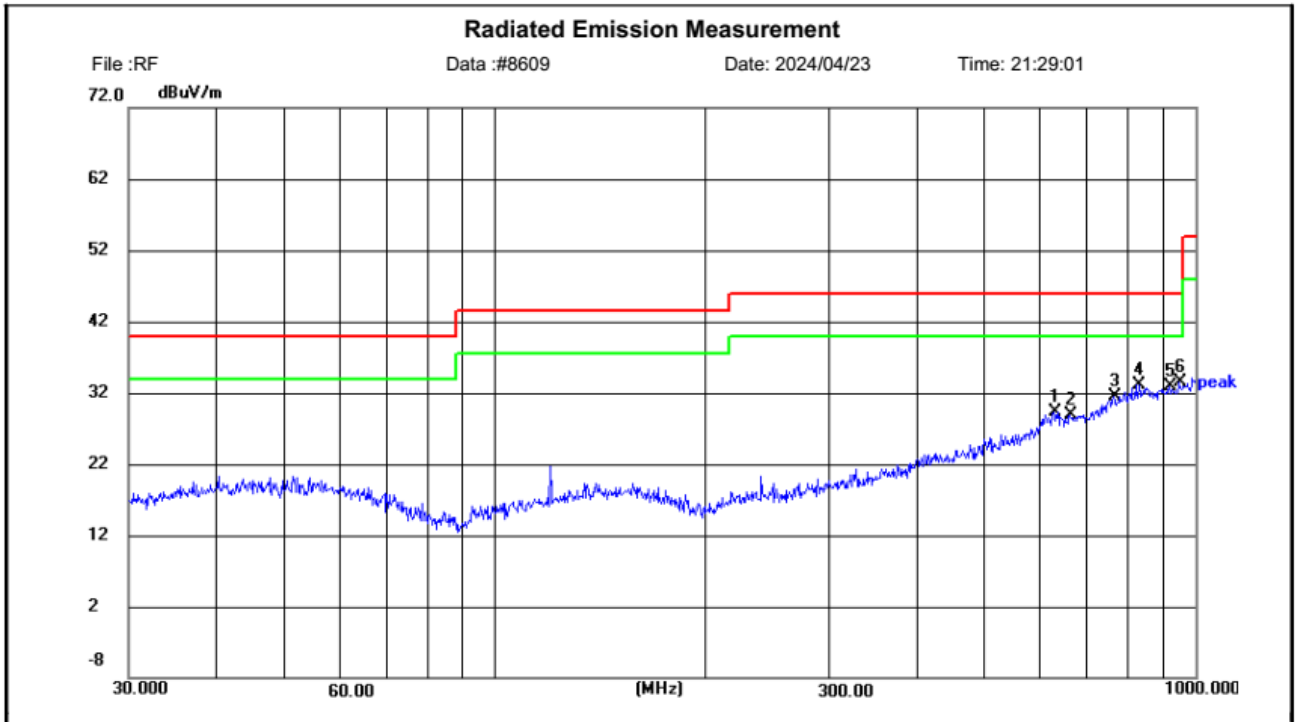
1. We have tested low channel, middle channel, high channel, only recorded worst at low channel.
2. Radiated emission test from 9 KHz to 10th harmonic of fundamental was verified, Found the emission level are attenuated 20dB below the limits from 9 kHz to 30MHz, so it does not recorded in report.

For 30MHz-1GHz

Horizontal



Shenzhen CTL Testing Technology Co., Ltd
Tel: +86-755-89486194



Site LAB Chamber 2 Polarization: **Horizontal** Temperature: 25(C)
Limit: FCC Part15 RE-Class C_30-1000MHz Power: Humidity: 50 %
EUT: / Distance: 3m
M/N: BTS206
Mode: BLE2M 2402MHz
Note: TennRich International Corp.

| No. | Frequency (MHz) | Reading (dBuV) | Factor (dB/m) | Level (dBuV/m) | Limit (dBuV/m) | Margin (dB) | Detector | Height (cm) | Azimuth (deg.) | P/F | Remark |
|-----|-----------------|----------------|---------------|----------------|----------------|-------------|----------|-------------|----------------|-----|--------|
| 1 | 627.2737 | 6.92 | 22.42 | 29.34 | 46.00 | 16.66 | peak | 100 | 236 | P | |
| 2 | 661.4403 | 6.40 | 22.59 | 28.99 | 46.00 | 17.01 | peak | 100 | 353 | P | |
| 3 | 764.7152 | 6.65 | 24.87 | 31.52 | 46.00 | 14.48 | peak | 100 | 26 | P | |
| 4 | 832.5869 | 7.17 | 25.90 | 33.07 | 46.00 | 12.93 | peak | 100 | 29 | P | |
| 5 | 916.8720 | 6.13 | 26.75 | 32.88 | 46.00 | 13.12 | peak | 100 | 14 | P | |
| 6 | 948.7609 | 6.35 | 27.11 | 33.46 | 46.00 | 12.54 | peak | 100 | 10 | P | |

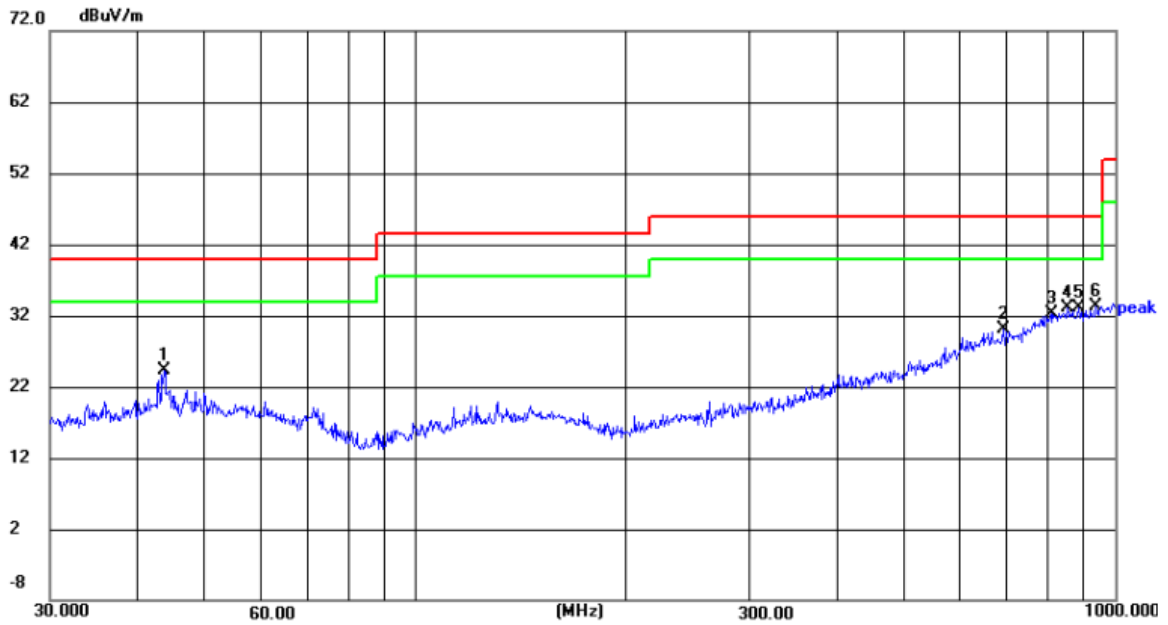
Vertical



Shenzhen CTL Testing Technology Co., Ltd
Tel: +86-755-89486194

Radiated Emission Measurement

File :RF Data :#8610 Date: 2024/04/23 Time: 21:30:13

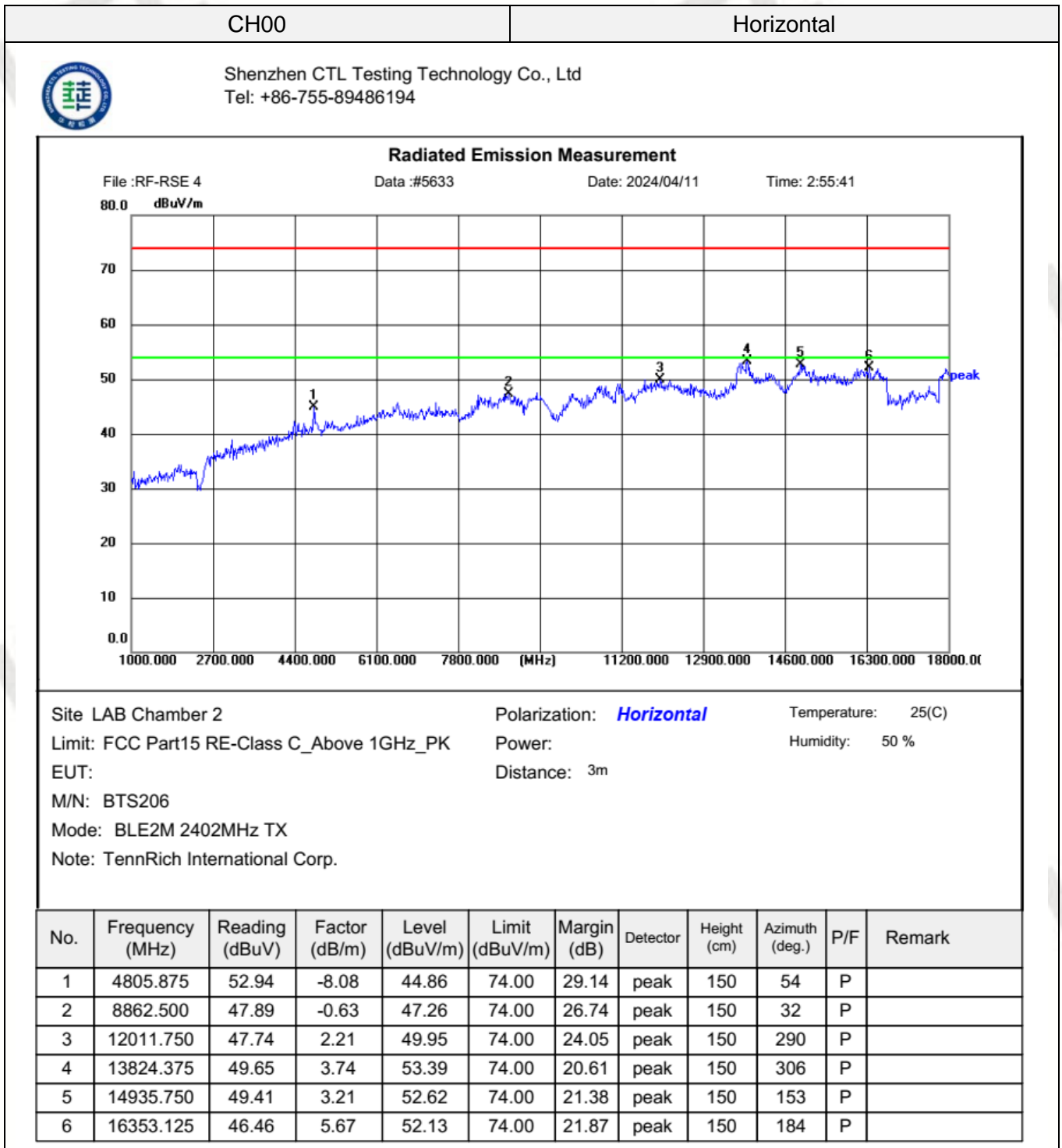


Site LAB Chamber 2 Polarization: **Vertical** Temperature: 25(C)
 Limit: FCC Part15 RE-Class C_30-1000MHz Power: Humidity: 50 %
 EUT: / Distance: 3m
 M/N: BTS206
 Mode: BLE2M 2402MHz
 Note: TennRich International Corp.

| No. | Frequency (MHz) | Reading (dBuV) | Factor (dB/m) | Level (dBuV/m) | Limit (dBuV/m) | Margin (dB) | Detector | Height (cm) | Azimuth (deg.) | P/F | Remark |
|-----|-----------------|----------------|---------------|----------------|----------------|-------------|----------|-------------|----------------|-----|--------|
| 1 | 43.7735 | 10.00 | 14.40 | 24.40 | 40.00 | 15.60 | peak | 100 | 8 | P | |
| 2 | 693.8089 | 7.38 | 22.75 | 30.13 | 46.00 | 15.87 | peak | 100 | 227 | P | |
| 3 | 811.6872 | 6.40 | 25.89 | 32.29 | 46.00 | 13.71 | peak | 100 | 343 | P | |
| 4 | 856.2737 | 6.81 | 26.34 | 33.15 | 46.00 | 12.85 | peak | 100 | 89 | P | |
| 5 | 888.7778 | 6.86 | 26.25 | 33.11 | 46.00 | 12.89 | peak | 100 | 331 | P | |
| 6 | 941.7176 | 6.25 | 27.10 | 33.35 | 46.00 | 12.65 | peak | 100 | 112 | P | |

For 1GHz to 18GHz

BLE Mode (above 1GHz)



CH00

Vertical



Shenzhen CTL Testing Technology Co., Ltd
Tel: +86-755-89486194

Radiated Emission Measurement

File :RF-RSE 4

Data :#5634

Date: 2024/04/11

Time: 2:56:42

80.0 dBuV/m



Site LAB Chamber 2

Polarization: **Vertical**

Temperature: 25(C)

Limit: FCC Part15 RE-Class C_Above 1GHz_PK

Power:

Humidity: 50 %

EUT:

Distance: 3m

M/N: BTS206

Mode: BLE2M 2402MHz TX

Note: TennRich International Corp.

| No. | Frequency (MHz) | Reading (dBuV) | Factor (dB/m) | Level (dBuV/m) | Limit (dBuV/m) | Margin (dB) | Detector | Height (cm) | Azimuth (deg.) | P/F | Remark |
|-----|-----------------|----------------|---------------|----------------|----------------|-------------|----------|-------------|----------------|-----|--------|
| 1 | 4810.125 | 51.07 | -8.08 | 42.99 | 74.00 | 31.01 | peak | 150 | 329 | P | |
| 2 | 8416.250 | 48.63 | -1.97 | 46.66 | 74.00 | 27.34 | peak | 150 | 252 | P | |
| 3 | 11744.000 | 48.48 | 1.50 | 49.98 | 74.00 | 24.02 | peak | 150 | 252 | P | |
| 4 | 13722.375 | 49.47 | 3.87 | 53.34 | 74.00 | 20.66 | peak | 150 | 0 | P | |
| 5 | 16168.250 | 47.15 | 5.15 | 52.30 | 74.00 | 21.70 | peak | 150 | 268 | P | |
| 6 | 16801.500 | 45.24 | 6.57 | 51.81 | 74.00 | 22.19 | peak | 150 | 70 | P | |

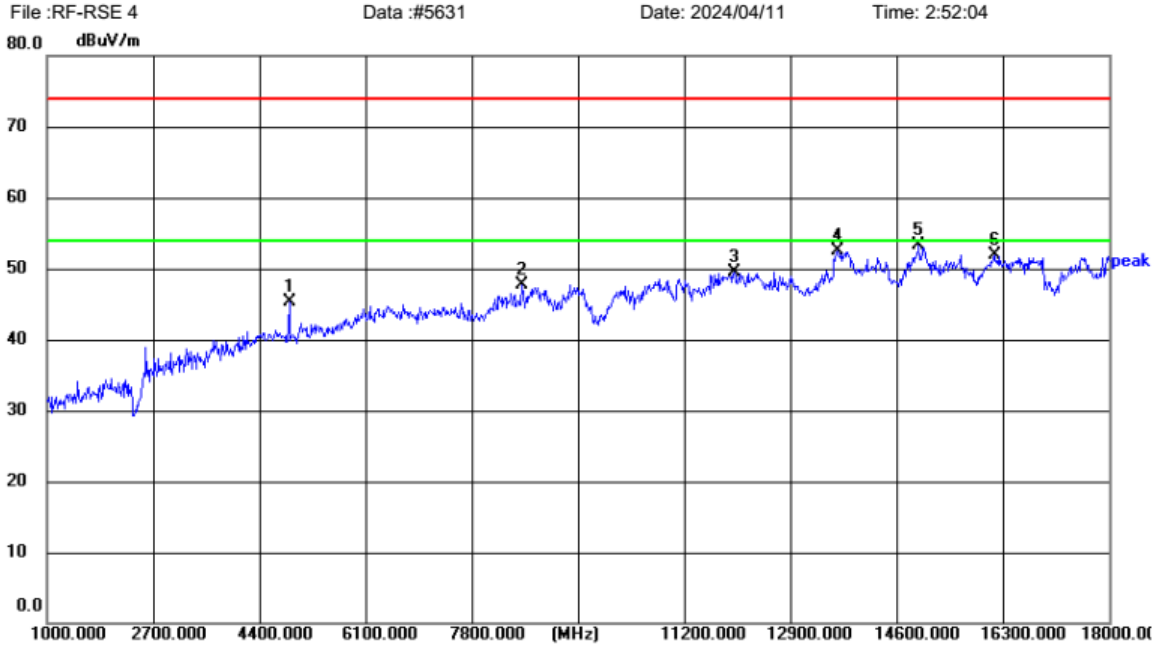
CH39

Horizontal



Shenzhen CTL Testing Technology Co., Ltd
Tel: +86-755-89486194

Radiated Emission Measurement



Site LAB Chamber 2 Polarization: **Horizontal** Temperature: 25(C)
 Limit: FCC Part15 RE-Class C_Above 1GHz_PK Power: Humidity: 50 %
 EUT: Distance: 3m
 M/N: BTS206
 Mode: BLE2M 2440MHz TX
 Note: TennRich International Corp.

| No. | Frequency (MHz) | Reading (dBuV) | Factor (dB/m) | Level (dBuV/m) | Limit (dBuV/m) | Margin (dB) | Detector | Height (cm) | Azimuth (deg.) | P/F | Remark |
|-----|-----------------|----------------|---------------|----------------|----------------|-------------|----------|-------------|----------------|-----|--------|
| 1 | 4880.250 | 53.20 | -7.96 | 45.24 | 74.00 | 28.76 | peak | 150 | 176 | P | |
| 2 | 8609.625 | 49.31 | -1.55 | 47.76 | 74.00 | 26.24 | peak | 150 | 298 | P | |
| 3 | 12009.625 | 47.21 | 2.20 | 49.41 | 74.00 | 24.59 | peak | 150 | 335 | P | |
| 4 | 13671.375 | 48.63 | 3.91 | 52.54 | 74.00 | 21.46 | peak | 150 | 335 | P | |
| 5 | 14957.000 | 50.14 | 3.26 | 53.40 | 74.00 | 20.60 | peak | 150 | 77 | P | |
| 6 | 16170.375 | 46.65 | 5.16 | 51.81 | 74.00 | 22.19 | peak | 150 | 320 | P | |

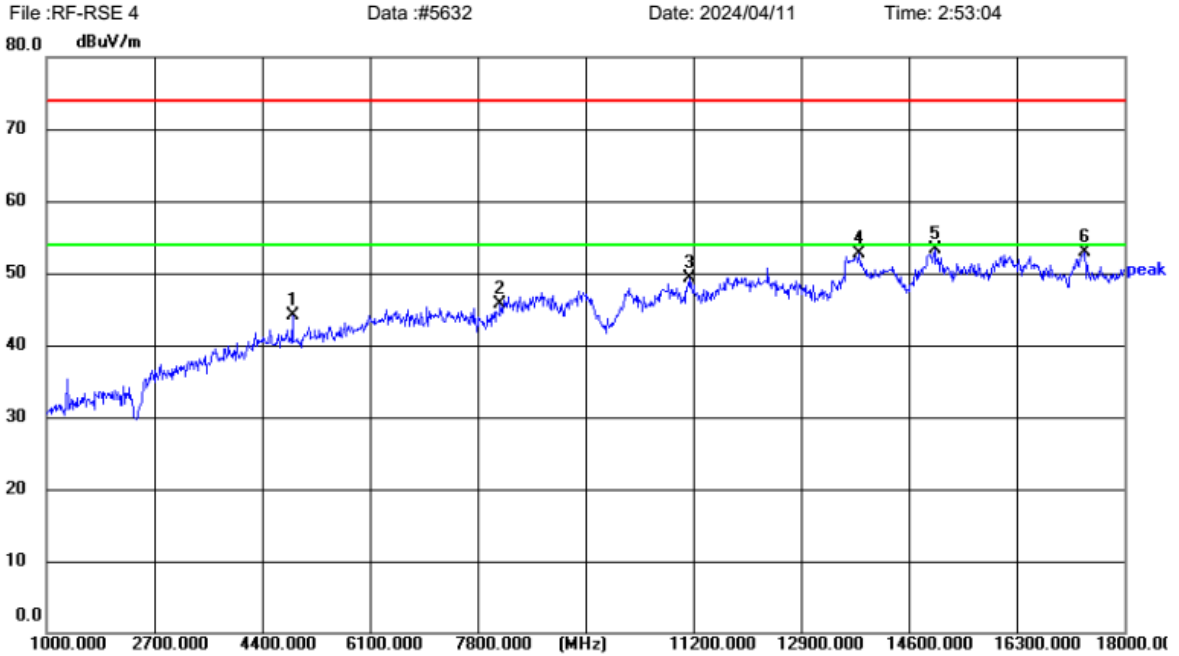
CH39

Vertical



Shenzhen CTL Testing Technology Co., Ltd
Tel: +86-755-89486194

Radiated Emission Measurement



Site LAB Chamber 2 Polarization: **Vertical** Temperature: 25(C)
 Limit: FCC Part15 RE-Class C_Above 1GHz_PK Power: Humidity: 50 %
 EUT: Distance: 3m
 M/N: BTS206
 Mode: BLE2M 2440MHz TX
 Note: TennRich International Corp.

| No. | Frequency (MHz) | Reading (dBuV) | Factor (dB/m) | Level (dBuV/m) | Limit (dBuV/m) | Margin (dB) | Detector | Height (cm) | Azimuth (deg.) | P/F | Remark |
|-----|-----------------|----------------|---------------|----------------|----------------|-------------|----------|-------------|----------------|-----|--------|
| 1 | 4880.250 | 52.13 | -7.96 | 44.17 | 74.00 | 29.83 | peak | 150 | 18 | P | |
| 2 | 8165.500 | 48.19 | -2.54 | 45.65 | 74.00 | 28.35 | peak | 150 | 48 | P | |
| 3 | 11161.750 | 48.53 | 0.81 | 49.34 | 74.00 | 24.66 | peak | 150 | 283 | P | |
| 4 | 13828.625 | 48.92 | 3.75 | 52.67 | 74.00 | 21.33 | peak | 150 | 283 | P | |
| 5 | 15014.375 | 49.90 | 3.36 | 53.26 | 74.00 | 20.74 | peak | 150 | 25 | P | |
| 6 | 17375.250 | 44.20 | 8.62 | 52.82 | 74.00 | 21.18 | peak | 150 | 260 | P | |

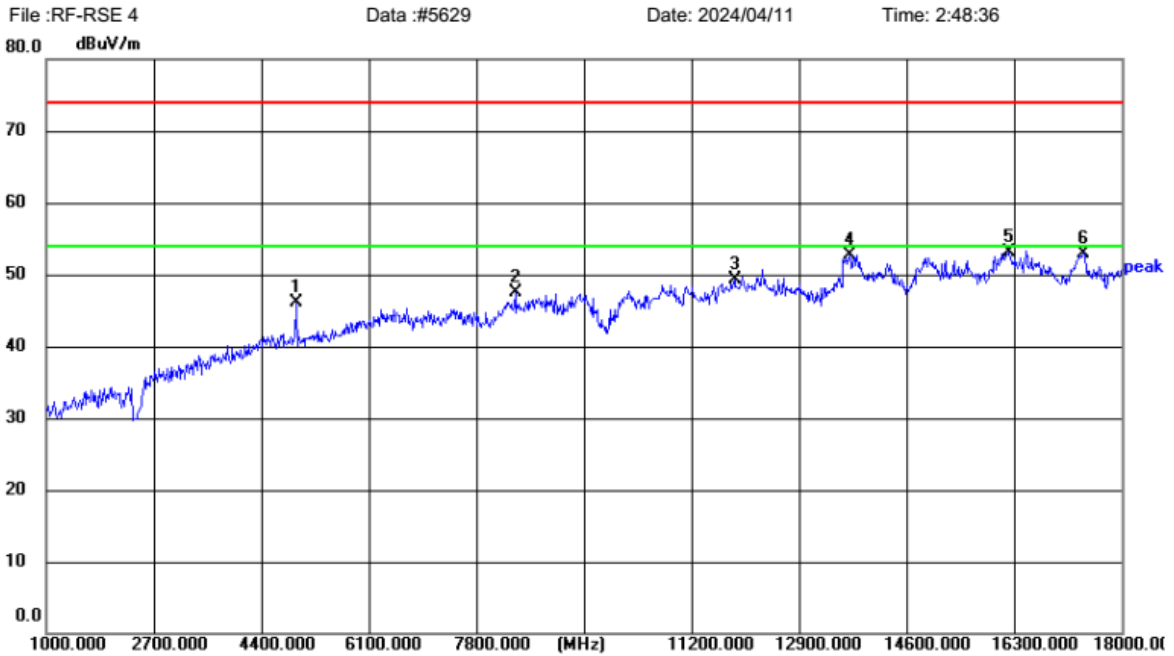
CH78

Horizontal



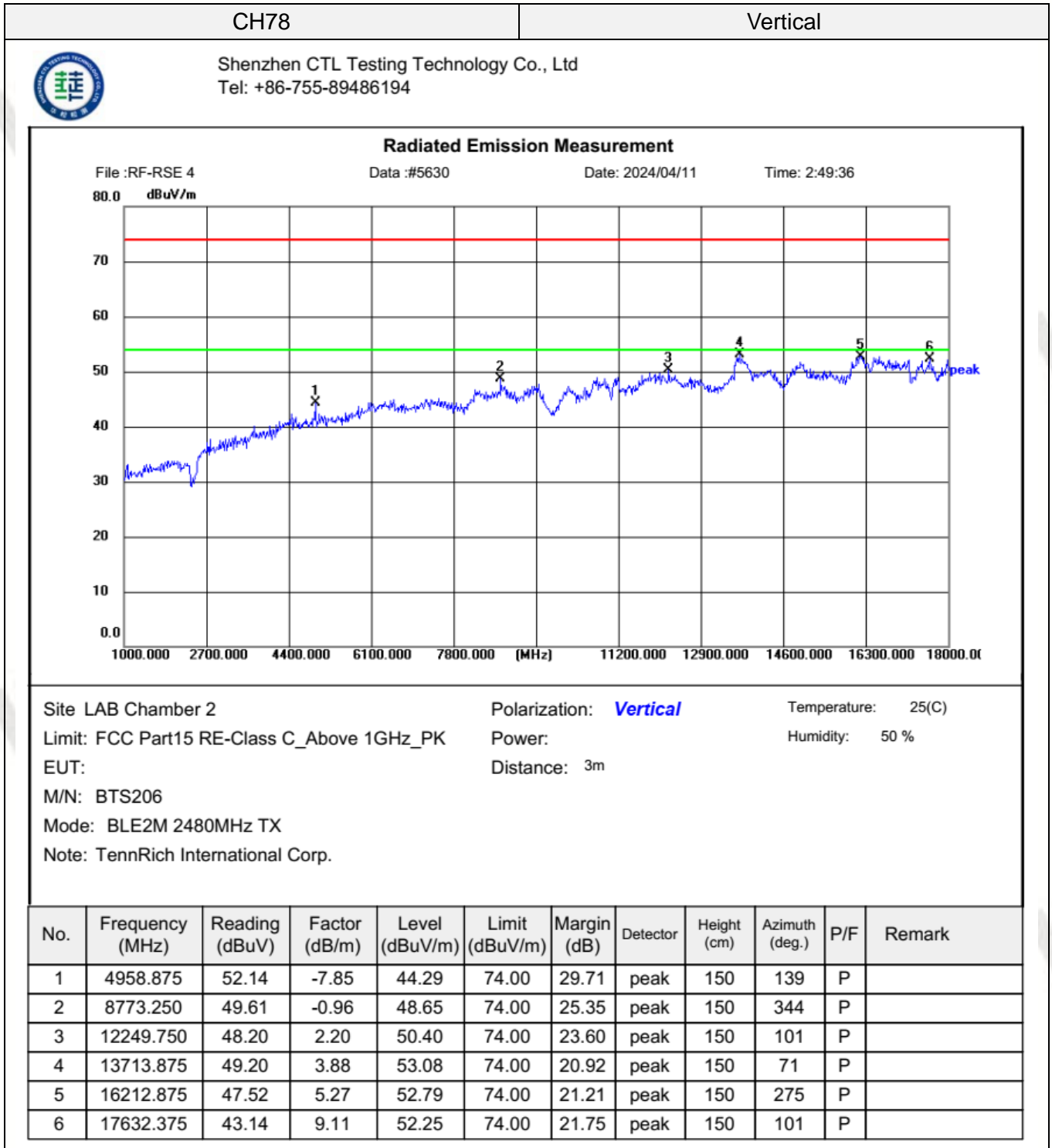
Shenzhen CTL Testing Technology Co., Ltd
Tel: +86-755-89486194

Radiated Emission Measurement



Site LAB Chamber 2 Polarization: **Horizontal** Temperature: 25(C)
 Limit: FCC Part15 RE-Class C_Above 1GHz_PK Power: Humidity: 50 %
 EUT: Distance: 3m
 M/N: BTS206
 Mode: BLE2M 2480MHz TX
 Note: TennRich International Corp.

| No. | Frequency (MHz) | Reading (dBuV) | Factor (dB/m) | Level (dBuV/m) | Limit (dBuV/m) | Margin (dB) | Detector | Height (cm) | Azimuth (deg.) | P/F | Remark |
|-----|-----------------|----------------|---------------|----------------|----------------|-------------|----------|-------------|----------------|-----|--------|
| 1 | 4958.875 | 54.02 | -7.85 | 46.17 | 74.00 | 27.83 | peak | 150 | 24 | P | |
| 2 | 8420.500 | 49.49 | -1.95 | 47.54 | 74.00 | 26.46 | peak | 150 | 145 | P | |
| 3 | 11888.500 | 47.36 | 1.85 | 49.21 | 74.00 | 24.79 | peak | 150 | 168 | P | |
| 4 | 13701.125 | 48.78 | 3.90 | 52.68 | 74.00 | 21.32 | peak | 150 | 266 | P | |
| 5 | 16215.000 | 47.75 | 5.28 | 53.03 | 74.00 | 20.97 | peak | 150 | 327 | P | |
| 6 | 17402.875 | 44.10 | 8.77 | 52.87 | 74.00 | 21.13 | peak | 150 | 69 | P | |



REMARKS:

1. Emission level (dBuV/m) =Raw Value (dBuV)+Correction Factor (dB/m)
2. Correction Factor (dB/m) = Antenna Factor (dB/m)+Cable Factor (dB)-Pre-amplifier Factor
3. Margin value = Limit value- Emission level.
4. -- Mean the PK detector measured value is below average limit.
5. RBW1MHz VBW3MHz Peak detector is for PK value; RBW 1MHz VBW10Hz Peak detector is for AV value.
6. Other emissions are attenuated 20dB below the limits from 9kHz to 30MHz, so it does not recorded in report.
7. 18GHz-26GHz not recorded for no spurious point have a margin of less than 6 dB with respect to the limits.

Results of Band Edges Test (Radiated)

| Frequency(MHz): | | | 2402 | | Polarity: | | | HORIZONTAL | |
|-----------------|-------------------------|----|----------------|-------------|------------------|-----------------------|-------------------|--------------------|--------------------------|
| Frequency (MHz) | Emission Level (dBuV/m) | | Limit (dBuV/m) | Margin (dB) | Raw Value (dBuV) | Antenna Factor (dB/m) | Cable Factor (dB) | Pre-amplifier (dB) | Correction Factor (dB/m) |
| 2402.00 | 92.75 | PK | -- | -- | 59.36 | 28.78 | 4.61 | 0.00 | 33.39 |
| 2402.00 | 85.14 | AV | -- | -- | 51.75 | 28.78 | 4.61 | 0.00 | 33.39 |
| 2352.00 | 44.72 | PK | 74.00 | 29.28 | 11.64 | 28.52 | 4.56 | 0.00 | 33.08 |
| 2352.00 | -- | AV | 54.00 | -- | -- | -- | -- | -- | -- |
| 2390.00 | 44.36 | PK | 74.00 | 29.64 | 11.04 | 28.72 | 4.60 | 0.00 | 33.32 |
| 2390.00 | -- | AV | 54.00 | -- | -- | -- | -- | -- | -- |
| 2400.00 | 46.43 | PK | -- | -- | 13.04 | 28.78 | 4.61 | 0.00 | 33.39 |
| 2400.00 | -- | AV | -- | -- | -- | -- | -- | -- | -- |

| Frequency(MHz): | | | 2402 | | Polarity: | | | VERTICAL | |
|-----------------|-------------------------|----|----------------|-------------|------------------|-----------------------|-------------------|--------------------|--------------------------|
| Frequency (MHz) | Emission Level (dBuV/m) | | Limit (dBuV/m) | Margin (dB) | Raw Value (dBuV) | Antenna Factor (dB/m) | Cable Factor (dB) | Pre-amplifier (dB) | Correction Factor (dB/m) |
| 2402.00 | 94.25 | PK | -- | -- | 60.86 | 28.78 | 4.61 | 0.00 | 33.39 |
| 2402.00 | 85.12 | AV | -- | -- | 51.73 | 28.78 | 4.61 | 0.00 | 33.39 |
| 2364.00 | 42.54 | PK | 74.00 | 31.46 | 9.46 | 28.52 | 4.56 | 0.00 | 33.08 |
| 2364.00 | -- | AV | 54.00 | -- | -- | -- | -- | -- | -- |
| 2390.00 | 44.63 | PK | 74.00 | 29.37 | 11.31 | 28.72 | 4.60 | 0.00 | 33.32 |
| 2390.00 | -- | AV | 54.00 | -- | -- | -- | -- | -- | -- |
| 2400.00 | 45.12 | PK | -- | -- | 11.73 | 28.78 | 4.61 | 0.00 | 33.39 |
| 2400.00 | -- | AV | -- | -- | -- | -- | -- | -- | -- |

| Frequency(MHz): | | | 2480 | | Polarity: | | | HORIZONTAL | |
|-----------------|-------------------------|----|----------------|-------------|------------------|-----------------------|-------------------|--------------------|--------------------------|
| Frequency (MHz) | Emission Level (dBuV/m) | | Limit (dBuV/m) | Margin (dB) | Raw Value (dBuV) | Antenna Factor (dB/m) | Cable Factor (dB) | Pre-amplifier (dB) | Correction Factor (dB/m) |
| 2480.00 | 94.53 | PK | -- | -- | 60.91 | 28.92 | 4.70 | 0.00 | 33.62 |
| 2480.00 | 85.36 | AV | -- | -- | 51.74 | 28.92 | 4.70 | 0.00 | 33.62 |
| 2483.50 | 47.13 | PK | 74.00 | 26.87 | 13.5 | 28.93 | 4.70 | 0.00 | 33.63 |
| 2483.50 | -- | AV | 54.00 | -- | -- | -- | -- | -- | -- |
| 2488.00 | 44.74 | PK | 74.00 | 29.26 | 11.08 | 28.95 | 4.71 | 0.00 | 33.66 |
| 2488.00 | -- | AV | 54.00 | -- | -- | -- | -- | -- | -- |
| 2500.00 | 43.82 | PK | 74.00 | 30.18 | 10.14 | 28.96 | 4.72 | 0.00 | 33.68 |
| 2500.00 | -- | AV | 54.00 | -- | -- | -- | -- | -- | -- |

| Frequency(MHz): | | | 2480 | | Polarity: | | | VERTICAL | |
|-----------------|-------------------------|----|----------------|-------------|------------------|-----------------------|-------------------|--------------------|--------------------------|
| Frequency (MHz) | Emission Level (dBuV/m) | | Limit (dBuV/m) | Margin (dB) | Raw Value (dBuV) | Antenna Factor (dB/m) | Cable Factor (dB) | Pre-amplifier (dB) | Correction Factor (dB/m) |
| 2480.00 | 92.62 | PK | -- | -- | 59 | 28.92 | 4.70 | 0.00 | 33.62 |
| 2480.00 | 86.43 | AV | -- | -- | 52.81 | 28.92 | 4.70 | 0.00 | 33.62 |
| 2483.50 | 45.12 | PK | 74.00 | 28.88 | 11.49 | 28.93 | 4.70 | 0.00 | 33.63 |
| 2483.50 | -- | AV | 54.00 | -- | -- | -- | -- | -- | -- |
| 2490.00 | 44.65 | PK | 74.00 | 29.35 | 10.99 | 28.95 | 4.71 | 0.00 | 33.66 |
| 2490.00 | -- | AV | 54.00 | -- | -- | -- | -- | -- | -- |
| 2500.00 | 42.36 | PK | 74.00 | 31.64 | 8.68 | 28.96 | 4.72 | 0.00 | 33.68 |
| 2500.00 | -- | AV | 54.00 | -- | -- | -- | -- | -- | -- |

REMARKS:

1. Emission level (dBuV/m) =Raw Value (dBuV)+Correction Factor (dB/m)
2. Correction Factor (dB/m) = Antenna Factor (dB/m)+Cable Factor (dB)-Pre-amplifier Factor
3. Margin value = Limit value- Emission level.
4. -- Mean the PK detector measured value is below average limit.
5. RBW1MHz VBW3MHz Peak detector is for PK value; RBW 1MHz VBW10Hz Peak detector is for AV value.
6. For fundamental frequency, RBW 3MHz VBW 3MHz Peak detector is for PK Value; RMS detector is for AV value.
7. Other emissions are attenuated 20dB below the limits from 9kHz to 30MHz, so it does not recorded in report.

3.3. Maximum Conducted Output Power

Limit

The Maximum Peak Output Power Measurement is 30dBm.

Test Procedure

Remove the antenna from the EUT and then connect a low loss RF cable from the antenna port to the spectrum.

Test Configuration



Test Results

Raw data reference to Appendix Test Data for Bluetooth LE Section 2.

3.4. Power Spectral Density

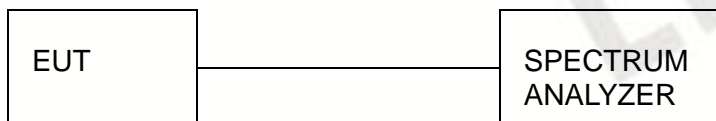
Limit

For digitally modulated systems, the power spectral density conducted from the intentional radiator to the antenna shall not be greater than 8 dBm in any 3 kHz band during any time interval of continuous transmission.

Test Procedure

1. Use this procedure when the maximum peak conducted output power in the fundamental emission is used to demonstrate compliance.
2. Set the RBW \geq 3 kHz.
3. Set the VBW \geq 3 \times RBW.
4. Set the span to 1.5 times the DTS channel bandwidth.
5. Detector = peak.
6. Sweep time = auto couple.
7. Trace mode = max hold.
8. Allow trace to fully stabilize.
9. Use the peak marker function to determine the maximum power level.
10. If measured value exceeds limit, reduce RBW (no less than 3 kHz) and repeat.
11. The resulting peak PSD level must be 8dBm.

Test Configuration



Test Results

Raw data reference to Appendix Test Data for Bluetooth LE Section 3.

3.5. 6dB Bandwidth

Limit

For digital modulation systems, the minimum 6 dB bandwidth shall be at least 500 kHz

Test Procedure

The transmitter output was connected to the spectrum analyzer through an attenuator. The bandwidth of the fundamental frequency was measured by spectrum analyzer with 100 KHz RBW and 300 KHz VBW. The 6dB bandwidth is defined as the total spectrum the power of which is higher than peak power minus 6dB.

Test Configuration



Test Results

Raw data reference to Appendix Test Data for Bluetooth LE Section 1.

3.6. Out-of-band Emissions

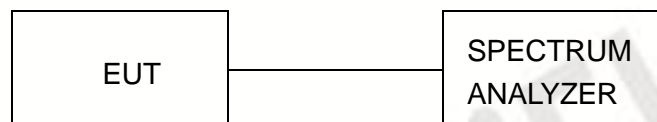
Limit

In any 100 kHz bandwidth outside the frequency band in which the spread spectrum or digitally modulated intentional radiator is operating, the radio frequency power that is produced by the intentional radiator shall be at least 20 dB below that in the 100 kHz bandwidth within the band that contains the highest level of the desired power, based on either an RF conducted or a radiated measurement, provided the transmitter demonstrates compliance with the peak conducted power limits. If the transmitter complies with the conducted power limits based on the use of RMS averaging over a time interval, as permitted under paragraph (b)(3) of this section, the attenuation required under this paragraph shall be 30 dB instead of 20 dB. Attenuation below the general limits specified in §15.209(a) is not required.

Test Procedure

Connect the transmitter output to spectrum analyzer using a low loss RF cable, and set the spectrum analyzer to RBW=100 kHz, VBW= 300 kHz, peak detector, and max hold. Measurements utilizing these settings are made of the in-band reference level, band edge and out-of-band emissions.

Test Configuration



Test Results

Raw data reference to Appendix Test Data for Bluetooth LE Section 4.

3.7. Antenna Requirement

Standard Applicable

For intentional device, according to FCC 47 CFR Section 15.203:

An intentional radiator shall be designed to ensure that no antenna other than that furnished by the responsible party shall be used with the device. The use of a permanently attached antenna or of an antenna that uses a unique coupling to the intentional radiator, the manufacturer may design the unit so that a broken antenna can be replaced by the user, but the use of a standard antenna jack or electrical connector is prohibited

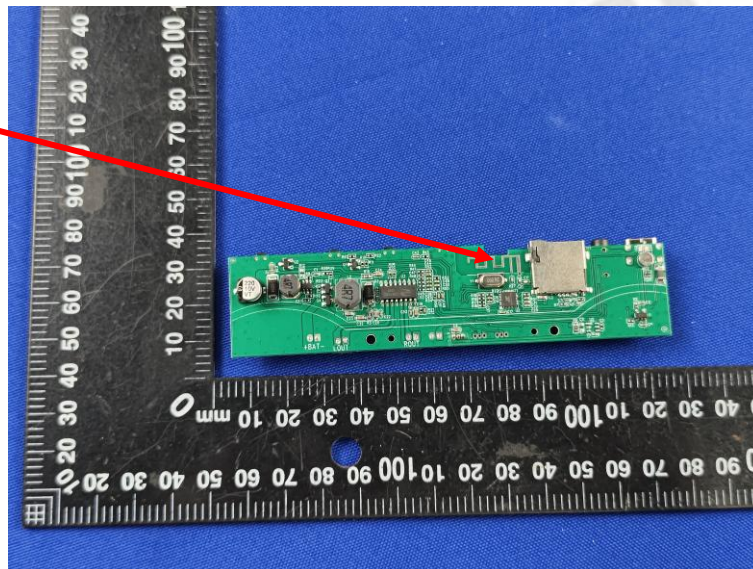
FCC CFR Title 47 Part 15 Subpart C Section 15.247(c) (1) (I):

(i) Systems operating in the 2400-2483.5 MHz band that is used exclusively for fixed. Point-to-point operations may employ transmitting antennas with directional gain greater than 6dBi provided the maximum conducted output power of the intentional radiator is reduced by 1 dB for every 3 dB that the directional gain of the antenna exceeds 6dBi.

Test Result:

The maximum gain of antenna was -0.58dBi

BT Antenna



4. Test Setup Photos of the EUT

Reference to the test report No. CTL2403012071-WF01

5. External and Internal Photos of the EUT

Reference to the test report No. CTL2403012071-WF01.

***** End of Report *****