

EN
Specification :
 Model: BTS-204
 Cell Type : Lithium Ion
 Battery Capacity : 2400mAh/8.8Wh
 Rated Output : 5W/2A (Max.)
 Series : 5V/2A (Max.)
 Bluetooth Version : 5.0
 Support : Handsfree, FM, Micro SD Card, USB, AUX, Microphone Karaoke
 Speaker : 4G 10W x 2 Ø78mm
 Transmission distance : 10M
 Frequency response : 30Hz-20KHz
 Dimensions : 248(L)90(W)108(H)mm
 Weight : 1475g±5g

ES
Especificaciones :
 Modelo : BTS-204
 Célula de batería : Litium Ion
 Capacidad : 2400mAh/8.8Wh
 Potencia de Salida : 5W/2A (Máx.)
 Serie : 5V/2A (Máx.)
 Bluetooth Versión : 5.0
 Asistencia : Manos Libres, FM, Micro SD Card, USB, AUX, Microfono Karaoke
 Altoparlante : 4G 10W x 2 Ø78mm
 Distancia de transmisión : 10M
 Respuesta de frecuencia : 30Hz-20KHz
 Dimensiones : 248(L)90(W)108(H)mm
 Peso : 1475g±5g

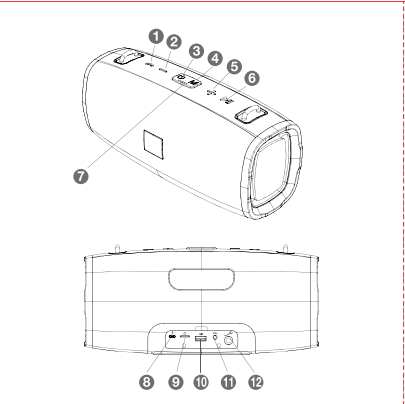
FR
Specifications :
 Model: BTS-204
 Type de batterie : Lithium Ion
 Capacité : 2400mAh/8.8Wh
 Entrée : 5V/2A (Max.)
 Série : 5V/2A (Max.)
 Bluetooth Version : 5.0
 Prise en charge : Manos Libres, FM, Micro SD Card, USB, AUX, Microphone Karaoke
 Haut-parleur : 4G 10W x 2 Ø78mm
 Distance de transmission : 10M
 Réponse de fréquence : 30Hz-20KHz
 Dimensions : 248(L)90(W)108(H)mm
 Poids : 1475g±5g

IT
Specifiche tecniche :
 Modello : BTS-204
 Cella di batteria : Litium Ion
 Capacità : 2400mAh/8.8Wh
 Ingresso Nominale : 5V/2A (Máx.)
 Potenza Nominale : 5W/2A (Máx.)
 Bluetooth Versione : 5.0
 Supporto : Mani Libere, FM, Micro SD Card, USB, AUX, Microfono Karaoke
 Altoparlante : 4G 10W x 2 Ø78mm
 Distanza di trasmissione : 10M
 Frequenza di risposta : 30Hz-20KHz
 Dimensioni : 248(L)90(W)108(H)mm
 Peso : 1475g±5g

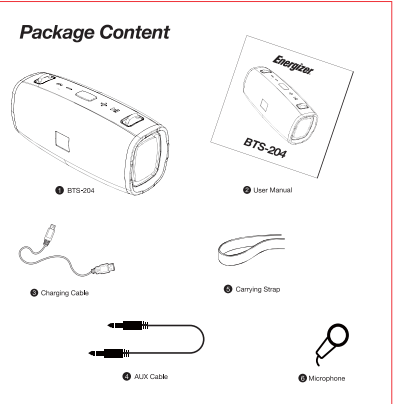
TECHNISCHE DATEN :
 Modell : BTS-204
 Batterie : Lithium Ion
 Leadt Kapazität : 2400mAh/8.8Wh
 Eingangsanschl. : 5V/2A (Max.)
 Ausgangsleistung : 5W/2A (Max.)
 Bluetooth Version : 5.0
 Unterstützung : Hände frei, FM, Micro SD Card, USB, AUX, Mikrofon/Karaoke
 Lautsprecher : 4G 10W x 2 Ø78mm
 Übertragungsreichweite : 10M
 Frequenzbereich : 30Hz-20KHz
 Abmessungen : 248(L)90(W)108(H)mm
 Gewicht : 1475g±5g

FR
Specifications :
 Model: BTS-204
 Type de batterie : Lithium Ion
 Capacité : 2400mAh/8.8Wh
 Entrée : 5V/2A (Max.)
 Série : 5V/2A (Max.)
 Bluetooth Version : 5.0
 Prise en charge : Manos Libres, FM, Micro SD Card, USB, AUX, Microphone Karaoke
 Haut-parleur : 4G 10W x 2 Ø78mm
 Distance de transmission : 10M
 Réponse de fréquence : 30Hz-20KHz
 Dimensions : 248(L)90(W)108(H)mm
 Poids : 1475g±5g

IT
Specifiche tecniche :
 Modello : BTS-204
 Cella di batteria : Litium Ion
 Capacità : 2400mAh/8.8Wh
 Ingresso Nominale : 5V/2A (Máx.)
 Potenza Nominale : 5W/2A (Máx.)
 Bluetooth Versione : 5.0
 Supporto : Mani Libere, FM, Micro SD Card, USB, AUX, Microfono Karaoke
 Altoparlante : 4G 10W x 2 Ø78mm
 Distanza di trasmissione : 10M
 Frequenza di risposta : 30Hz-20KHz
 Dimensioni : 248(L)90(W)108(H)mm
 Peso : 1475g±5g



1. Answer/ Reject Incoming Call Button
2. Volume Down/ Previous Button
3. Power Button
4. Mode Button
5. Volume Up/ Next Button
6. Play/ Pause Button
7. LED Battery Indicator
8. Recharge Port
9. Micro SD Card Slot
10. USB-A Output
11. AUX
12. Microphone in



How to USE ?

1. Power button: Long press the power button to turn on/off the speaker. Double-click the power button to turn on bluetooth pairing mode.
2. Bluetooth: Turn on the speaker to enter bluetooth pairing mode, enable bluetooth connection on your device, search and connect to "Energizer_BTS-204"
3. Mode button: Press the mode button to switch to bluetooth, FM, micro SD card, AUX, or USB play mode.
4. Pause and play: Press power/play button on the device to play or pause the music.
5. Volume control: Long press the volume up button to increase in volume, long press the volume down button to reduce in volume.
6. Play next/ previous song: Press the "+" button to play the next song, Press the "-" button to play previous song.
7. Audio input: Connect a standard 3.5mm audio cable to the AUX port, the speaker will automatically switch to AUX mode, or use the mode button.
8. Micro SD card slot: Insert micro SD card to the slot, the speaker will automatically switch to SD card mode, or use the mode button, The speaker supports MP3, AAC, WAV, FLAC, APE, WMA, and other formats.

9. USB play mode: Insert USB flash drive to the USB Port, the speaker will automatically switch to USB Play mode, or use the mode button.
10. Microphone: Connect the microphone to the speaker, turn on the power switch to start using the mic.
11. Recharge port: To charge the speaker, connect the charging cable to your speaker and a power source to begin recharge.
12. USB-A charging output: Charge your device through USB-A output port.
13. LED battery Indicator: Blinking lights indicate charging, Solid lights indicate fully charged.
14. FM mode:
 - Press the play/ pause button to start automatic tuning.
 - Once tuning is done, long press the "-" button or "+" button to switch between stations.
 - Press the "-" button or "+" button to decrease or increase in volume.
15. Hands-free Mode (Telephone):
 - Answer incoming call: Press answer/ reject incoming call button
 - Reject incoming call: Press and hold answer/ reject incoming call button
 - Redial: Double press answer/ reject incoming call button

Note: The battery life of this product is based on user's activity and volume control.

FCC Statement

NOTE: This equipment has been tested and found to comply with the limits for a Class B digital device, pursuant to part 15 of the FCC Rules. These limits are designed to provide reasonable protection against harmful interference in a residential installation. This equipment generates uses and can radiate radio frequency energy and, if not installed and used in accordance with the instructions, may cause harmful interference to radio communications. However, there is no guarantee that interference will not occur in a particular installation. If this equipment does cause harmful interference to radio or television reception, which can be determined by turning the equipment off and on, the user is encouraged to try to correct the interference by one or more of the following measures:

- Reorient or relocate the receiving antenna.
- Increase the separation between the equipment and receiver.
- Connect the equipment into an outlet on a circuit different from that to which the receiver is connected.
- Consult the dealer or an experienced radio/TV technician for help

This device complies with Part 15 of the FCC Rules. Operation is subject to the following two conditions:
 (1) this device may not cause harmful interference, and (2) this device must accept any interference received, including interference that may cause undesired operation.

FF Exposure Warning Statements:
 This equipment complies with FCC radiation exposure limits set forth for an uncontrolled environment. This equipment shall be installed and operated with minimum distance 20cm between the radiator & body.

PowerSafe Management
 Guarantees against short circuit and over-charging for your power bank and devices.

Customer Service
 For any question about the product, please contact us at service@energizerpowerbanks.com

Safety Instruction

- Avoid water, heat, the penetration of the battery, and severe drops at all times.
- Do not insert other objects into the USB ports other than the USB connectors.
- Once the product is fully charged, your power pack automatically shuts off to save power.
- During charge & recharge, battery may feel slightly warm.
- Do not clean the battery with water or other cleaning products, clean the exterior with a lightly wetted cloth or napkin
- Any intentional and physical damage to the battery will not be under the warranty conditions
- Battery storage temperature is between -10°C ~40°C, operating temperature is 0°C ~45°C
- Fully charge the battery before first use to maximize the battery life
- Recommend to recharge your power bank with a wall charger/adaptor.
- For better performance, avoid recharging the power bank while your device is connected to it.
- Dispose of battery properly, ask local disposal facility for advice.
- Do not disassemble, damage or incinerate the battery at any time.
- Please use the original accessories such as charging cable and adapter for better performance

WARRANTY
 All products from the date of purchase are qualified for limited time warranty. For more warranty information, please visit: <http://www.energizerpowerbanks.com>

GARANTEE
 Alle Produkte eignen sich ab dem Kaufdatum zu einer beschränkten Qualitätsgaranzzeit. Für zusätzliche Garantiedetails klicken Sie bitte auf: <http://www.energizerpowerbanks.com>

GARANTEE
 Tous les articles bénéficient d'une garantie limitée dans le temps à partir de la date d'achat. Pour plus d'informations concernant la garantie, merci de visiter notre site: <http://www.energizerpowerbanks.com>

GARANZIA
 Tutti i prodotti, a partire dalla data di acquisto, hanno la certificazione sulla qualità per un periodo limitato di tempo. Per ulteriori informazioni sulla garanzia si prega di visitare il sito: <http://www.energizerpowerbanks.com>

GARANZIA
 Todos los productos desde la fecha de compra gozan de la garantía de tiempo limitado. Para más información sobre la garantía, puede visitar: <http://www.energizerpowerbanks.com>

FCC ID: 2A494BTS204

RoHS Compliant

© 2021 Energizer. Energizer and certain graphic designs are trademarks of Energizer Brands, LLC and related subsidiaries and are used under license by Ternion International Corp. All other brand names are trademarks of their respective owners. Neither Ternion International Corp. nor Energizer Brands, LLC is affiliated with the respective owners of their trademarks.

FCC Warning Statement

Changes or modifications not expressly approved by the party responsible for compliance could void the user's authority to operate the equipment. This equipment has been tested and found to comply with the limits for a Class B digital device, pursuant to Part 15 of the FCC Rules. These limits are designed to provide reasonable protection against harmful interference in a residential installation. This equipment generates uses and can radiate radio frequency energy and, if not installed and used in accordance with the instructions, may cause harmful interference to radio communications. However, there is no guarantee that interference will not occur in a particular installation. If this equipment does cause harmful interference to radio or television reception, which can be determined by turning the equipment off and on, the user is encouraged to try to correct the interference by one or more of the following measures:

- - Reorient or relocate the receiving antenna.
- - Increase the separation between the equipment and receiver.
- - Connect the equipment into an outlet on a circuit different from that to which the receiver is connected.
- - Consult the dealer or an experienced radio/TV technician for help.

This device complies with part 15 of the FCC Rules. Operation is subject to the following two conditions: (1) This device may not cause harmful interference, and (2) this device must accept any interference received, including interference that may cause undesired operation.

The device has been evaluated to meet general RF exposure requirement.