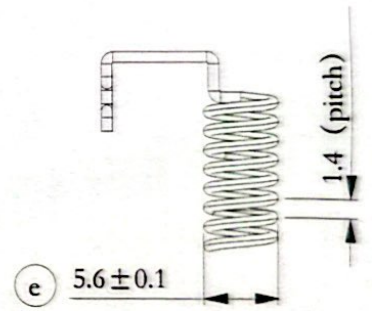
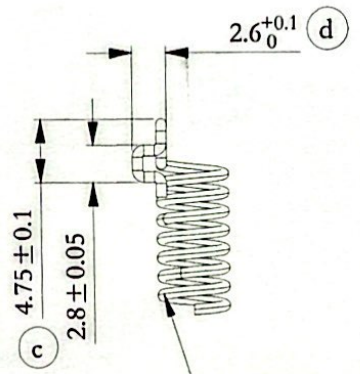
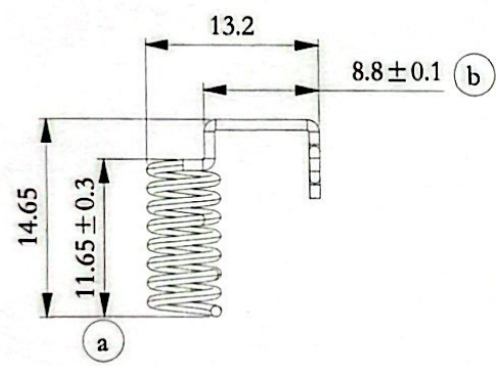
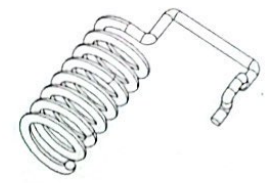


REVISIONS 更改说明

REV	DESCRIPTION 描述	DATE 日期	APPROVED 批准
V0	初版发布 Initial release	20230625	
V1	调整弹簧圈数 Adjust the number of turns of the spring	20230627	
V2	调整尺寸公差 Adjust dimensional tolerance	20230809	

IQC Check Dimension 重点管控尺寸	
a	11.65 ± 0.3
b	8.8 ± 0.1
c	4.75 ± 0.1
d	2.6 ^{+0.1} ₀
e	5.6 ± 0.1



The total number of springs is 8 turns



技术要求:

- Technical requirements:*
- 带圈"O"序号为重点检控尺寸;
The serial number with circle "O" is the key Prosecution size;
 - 表面要求光滑, 无脏污, 平整, 无变形等缺陷; 边缘不得有尖锐毛刺;
The surface shall be smooth, free of dirt, flatness and deformation; Edges shall be free from sharp burr;
 - 弹簧线径: 0.80mm, 外径: 5.6mm, 总圈数: 8圈, 螺距: 1.40mm, 右旋;
Spring diameter: 0.80 mm, outer diameter: 5.6 mm, total number of laps: 8 laps, pitch: 1.40 mm, right rotation;
 - 材质: 磷青铜, 盐雾测试48小时以上;
Material: Phosphorous copper, salt spray test for more than 48 hours;
 - 所用材料需符合ROHS绿色环保标准;
RJHS green standards for materials used;
 - 未注尺寸以3D图为准;
Dimensions not noted shall be 3D drawing;
 - 天线增益: 1dbi;
Antenna gain: 1dbi;
 - 生产地址: 广东省东莞市茶山镇茶山村塘环岭工业区D栋。
Production address: Building D, Tanghuanling Industrial Zone, Chashan Village, Chashan Town, Dongguan City, Guangdong Province.

APPROVED MFG LIST		TOLERANCES (UNLESS OTHERWISE STATED)	
MFG	MPN	DECIMALS	ANGLES
1.	_____	0.1	
2.	_____		
3.	_____		
4.	_____		

ANY MFG NOT LISTED ABOVE MUST BE APPROVED IN WRITING BY X-SENSE

深圳市安室智能有限公司			
X-Sense innovations Co., Ltd.			
PART NAME 零件名称	DESIGN 设计	CHECK 审核	MATERIAL 材料
Spring Antenna	魏旭	江健	Phosphorous copper
MODEL NAME 产品型号	SMA51	UNIT 单位	mm
ITEM NO. 物料编号	Y.1.33.010026	APPROVAL 批准	VIEW 视图
VERSION 版本	V2	DATE 日期	SCALE 比例
		20230809	2:1