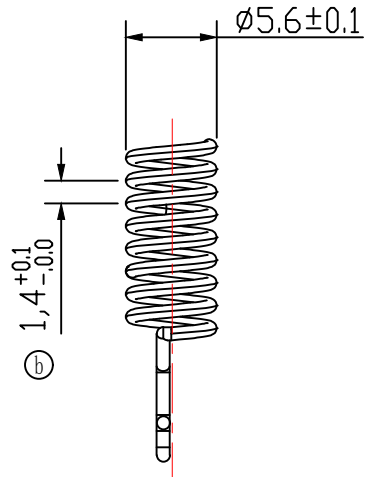
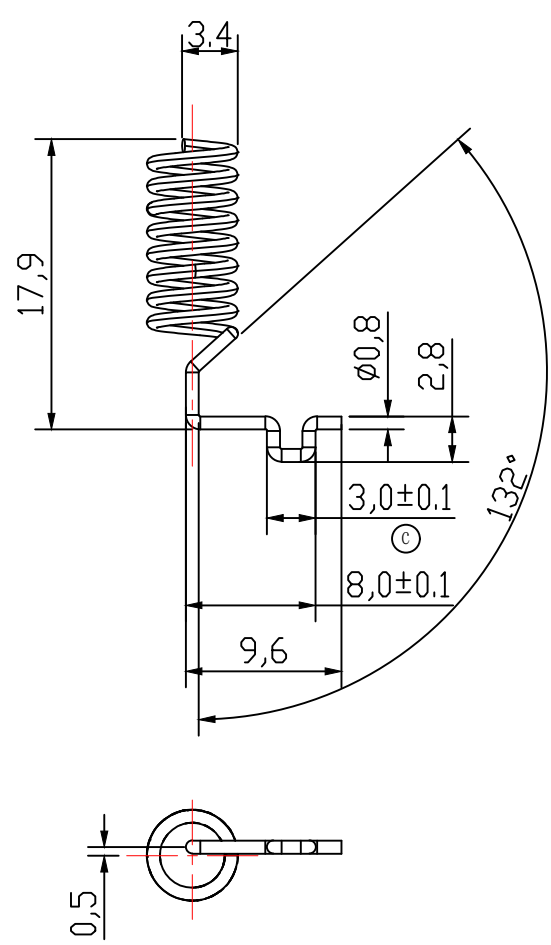


IQC Check Dimension 重点管控尺寸	
(a)	8.5T
(b)	1.40 ^{+0.10} _{0.00}
(c)	3.0±0.1
(d)	
(e)	

REVISIONS 更改说明			
REV	DESCRIPTION 描述	DATE 日期	APPROVED 批准
00	新版发行	2020-12-17	dym



NOTES:

1. 弹簧线径: 0.80mm, 外径: 5.6mm, 总圈数: 8.5圈, 螺距: 1.40mm, 右旋;
Spring diameter 0.80 mm, outer diameter 5.6 mm, total number of laps : 8.5T pitch 1.40 mm, right rotation;
2. 未注尺寸以3D图为准;
Dimensions not noted shall be 3D drawing;
3. 表面要求光滑, 无脏污, 平整, 无变形等缺陷; 边缘不得有尖锐毛刺;
The surface shall be smooth, free of dirt, flatness and deformation; Edges shall be free from sharp burrs;
4. 所用材料需符合ROHS绿色环保标准;
ROHS green standards for materials used;
5. 材质: 磷铜, 盐雾测试48小时以上;
Material: brass, salt spray test for more than 48 hours;
6. 无线增益: 1dbi;
Gain: 1dbi;
7. 生产地址: 广东省东莞市茶山镇茶山村塘环岭工业园D栋;
Production address: Building D, Tanghuanling Industrial Zone, Chashan Village, Chashan Town, Dongguan City, Guangdong Province;

APPROVED MFG LIST	
MFG	MPN
① AOXIONG HARDWARE (DONGGUAN) 粤014803-010015	
② _____	_____
③ _____	_____
④ _____	_____

ANY MFG NOT LISTED ABOVE MUST BE APPROVED IN WRITING BY X-SENSE

TOLERANCES (UNLESS OTHERWISE STATED)		
DECIMALS	ANGLES	+0.3°
尺寸范围	重点管控	非重点管控
X>200mm	±0.25mm	±0.50mm
100<X≤200mm	±0.20mm	±0.40mm
50<X≤100mm	±0.15mm	±0.30mm
10<X≤50mm	±0.10mm	±0.20mm
X≤10mm	±0.05mm	±0.10mm

X-SENSE		深圳市安室智能科技有限公司 X-Sense innovations Co., Ltd.	
PART NAME: 零件名称:	弹簧天线	DESIGN: 设计:	dym
MODEL NAME: 产品型号:	CD03D-W	CHECK: 审核:	梁永富
INTERNAL NUMBER: 物料编号:	Y.1.33.010015	APPROVE: 批准:	梁永富
VERSION: 版本:	V0	DATE: 日期:	2020-12-17
		UNIT: 单位:	MM
		VIEW: 视角:	
		SCALE: 比例:	1:1