

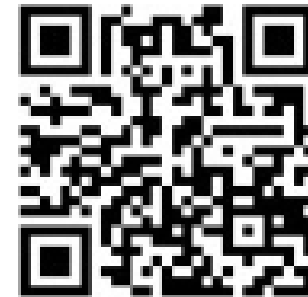
Module Label

U9W44 _ (suffix)

Serial No. :T*****

IC : 25625-U9W44

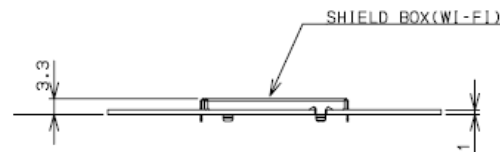
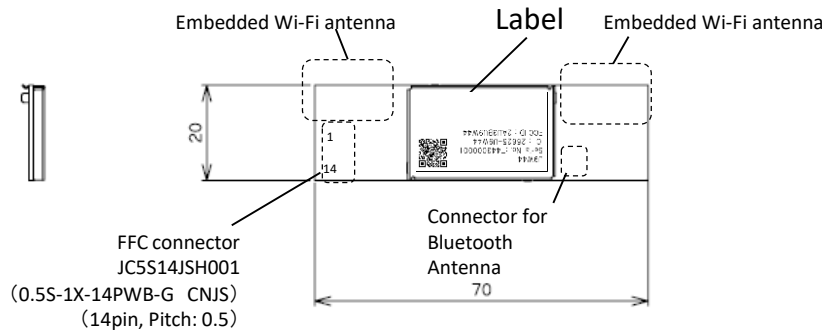
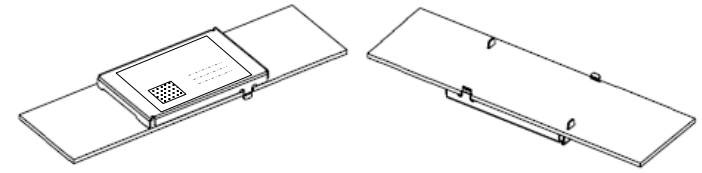
FCC ID : 2AU3BU9W44



15mm

25mm

Module Label Location



MODEL : U9W44

FFC Connector

Pin No.	Name
1-3	GND
4	D+
5	D-
6-8	3.3V
9	WoWLAN
10	RESET
11	WoBT
12-14	GND

Approved	Checked	Checked	Drawn

Part name				WI-FI MODULE OUTLINE (外觀図)			
Revision	Tolerance	Material	Drawn	Revision	Tolerance	Material	Drawn
△ / / -	0~25 ±0.1	---		△ / / -	25~50 ±0.15	---	
△ / / -	50~100 ±0.2	---		△ / / -	100~250 ±0.3	Q'ty	Model No.
△ / / -	250~	±0.4	---	△ / / -	±1.0	---	



Scale 1:1

Part No. & Drawing No. <Page No.> <1 of 1>

DO NOT MEASURE FROM THIS DRAWING.