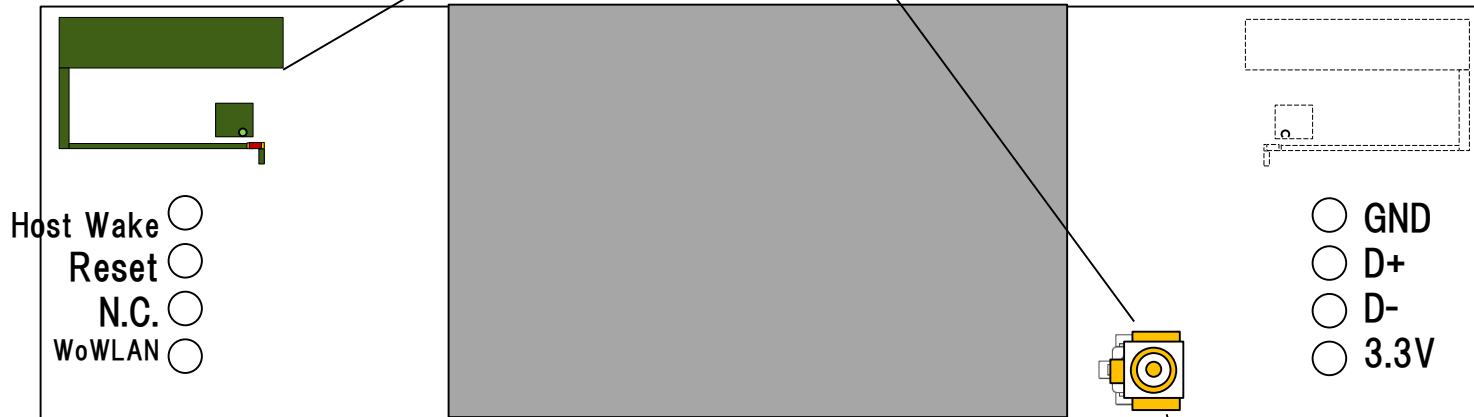


U9W37 ANT Specifications

2.4G/5G WiFi Antenna

Printed Antenna (ANT A)
2.412~2.462, 5.180~5.320,
5.500~5.700GHz

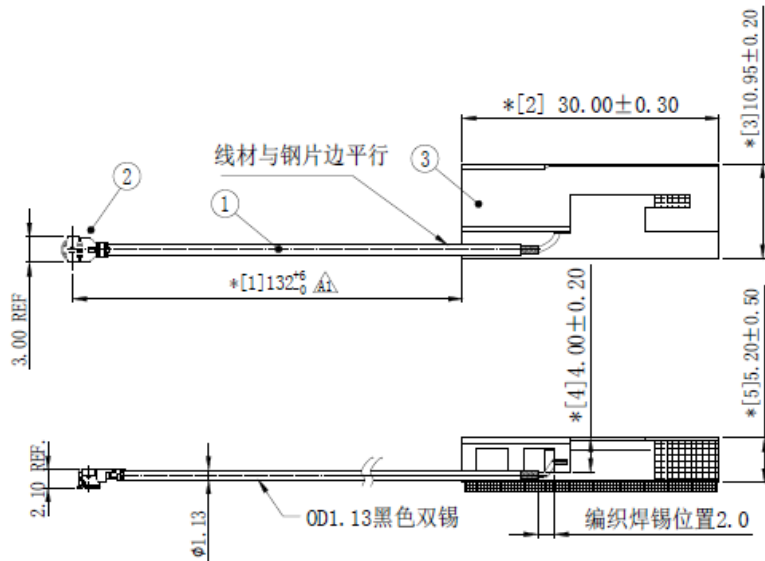


Connector for External WiFi (ANT B)
Antenna 2.412~2.462GHz
5.180~5.320, 5.500~5.825GHz

- WiFi Antenna A : $\lambda/4$ monopole antenna
- WiFi Antenna B : External Metal Antenna

U9W37 Antenna Characteristics (WiFi ANT A/B)

	WiFi ANT A						WiFi ANT B (External Antenna)					
	2.412	2.462	5.18	5.32	5.5	5.825	2.412	2.462	5.18	5.32	5.5	5.825
Directivity (dBi)	6.57	7.44	5.26	5.43	6.65	5.97	5.29	5.63	6.32	8.41	6.43	5.48
Efficiency (%)	16	15	54	44	45	28	8	14	8	14	23	10
Efficiency (dB)	-8.03	-8.18	-2.7	-3.61	-3.51	-5.58	-11.11	-8.42	-10.99	-8.57	-6.34	-9.84
Gain (dB)	-1.46	-0.74	2.56	1.82	3.14	0.39	-5.62	-2.80	-4.67	-0.16	0.09	-4.36



<External WiFi antenna>

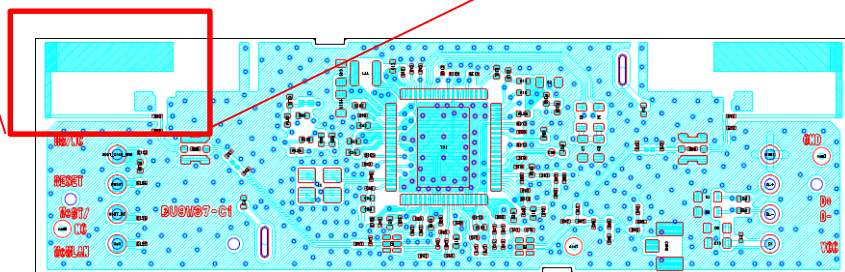
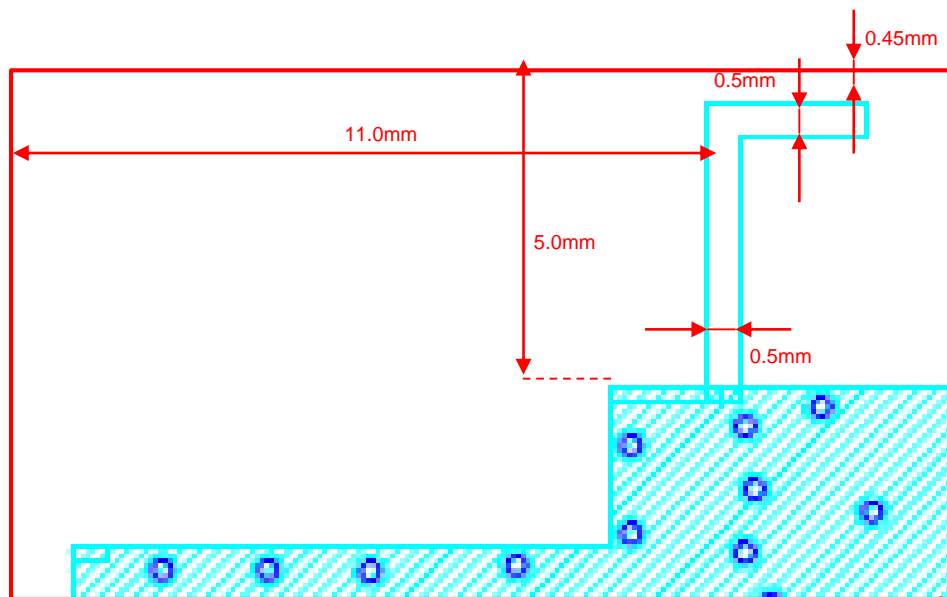
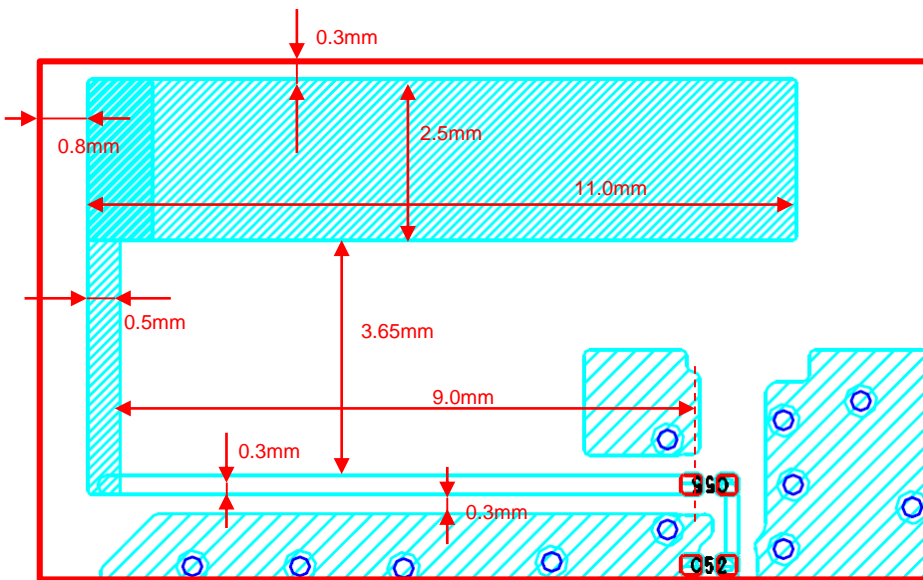
Vender: Dongguan Huangjie Communication Technology Co., Ltd.

Vender Address: No.3 taihe Road, Quantang, Liaobu Town, Dongguan city, Guangdong Province

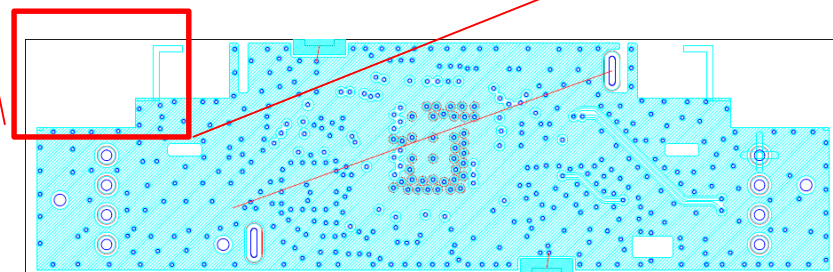
Current Part No.: 3N0235LG-001

Cable length : 25cm typ

U9W37 Antenna Dimension (WiFi ANT A)



Top Layer



Bottom Layer