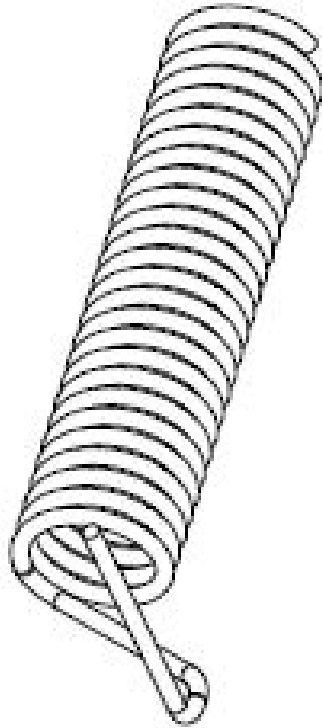




GC433-A2

Specification for 433MHz spring antenna



一、 product description

GC433-A2 spring antenna is a special antenna designed for 433MHz wireless communication system. The antenna has good standing wave ratio performance,

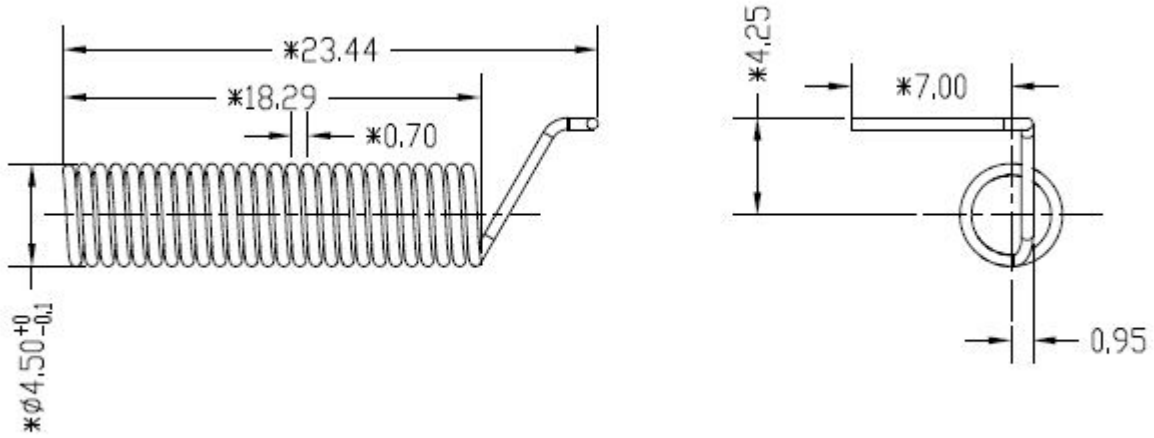
Small size, clever structure, easy installation, stable performance, with good anti vibration and aging ability.

二、 performance parameter

- center frequency : 433MHz
- SWR: ≤ 2
- gain: 2 DBI
- input impedance: 50 Ω
- Interface form: Direct welding
- Antenna color: white



三、machine dimension



四、SWR_t

frequency: 433MHz

SWR: 1.375

