

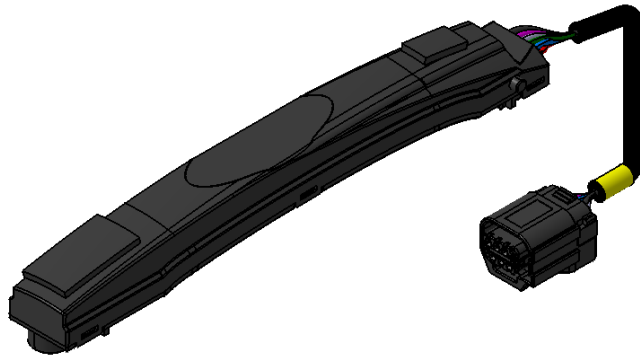
# WINNERCOM

WINNERCOM



## CN7 PE NFC Touch Door Handle User Manual

V 1.0



Winnercom Co., Ltd.

# Contents

WINNERCOM

1. Introduction

2. NFC Door Handle Design(BOM) & Application

3. Attentions

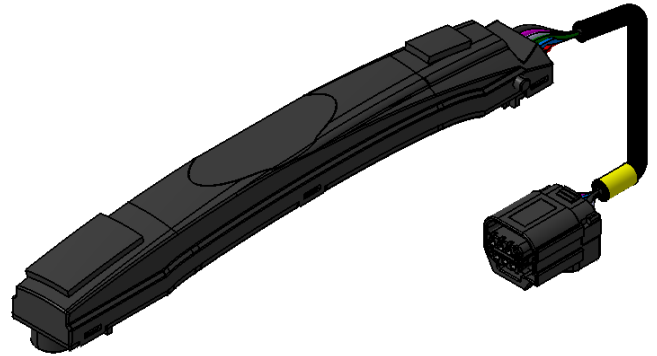
4. Specifications

5. User Information and Instructions

# 1. Introduction

WINNERCOM

- Door handle Module (DHS)
- NFC & Capacitive Touch
- Pocket Light LED
- Hi-Speed CAN

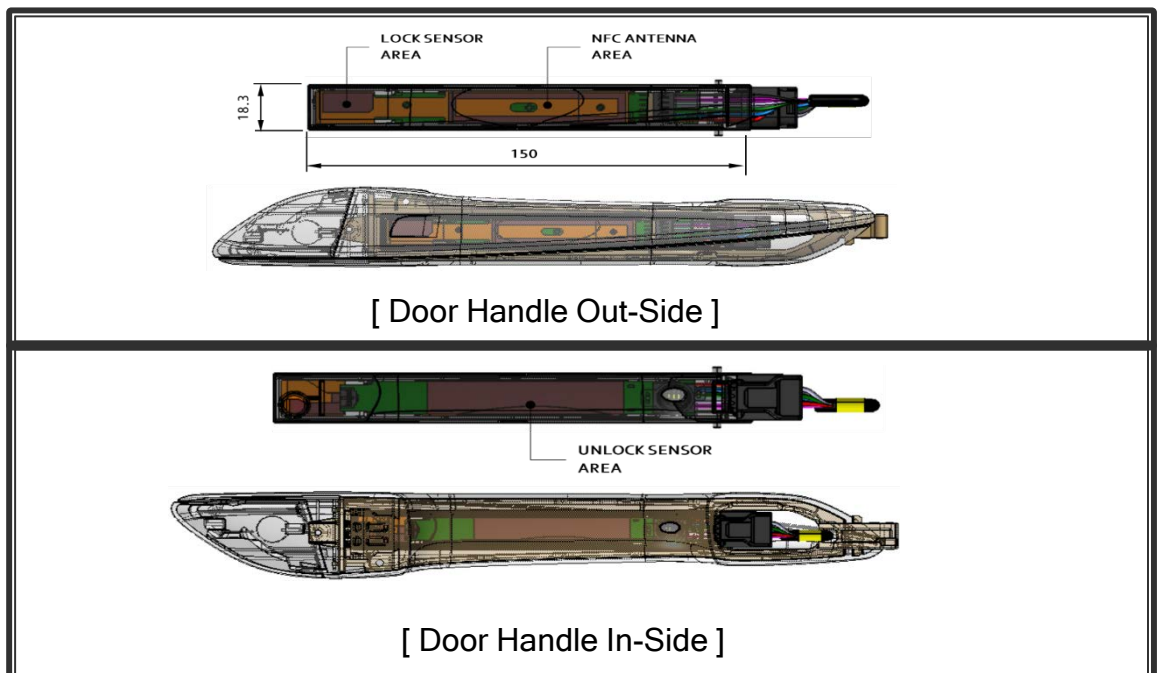


The door handle module for Automotive has a NFC Reader and lock/Unlock 2Channel Capacitive touch Sensor function.

This module is installed inside of the door handle covers and will be attached to the outside door panel.

This module is communicated with CAN network which enables to connect to the car network to send the signal of lock and unlock of door and Pocket light LED On/Off control.

It receives DC power from car battery at all time.



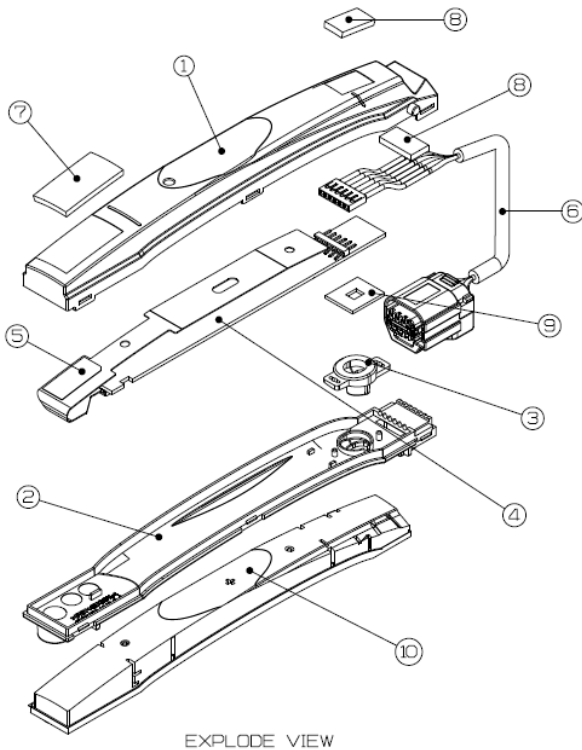
[ Assembled cover and DHS ]

## 2. NFC DHS Design(BOM) & Application

WINNERCOM

### CE - NFC Touch Door Handle

ITEMS	SPECIFICATION
Size	150 x 18.3 x 22(h) [mm] (Length x Width x Height)
Color	Black
Weight	60g
Waterproof	Polyurethane full potting inside of module. Protective of humidity ,vibration, waterproof.
Material	Case : PA6+GF15% , ABS / PRESS : SPTE(Tin-Plating) / PCB : FR-4, 4Layer / Foam Tape : EPDM/ FPCB : Polyimide film

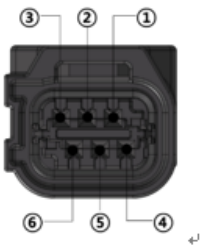


NO	PART NAME	MATERIAL	FINISH	WEIGHT(g)	DIE STATUS	QTY	REMARK
1	CASE UPPER	PBT-GF30-O3 TYPE M (MS94-C3)	-	121g	NEW	1	BLACK
2	CASE LOWER	PBT-GF30-O3 TYPE M (MS94-C3)	-	81g	NEW	1	BLACK
3	LED POCKET	PC-OOL TYPE A-1 (MS25-01)	-	04g	NEW	1	CLEAR
4	PCBA	FR-4, 1/1 t=1.2	-	53g	NEW	1	-
5	FPCB	PET	-	05g	NEW	1	-
6	CABLE ASSY	AVSS 0.30S / 28인 6P	-	86g	NEW	1	※0.5m 길이 (0.5m)
7	FOAM PAD A	EPDM FOAM	-	01g	C/O	1	BLACK
8	FOAM PAD B	EPDM FOAM	-	002g	C/O	1	BLACK
9	FOAM PAD LED	EPDM FOAM	-	0.02g	C/O	1	BLACK
10	POTTING	■SILICONE TYPE B (MS94-10)	-	16.5g	C/O	1	BLACK

### 3. Attentions

WINNERCOM

- Please always mount the Door handle Module before power on the device to avoid circuit damage
  - Before power on the Module, check the power supply(Fig. 1)
  - Module Input Power connect to the connector(Fig. 1)
- **Type:** 6pin Connector Sealed
  - **Maker & Part No.:** 경신, HKC06-12721 6P Female



Pin #.	Name	Description	In/Out	Wire Color	I/O Level
1	V Bat(+Vcc)	Power Supply	Power	RED	Battery +
2	L_CAN(L)	CAN Low Signal	I/O	GREEN	2.5±TBD V
3	TOUCH_1	LOCK	O	GRAY	
4	TOUCH_2	UNLOCK	O	PINK	
5	L_CAN(H)	CAN High Signal	I/O	BLUE	2.5±TBD V
6	GND	Electric Ground	Power	BLACK	Gnd

CAN (HI), CAN (LO) communication lines shall be applied as twisted wires between the connector and the door handle module. The twist is applied once per inch (360 degrees).

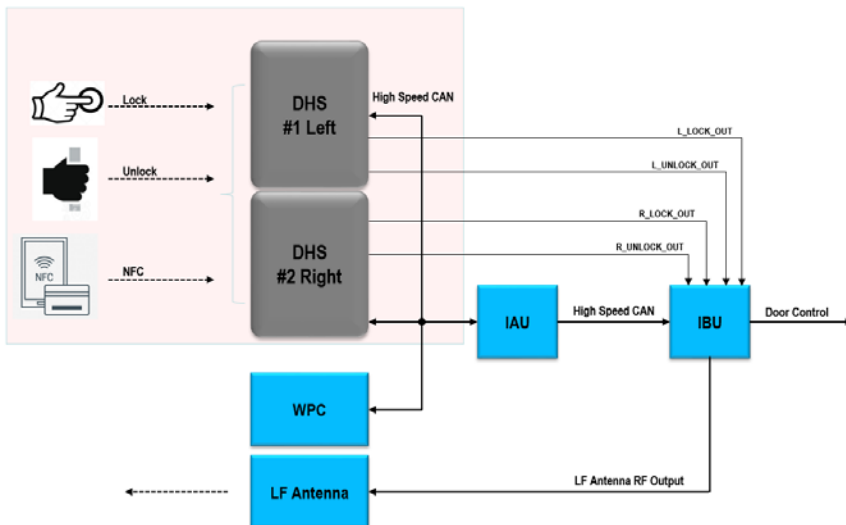
Fig. 1 Connector

# 4. Specifications

WINNERCOM

## NFC Touch Data

Frequency Range	13.56MHz for NFC
Operating Voltage	9.0 ~ 16.0 [Vdc], Typical 12.0 [Vdc]
Current	Max 400mA @ Operation Mode
Operating Temp.	-30°C ~ 75°C
Storage Temp.	-40°C ~ 85°C



[ System Block Diagram ]

## 5. User Information and Instructions

WINNERCOM

### FCC Compliance Statement

This device complies with part 15 of the FCC rules. Operation is subject to the following two conditions: (1) This device may not cause harmful interference, and (2) this device must accept any interference received, including interference that may cause undesired operation.

### FCC Caution

Any changes or modifications not expressly approved by the party responsible for compliance could void the user's authority to operate this equipment. This transmitter must not be co-located or operating in conjunction with any other antenna or transmitter.

### Industry Canada Statement

This device complies with RSS-210 of the Industry Canada Rules. Operation is subject to the following two conditions: (1) This device may not cause harmful interference, and (2) this device must accept any interference received, including interference that may cause undesired operation. Ce dispositif est conforme à la norme CNR-210 d'Industrie Canada applicable aux appareils radio exempts de licence. Son fonctionnement est sujet aux deux conditions suivantes: (1) le dispositif ne doit pas produire de brouillage préjudiciable, et (2) ce dispositif doit accepter tout brouillage reçu, y compris un brouillage susceptible de provoquer un fonctionnement indésirable.

### Manufacturer information

Manufacturer name	WINNERCOM Co., Ltd.
Address, City:	158-7, Golden root-ro, Juchon-myeon, Gimhae-si, Gyeongsangnam-do, KOREA
Product name (type) :	Touch door