

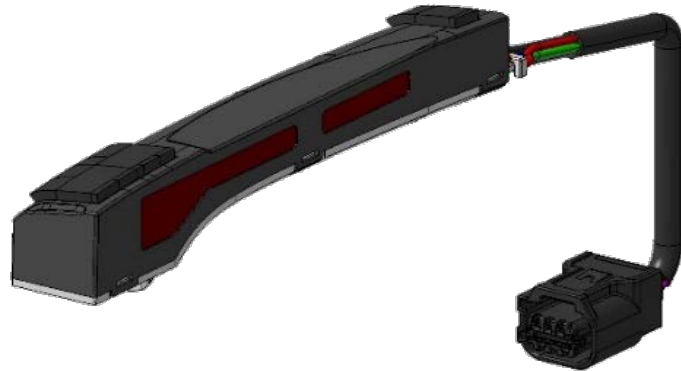
WINNERCOM

WINNERCOM



CE NFC Touch Door Handle User Manual

V 1.0



Winnercom Co., Ltd.

Contents

WINNERCOM

1. Introduction

2. NFC Door Handle Design(BOM) & Application

3. Attentions

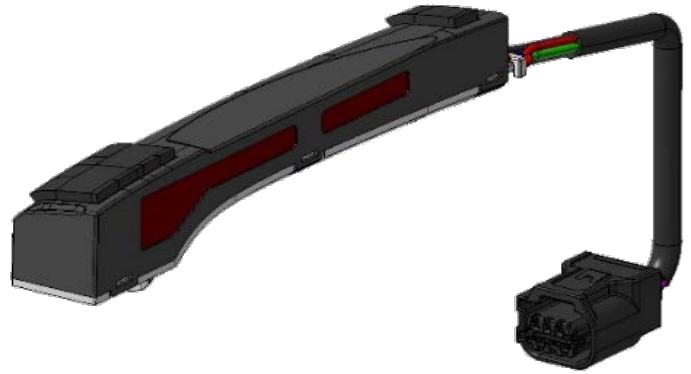
4. Specifications

5. User Information and Instructions

1. Introduction

WINNERCOM

- Door handle Module (DHS)
- NFC & Capacitive Touch
- Pocket Light LED
- Hi-Speed CAN

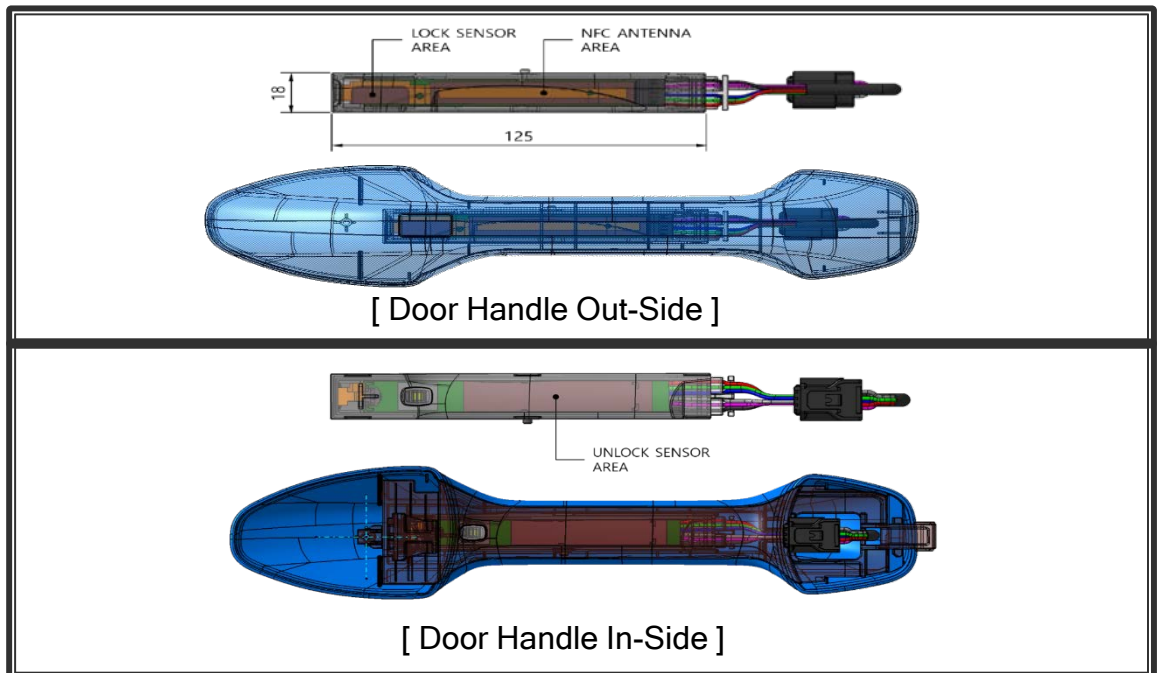


The door handle module for Automotive has a NFC Reader and lock/Unlock 2Channel Capacitive touch Sensor function.

This module is installed inside of the door handle covers and will be attached to the outside door panel.

This module is communicated with CAN network which enables to connect to the car network to send the signal of lock and unlock of door and Pocket light LED On/Off control.

It receives DC power from car battery at all time.



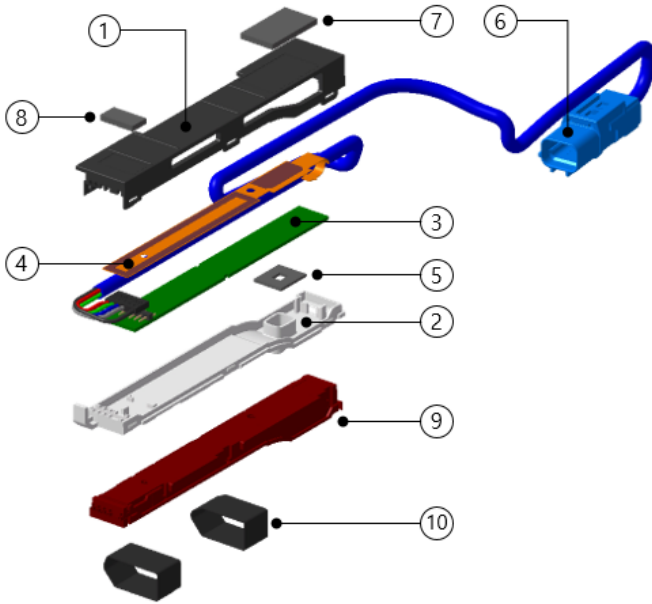
[Assembled cover and DHS]

2. NFC DHS Design(BOM) & Application

WINNERCOM

CE - NFC Touch Door Handle

ITEMS	SPECIFICATION
Size	125 x 18 x 20 mm (Length x Width x Height)
Color	Black
Weight	53g +/- 2.2%
Waterproof	Polyurethane full potting inside of module. Protective of humidity ,vibration, waterproof.
Material	Case : PA6+GF15% , ABS / PRESS : SPTE(Tin-Plating) / PCB : FR-4, 4Layer / Foam Tape : EPDM/ FPCB : Polyimide film

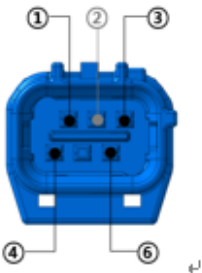


NO	Lev	SUB 부품명	협력사	재질
1	1	CASE UPPER	성신화학	PA6+GF15%
2	1	CASE LOWER	성신화학	PC
3	1	PCB ASSY	TBD	FR-4
4	1	FPCB	TBD	
5	2	FOAM PAD LED	한성산업	발포 EPDM
6	2	CABLE ASSY	화성일렉컴	AVSS 0.3SQ
7	1	FOAM PAD A	한성산업	발포 EPDM
8	1	FOAM PAD B	한성산업	발포 EPDM
9	1	ANT POTTING	ESP 케미칼	UE-917 A,B
10	1	TAPE	-	PVC

3. Attentions

WINNERCOM

- Please always mount the Door handle Module before power on the device to avoid circuit damage
 - Before power on the Module, check the power supply(Fig. 1)
 - Module Input Power connect to the connector(Fig. 1)
- **Type** : 5pin Connector Sealed
 - **Maker & Part No.:** 경신, HKC05-12737 5P Male Connector(경신_Blue)



Pin #.	Name	Description	In/Out	Wire Color	I/O Level
1	V Bat(+Vcc)	Power Supply	Power	RED	Battery +
2	L_CAN(L)	CAN Low Signal	I/O	GREEN	2.5±TBD V
3	TOUCH	LOCK/UNLOCK	O	GRAY	LOCK/UNLOCK
4	L_CAN(H)	CAN High Signal	I/O	BLUE	2.5±TBD V
5					
6	GND	Electric Ground	Power	BLACK	Gnd

CAN(HI), CAN(LO) 통신선은 커넥터와 도어핸들 모듈사이에서 트위스트 와이어로 적용되어야 한다.
 인치당 1회(360도) 트위스트가 적용 한다.

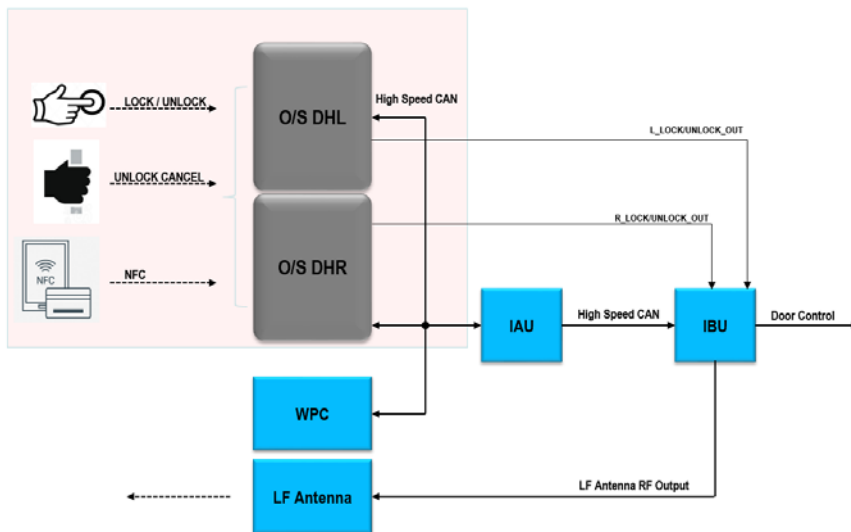
Fig. 1 Connector

4. Specifications

WINNERCOM

NFC Touch Data

Frequency Range	13.56MHz for NFC
Operating Voltage	9.0 ~ 16.0 [Vdc], Typical 12.0 [Vdc]
Current	Max 400mA @ Operation Mode
Operating Temp.	-30°C ~ 75°C
Storage Temp.	-40°C ~ 85°C
Symbol	DC, IEC 60417-5031 (2002-10)



[System Block Diagram]

5. User Information and Instructions

WINNERCOM

FCC Part 15 Compliance information.

This device complies with part 15 of the FCC Rules. Operation is subject to the following two conditions :

- (1) This device may not cause harmful interference, and
- (2) this device must accept any interference received,
including interference that may cause undesired operation.

FCC Caution

Any changes or modifications not expressly approved by the party responsible for compliance could void the user's authority to operate this equipment. This transmitter must not be co-located or operating in conjunction with any other antenna or transmitter.

Le présent appareil est conforme aux CNR d'Industrie Canada applicables

aux appareils radio exempts de licence. L'exploitation est autorisée aux deux conditions suivantes :

- (1) l'appareil ne doit pas produire de brouillage ;
- (2) l'utilisateur de l'appareil doit accepter tout brouillage radioélectrique subi,
même si le brouillage est susceptible d'en compromettre le fonctionnement.

- This product is compliant with the essential requirements and other relevant provisions of the Directive 2014/53/EU.

- This product can be used in which EU members, in accordance with ArticleS10(10).

Manufacturer information

Manufacturer name	WINNERCOM Co., Ltd.
Address, City:	HUMAX Village, 216, Hwangsaeul-ro, Bundang-Gu, Seongnam-si, Gyeonggi-do, South KOREA 13595
Product name (type) :	Vehicle active antenna & Touch door