

## DECLARATIONS

### U.S. Radio Frequency FCC Compliance

This device complies with Part 15 of the FCC Rules. Operation is subject to the following two conditions:

- (1) This device may not cause harmful interference, and
- (2) This device must accept any interference received, including interference that may cause undesired operation.

This equipment has been tested and found to comply with the limits for a Class B digital device, pursuant to Part 15 of the FCC Rules. These limits are designed to provide reasonable protection against harmful interference in a residential installation. This equipment generates, uses, and can radiate radio frequency energy and, if not installed and used in accordance with the instructions, may cause harmful interference to radio communications. However, there is no guarantee that interference will not occur in a particular installation. If this equipment does cause harmful interference to radio or television reception, which can be determined by turning the equipment off and on, the user is encouraged to try to correct the interference by one or more of the following measures:

- Reorient or relocate the receiving antenna.
- Increase the separation between the equipment and receiver.
- Connect the equipment into an outlet on a circuit different from that to which the receiver is connected.
- Consult the dealer or an experienced radio/TV technician for help.

Any Changes or modifications not expressly approved by the party responsible for compliance could void the user's authority to operate the equipment.

### ISED RSS Warning:

This device complies with Innovation, Science and Economic Development Canada licence-exempt RSS standard(s). Operation is subject to the following two conditions: (1) this device may not cause interference, and (2) this device must accept any interference, including interference that may cause undesired operation of the device. Le présent appareil est conforme aux CNR d'ISED applicables aux appareils radio exempts de licence. L'exploitation est autorisée aux deux conditions suivantes: (1) l'appareil ne doit pas produire de brouillage, et (2) l'utilisateur de l'appareil doit accepter tout brouillage radioélectrique subi, même si le brouillage est susceptible d'en compromettre le fonctionnement.

### RF exposure statement

This equipment complies with the FCC RF radiation exposure limits set forth for an uncontrolled environment. This equipment should be installed and operated with a minimum distance of 20cm between the radiator and any part of your body.

This equipment meets the exemption from the routine evaluation limits in section 2.5 of RSS-102. It should be installed and operated with a minimum distance of 20cm between the radiator and any part of your body.

Cet équipement est conforme à l'exemption des limites d'évaluation habituelle de la section 2.5 de la norme RSS-102. Il doit être installé et utilisé à une distance minimale de 20 cm entre le radiateur et toute partie de votre corps.

# BLISS™ Automation *by Alta*



## SERIAL BRIDGE PROGRAMMING AND USERS GUIDE

Product  
Certification



BLISS Bridge allows the user to link their motorized Shades and Blinds into a Wi-Fi network enabling control via smart APP and interaction with other IoT products and Third Party Integration.

## STEP 1

Please scan the QR Code below to download the app.



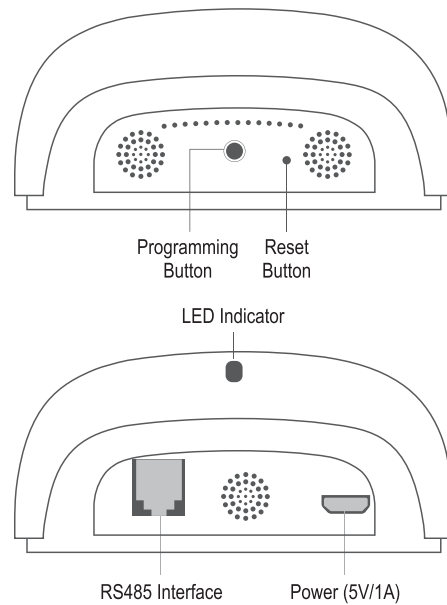
## STEP 2

Please scan the QR Code below to view more about setting up the BLISS APP along with additional BLISS Automation troubleshooting and how to videos.



## BUTTON AND PORT LOCATIONS

# BLISS™ Serial Bridge



### Programming / Pairing

Press and hold programming button for about 2 seconds, then release until the LED blinks purple.

### Reset

Press and hold programming button for about 10 seconds, then release until the LED blinks red.

## PRODUCT SPECIFICATIONS

<b>Input Voltage</b>	5V DC (USB Type A)
<b>Input Power</b>	1000mA
<b>WiFi Network</b>	2.4Ghz only (802.11b/n/g)
<b>Shade Control Frequency</b>	433.92 Mhz
<b>Range</b>	30 meters or 98 feet
<b>Protection Class</b>	IP20
<b>Operation Temperature</b>	32°F to 104°F (0°C to 40°C)
<b>Integration</b>	RS485 (Optional)

## STATUS INDICATOR

Color	Meaning	Duration
— Constant Blue	Working fine	Constant
— Slow Flashing Red	Wi-Fi is disconnected	Continuously till status change
— Slow Flashing Yellow	Wi-Fi is connected	Continuously till status change
••• Quick Flashing Red	Bridge reset	5 times
— Slow Flashing Purple	Pairing underway	Continuously till status change
— Slow Flashing Green	Upgrade in progress	Continuously till status change

## THIRD PARTY INTEGRATION



\*Additional 3rd party integration programs available.