

SAFETY NOTE

1. This appliance can be used by children aged from 8 years and above and persons with reduced physical, sensory or mental capabilities or lack of experience and knowledge if they have been given supervision or instruction concerning use of the appliance in a safe way and understand the hazards involved.
2. Children shall not play with the appliance.
3. Cleaning and user maintenance shall not be made by children without supervision.
4. If the supply cord is damaged, it must be replaced by the manufacturer, its service agent or similarly qualified persons in order to avoid a hazard.
5. **WARNING:** the drive shall be disconnected from its power source during cleaning, maintenance and when replacing parts.
6. The instructions shall state that the A-weighted emission sound pressure level of the drive is equal to or less than 70 dB(A), e.g. by writing $LpA \leq 70$ dB(A).
7. The mass and the dimension of the driven part shall be compatible with the rated torque and rated operating time.
8. The type of driven part the drive is intended for.
9. **WARNING:** Important safety instructions. It is important for the safety of persons to follow these instructions. Save these instructions.
10. Do not allow children to play with fixed controls. Keep remote controls away from children.
11. Frequently examine the installation for imbalance and signs of wear or damage to cables and springs. Do not use if repair or adjustment is necessary.
12. Watch the moving shutter and keep people away until the shutter is completely closed.
13. **WARNING:** Important safety instructions. Follow all instructions, since incorrect installation can lead to severe injury.
14. Before installing the drive, remove any unnecessary cords and disable any equipment not needed for powered operation.



DV24AF/S , DV24AE/S

Instruction | A-02



Features

- Electronic Limit
- Dual Shaft
- Stall Protection
- Limit Fine Adjustment
- Speed Regulation
- Built-in Receiver
- Jog & Tilt
- Program Button
- Radio Lock
- Reset to Factory Mode
- Memorized Settings
- Switch Direction
- Preferred Stop Position
- Low Power Consumption

Fields of Application



The motor is suitable for motorization of venetian blinds.

Specifications

Working temperature: -10°C ~ +55°C	Radio Frequency: 433.925MHz
Rated Voltage: 12V	Thermal Protection time: > 6 minutes

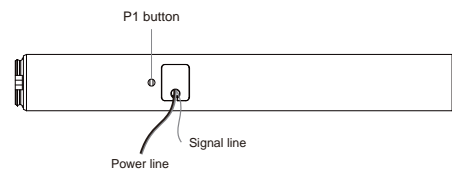
Following data for reference

Model	Rated Torque (N.m)	Rated Speed (rpm)	Rated Current (A)
DV24AE/S-0.6/34	0.6	34	1.1
DV24AE/S-0.6/50	0.6	50	1.1
DV24AF/S-0.8/34	0.8	34	1.1

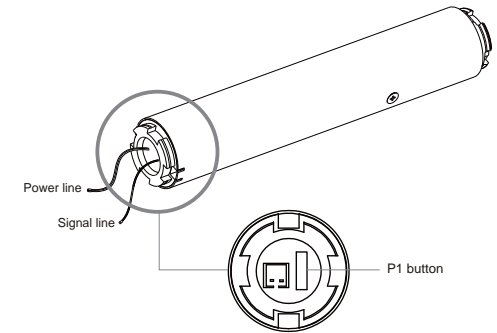
* For reference only.

Motor Schematic

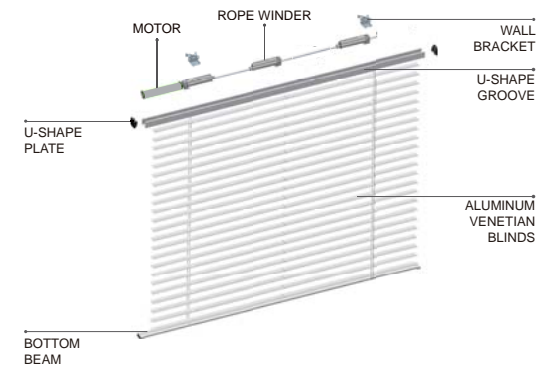
DV24AF/S



DV24AE/S



Motor Installation



Caution

1. Do not expose motor to humid, damp or extreme temperature conditions.
2. Do not drill into motor.
3. Do not cut the antenna and keep it clear from metal objects.
4. Do not allow children to play with this device.
5. If power cable or connector is damaged, do not use.
6. Ensure correct crown and drive adaptor are used.
7. Ensure power cable and aerial is clear and protected from moving parts.
8. Cable routed through walls shall be properly isolated.
9. Motor is to be mounted in horizontal position only.
10. Before installation, remove unnecessary cords and disable equipment not needed for powered operation.
11. Installation and programming to be performed by a qualified professional, use or modification outside the scope of this instruction may void warranty.



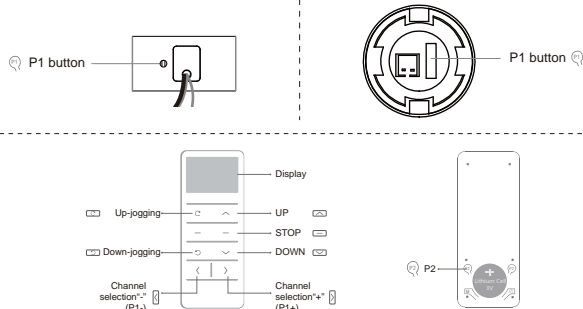
Important Safety Instructions To Be Read Prior To Operation.

Setting Notice

Please read following points of attention carefully before setting.

- Don't operate motors when low voltage alarm. During operation, motor will stop running when the voltage is lower than 8.0V and it will resume again when the voltage is greater than 8.5V.
- Operating:
 - The valid interval of the emitter button is 10s, the emitter will quit the set after 10s.
 - The motor will run for hint, please do the next step after the hint.
- Set limit position:
 - After the upper/lower limit setting, and the upper/lower limit position can't be at the same position.
 - After limit setting, with power off and memory function.
 - Limit delete will clear all limit memory.
 - It will exit limit setting when program there is no operation for 2 minutes.
- When the motor running without any operation, the maximum running time is 6 minutes, it will stop automatically.
- If the emitter lost, please setting up again with new emitter.
- One motor can store maximum 20 channels; after fully stored, if pair new channels, only the last one will be covered circularly.

Button Instructions



Functions of P1 button

- Cycle Operation:** Press P1 button once and every press the motor will run upward → stop → downward circularly.
- Pairing or Pair/Unpair Additional Emitter:** Press P1 button for 2S, motor jog once, release button, motor is ready for pairing or pair/unpair additional emitter.
- Radio Lock:** Press and hold P1 button for 6S, the motor will jog twice, release button, the motor enters radio lock status, the motor won't receive any signal; press P1 button once to disable Radio Lock.
- Switch Direction:** Press and hold P1 button for 10S, the motor will jog 3 times, release button, the running direction of the motor has been changed.
- Reset to Factory Mode:** Press and hold PROG button for 14S, the motor will jog 4 times, release button, the motor has been reset to factory mode.

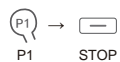


Essential Settings

The steps in factory mode must be completed to ensure proper operation.

Factory mode

1 Pairing



- Press P1 button for 2S (1 jog), release button, or repower (1 jog), within 10S, press STOP for 2S (2 jogs), the motor has been paired successfully.

*If within 10S, the motor doesn't receive STOP signal from the any emitter, it will exit the pairing mode automatically.

2 Switch Rotating Direction (Optional)

If press UP, the motor runs downward, try below to switch direction



Press and hold UP and DOWN buttons simultaneously for 2S, motor jog once, the direction has been switched successfully.

*After successful reversing, keep all the original Settings of the motor.

3 Upper and Lower Limits Setting

1 Set upper limit



Press UP for 2S, operate the motor to desired upper position, press and hold UP and STOP buttons simultaneously for 2S (2 jogs), upper limit is set.

2 Set lower limit

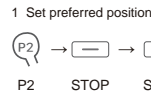


Press DOWN for 2S, operate the motor to desired lower position, press and hold DOWN and STOP buttons simultaneously for 2S (2 jogs), lower limit is set.

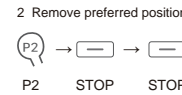
*If exit the limits setting status before you finish the limit setting, then the motor will take the previous limits if has; After the limits have been set successfully, the motor will enter the user mode.

User mode

1 Add A Preferred Position



1 Set preferred position



2 Remove preferred position

Check both upper and lower limits are set. Operate the product to desired preferred position. Press P2 (1 jog), press STOP (1 jog), STOP again (2 jogs), the preferred position is set.

Press P2 (1 jog), press STOP (1 jog), STOP again (1 jog), the preferred position is deleted.

*Press STOP for 2S, the motor moves to preferred position automatically.

2 Jog Mode & Running Mode Switch



Press and hold UP and DOWN buttons simultaneously for 5S (1 jog), press STOP (1 jog), switch to jog mode, if motor jogs twice, switch to running mode.

*when in jog mode, press UP or DOWN once, the motor will be jog running, if press more than 2 second, the motor will be continuously running.

3 Adjust Limits

1 Adjusting the upper limit



Press and hold UP and STOP buttons for 5S (1 jog), operate the product to desired new upper limit position, press and hold UP and STOP buttons for 2S (2 jogs), the new upper limit is programmed successfully.

2 Adjusting the lower limit

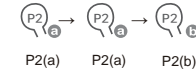


Press and hold DOWN and STOP buttons for 5S (1 jog), operate the product to desired new lower limit position, press and hold DOWN and STOP buttons for 2S (2 jogs), the new lower limit is programmed successfully.

*After entering the Trim Mode, the original preferred stop position will not be deleted; if there is no button operation in 2 minutes, 2 minutes time limit, motor chance to rotate the hint, and automatically exit the fine-tuning mode; After fine-tuning the upper/lower limits can not be in the same position.

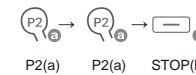
4 Pair / Unpair Additional Emitter

Method one



Press P2 (1 jog) and P2 (1 jog) on existing emitter, press P2 on new emitter to add (2 jogs), new emitter is paired to the motor.

Method two



Press P2 (1 jog) and P2 (1 jog) on existing emitter, press STOP on new emitter for 2S to add (2 jogs), new emitter is paired to the motor.

*Repeat same procedure will unpair additional emitter.

Method three



Press P1 button for 2S (1 jog), release button, press STOP on new emitter for 2S to add (2 jogs), new emitter is paired to the motor.

*Repeat same procedure will unpair additional emitter.

*(a) as existing emitter, (b) as new emitter to pair/unpair; All the setting of the motor will be kept after adding the new emitter.

5 Speed Regulation

1 Acceleration setting



Press P2 (1 jog), UP (1 jog), UP again (2 jogs), the motor running speed is accelerated.

2 Deceleration setting



Press P2 (1 jog), DOWN (1 jog), DOWN again (2 jogs), the motor running speed is decelerated.

*If the motor no response, it has already been the Max. or Min speed.

Quick Index

Settings	Steps
1 Pairing	P1 (hold down 2s) → Stop (hold down 2s)
2 Switch Rotating Direction	Up + Down (hold down 2s)
3 Upper and Lower Limits Setting	Set upper limit Up (hold down 2s) → Up + Stop (hold down 2s) Set lower limit Down (hold down 2s) → Down + Stop (hold down 2s)
4 Add / Remove Preferred Position	P2 → Stop → Stop
5 Jog Mode & Running Mode Switch	Up + Down (hold down 5s) → Stop
6 Adjust Limits	Adjusting the upper limit Up + Stop (hold down 5s) → Up or Down → Up + Stop (hold down 2s) Adjusting the lower limit Down + Stop (hold down 5s) → Up or Down → Down + Stop (hold down 2s)
7 Pair / Unpair Additional Emitter	P2(a) → P2 (a) → P2(b) P2(a) → P2 (a) → Stop (b) (hold down 2s) P1 (hold down 2s) → Stop (b) (hold down 2s)
8 Speed Regulation	Acceleration setting P2 → Up → Up Deceleration setting P2 → Down → Down

Troubleshooting

Issues	Possible causes	Solution
The motor has no response	Power Failure Or Incorrect Connection	Double check power and cable connections, follow wiring instructions.
	emitter battery is low capacity	Replace battery
	Radio interference / shielding	Check antenna on motor is intact and exposed. Check for possible source of radio interference.
The emitter can't control single motor	Out of radio control range	Try control within closer range
	Multiple motors are paired to the same channel	Always reserve an individual correctly (refer to motor functions) Try to use multi-channel emitters to control multi-motor projects, ensure each channel to control one single motor
The motor doesn't run or starts too slowly or make loud noise	Connections are incorrect.	Check connections
	Incorrect installation or overload	Check installation or overload
The motor stops during the going up or going down.	The motor has reached the lower limit	Adjust the new lower limit
	Running time exceeds 4 min	Consult the sales for more information

FCC Statement

Any Changes or modifications not expressly approved by the party responsible for compliance could void the user's authority to operate the equipment.

This device complies with part 15 of the FCC Rules. Operation is subject to the following two conditions:

- (1) This device may not cause harmful interference, and
- (2) This device must accept any interference received, including interference that may cause undesired operation.

ISED RSS Warning:

This device complies with Innovation, Science and Economic Development Canada licence-exempt RSS standard(s). Operation is subject to the following two conditions: (1) this device may not cause interference, and (2) this device must accept any interference, including interference that may cause undesired operation of the device.

Le présent appareil est conforme aux CNR d'ISED applicables aux appareils radio exempts de licence.

L'exploitation est autorisée aux deux conditions suivantes: (1) l'appareil ne doit pas produire de brouillage, et (2) l'utilisateur de l'appareil doit accepter tout brouillage radioélectrique subi, même si le brouillage est susceptible d'en compromettre le fonctionnement.

Note: This equipment has been tested and found to comply with the limits for a Class B digital device, pursuant to part 15 of the FCC Rules. These limits are designed to provide reasonable protection against harmful interference in a residential installation. This equipment generates, uses and can radiate radio frequency energy and, if not installed and used in accordance with the instructions, may cause harmful interference to radio communications. However, there is no guarantee that interference will not occur in a particular installation. If this equipment does cause harmful interference to radio or television reception, which can be determined by turning the equipment off and on, the user is encouraged to try to correct the interference by one or more of the following measures:

- Reorient or relocate the receiving antenna.
- Increase the separation between the equipment and receiver.
- Connect the equipment into an outlet on a circuit different from that to which the receiver is connected.
- Consult the dealer or an experienced radio/TV technician for help.