

# TEST REPORT

**Applicant Name :** Shenzhen Youmi Intelligent Technology Co., Ltd.  
**Address :** 406-407 Jinqi Zhigu Building, 4/F, 1 Tangling Road, Nanshan District, Shenzhen City, China  
**Report Number :** SZNS220913-41417E-20  
**FCC ID:** 2ATZ4-A13PMF3P  
**IC:** 26074-A13PMF3P

## Test Standard (s)

FCC Part 2.1093; RSS-102

## Sample Description

**Product Type:** Smart phone  
**Model No.:** A13 Pro Max  
**Multiple Models:** F3 Pro(Please refer to DOS for Model difference)  
**Trade Mark:** UMIDIGI  
**Date Received:** 2022/09/14  
**Date of Test:** 2022/09/15-2022/09/21  
**Report Date:** 2022/09/29

Test Result:	Pass*
--------------	-------

\* In the configuration tested, the EUT complied with the standards above.

## Prepared and Checked By:



Lance Li  
 EMC Engineer

## Approved By:



Candy Li  
 EMC Engineer

Note: This report may contain data that are not covered by the A2LA accreditation and are marked with an asterisk "★".  
 Shenzhen Accurate Technology Co., Ltd. is not responsible for the authenticity of any test data provided by the applicant. Data included from the applicant that may affect test results are marked with an asterisk "★". Customer model name, addresses, names, trademarks etc. are not considered data.  
 This report cannot be reproduced except in full, without prior written approval of the Company. Unless otherwise stated the results shown in this test report refer only to the sample(s) tested. This report is valid only with a valid digital signature. The digital signature may be available only under the Adobe software above version 7.0.

### Shenzhen Accurate Technology Co., Ltd.

1/F., Building A, Changyuan New Material Port, Science & Industry Park, Nanshan District, Shenzhen, Guangdong, P.R. China  
 Tel: +86 755-26503290 Fax: +86 755-26503396 Web: www.atc-lab.com

Attestation of Test Results			
MODE		Max. SAR Level(s) Reported(W/kg)	Limit (W/kg)
GSM 850	1g Head SAR	0.09	1.6
	1g Body SAR	0.26	
PCS 1900	1g Head SAR	0.28	
	1g Body SAR	0.17	
WCDMA Band 2	1g Head SAR	0.32	
	1g Body SAR	0.15	
WCDMA Band 5	1g Head SAR	0.14	
	1g Body SAR	0.22	
LTE Band 2	1g Head SAR	0.38	
	1g Body SAR	0.15	
LTE Band 5	1g Head SAR	0.12	
	1g Body SAR	0.25	
LTE Band 12	1g Head SAR	0.09	
	1g Body SAR	0.13	
LTE Band 13	1g Head SAR	0.09	
	1g Body SAR	0.11	
LTE Band 41	1g Head SAR	0.10	
	1g Body SAR	0.16	
2.4G Wi-Fi	1g Head SAR	0.30	
	1g Body SAR	0.08	
5.2G Wi-Fi	1g Head SAR	<b>0.39</b>	
	1g Body SAR	<b>0.28</b>	
5.8G Wi-Fi	1g Head SAR	0.39	
	1g Body SAR	0.25	
Bluetooth	1g Head SAR	0.02	
	1g Body SAR	0.02	
Simultaneous	1g Head SAR	<b>0.77</b>	
	1g Body SAR	<b>0.54</b>	
	1g Body SAR	<b>0.54(Hotspot)</b>	

<b>Applicable Standards</b>	<b>FCC 47 CFR part 2.1093</b> Radiofrequency radiation exposure evaluation: portable devices
	<b>RSS-102 Issue 5 Amendment 1 (February 2, 2021)</b> Radio Frequency (RF) Exposure Compliance of Radio communication Apparatus (All Frequency Bands).
	<b>Safety Code 6 Health Canada's Radiofrequency Exposure Guidelines</b> Limits of Human Exposure to Radiofrequency Electromagnetic Energy in the Frequency Range from 3 kHz to 300 GHz
	<b>RF Exposure Procedures: TCB Workshop October 2016(Bluetooth Duty Factor)</b>
	<b>IEC/IEEE 62209-1528:2020</b> Measurement procedure for the assessment of specific absorption rate of human exposure to radio frequency fields from hand-held and body-mounted wireless communication devices – Part 1528: Human models, instrumentation, and procedures (Frequency range of 4 MHz to 10 GHz)
	<b>KDB procedures</b> KDB 447498 D01 General RF Exposure Guidance v06 KDB 648474 D04 Handset SAR v01r03 KDB 865664 D01 SAR Measurement 100 MHz to 6 GHz v01r04 KDB 865664 D02 RF Exposure Reporting v01r02 KDB 941225 D01 3G SAR Procedures v03r01 KDB 941225 D05 SAR for LTE Devices v02r05 KDB 941225 D06 Hotspot Mode v02r01 KDB 248227 D01 802.11 Wi-Fi SAR v02r02
<p><b>Note:</b> This wireless device has been shown to be capable of compliance for localized specific absorption rate (SAR) for General Population/Uncontrolled Exposure limits specified in <b>FCC 47 CFR part 2.1093</b> and has been tested in accordance with the measurement procedures specified in IEEE 62209-1528:2020 and RF exposure KDB procedures.</p> <p><b>The results and statements contained in this report pertain only to the device(s) evaluated.</b></p>	

## TABLE OF CONTENTS

<b>DOCUMENT REVISION HISTORY</b> .....	<b>5</b>
<b>EUT DESCRIPTION</b> .....	<b>6</b>
TECHNICAL SPECIFICATION .....	6
<b>REFERENCE, STANDARDS, AND GUIDELINES</b> .....	<b>7</b>
SAR LIMITS.....	8
<b>FACILITIES</b> .....	<b>9</b>
<b>DESCRIPTION OF TEST SYSTEM</b> .....	<b>10</b>
<b>EQUIPMENT LIST AND CALIBRATION</b> .....	<b>17</b>
EQUIPMENTS LIST & CALIBRATION INFORMATION.....	17
<b>SAR MEASUREMENT SYSTEM VERIFICATION</b> .....	<b>18</b>
LIQUID VERIFICATION .....	18
SYSTEM ACCURACY VERIFICATION.....	21
SAR SYSTEM VALIDATION DATA.....	22
<b>EUT TEST STRATEGY AND METHODOLOGY</b> .....	<b>29</b>
TEST POSITIONS FOR DEVICE OPERATING NEXT TO A PERSON’S EAR .....	29
CHEEK/TOUCH POSITION .....	30
EAR/TILT POSITION .....	30
TEST POSITIONS FOR BODY-WORN AND OTHER CONFIGURATIONS.....	31
TEST DISTANCE FOR SAR EVALUATION.....	31
SAR EVALUATION PROCEDURE .....	32
<b>CONDUCTED OUTPUT POWER MEASUREMENT</b> .....	<b>33</b>
TEST PROCEDURE .....	33
RADIO CONFIGURATION .....	33
MAXIMUM TARGET OUTPUT POWER .....	39
<b>STANDALONE SAR TEST EXCLUSION CONSIDERATIONS</b> .....	<b>53</b>
ANTENNA DISTANCE TO EDGE:.....	56
STANDALONE SAR TEST EXCLUSION CONSIDERATIONS(KDB): .....	57
STANDALONE SAR ESTIMATION (RSS-102):.....	58
SAR TEST EXCLUSION FOR THE EUT EDGE CONSIDERATIONS RESULT .....	59
EXTREMITY EXPOSURE CONFIGURATIONS .....	59
CORRECTED SAR EVALUATION .....	60
<b>SAR MEASUREMENT RESULTS</b> .....	<b>61</b>
SAR TEST DATA .....	61
<b>SAR MEASUREMENT VARIABILITY</b> .....	<b>76</b>
<b>SAR SIMULTANEOUS TRANSMISSION DESCRIPTION</b> .....	<b>77</b>
<b>SAR PLOTS</b> .....	<b>78</b>
<b>APPENDIX A MEASUREMENT UNCERTAINTY</b> .....	<b>79</b>
<b>APPENDIX B EUT TEST POSITION PHOTOS</b> .....	<b>80</b>
<b>APPENDIX C PROBE CALIBRATION CERTIFICATES</b> .....	<b>81</b>
<b>APPENDIX D DIPOLE CALIBRATION CERTIFICATES</b> .....	<b>82</b>

## DOCUMENT REVISION HISTORY

Revision Number	Report Number	Description of Revision	Date of Revision
0	SZNS220913-41417E-20	Original Report	2022/09/29

## EUT DESCRIPTION

This report has been prepared on behalf of *Shenzhen Youmi Intelligent Technology Co., Ltd.* and their product *Smart phone*, Model: **A13 Pro Max**, FCC ID: **2ATZ4-A13PMF3P**; IC: **26074-A13PMF3P** or the EUT (Equipment under Test) as referred to in the rest of this report.

*Notes: This series products model: A13 Pro Max and F3 Pro; According to evaluation and pre-testing, Model A13 Pro Max was the worst case for testing, the detailed information can be referred to the attached declaration which was stated and guaranteed by the applicant.*

### Technical Specification

<b>HVIN</b>	G2213H-MD-V
<b>FVIN</b>	UMIDIGI_A13_Pro_Max_V1.0, UMIDIGI_F3_Pro_V1.0
<b>Device Type:</b>	Portable
<b>Device Size:</b>	A13 Pro Max:168.66mm x 76.5mm x 11.7mm F3 Pro:168.96mm x 77.26mm x 11.7mm
<b>Exposure Category:</b>	Population / Uncontrolled
<b>Antenna Type(s):</b>	Internal Antenna
<b>Power Sensor</b>	None
<b>DTM Type:</b>	Class B
<b>Multi-slot Class:</b>	GPRS(Class 12); EDGE(Class 12)
<b>Power Class</b>	LTE Band 41 for power class 3
<b>Body-Worn Accessories:</b>	Headset
<b>Face-Head Accessories:</b>	None
<b>Proximity Sensor:</b>	None Proximity Sensor for power reduction
<b>Operation Mode :</b>	GSM Voice, GPRS/EDGE Data WCDMA( R99 (Voice+Data), HSDPA/HSUPA/ HSPA+) FDD-LTE, TDD-LTE, Wi-Fi, Bluetooth and NFC
<b>Frequency Band:</b>	GSM 850: 824-849 MHz(TX); 869-894 MHz(RX) PCS 1900: 1850-1910 MHz(TX); 1930-1990 MHz(RX) WCDMA Band 2: 1850-1910 MHz(TX); 1930-1990 MHz(RX) WCDMA Band 5: 824-849 MHz(TX); 869-894 MHz(RX) LTE Band 2: 1850-1910 MHz(TX); 1930-1990 MHz(RX) LTE Band 5: 824-849 MHz(TX) ; 869-894 MHz (RX) LTE Band 12: 698-716 MHz(TX) ; 729-746 MHz(RX) LTE Band 13: 777-787MHz(TX); 746-756MHz(RX) LTE Band 41: 2535-2655 MHz(TX&RX) Wi-Fi 2.4G: 2412 -2472 MHz(TX&RX) Wi-Fi 5.2G:5150-5250MHz(TX&RX) Wi-Fi 5.8G:5725-5850MHz(TX&RX) Bluetooth: 2402 -2480 MHz(TX&RX) BLE: 2402 -2480 MHz(TX&RX) NFC: 13.56MHz
<b>Power Source:</b>	Rechargeable Battery
<b>Normal Operation:</b>	Head and Body-worn

---

## REFERENCE, STANDARDS, AND GUIDELINES

---

### FCC:

The Report and Order requires routine SAR evaluation prior to equipment authorization of portable transmitter devices, including portable telephones. For consumer products, the applicable limit is 1.6 mW/g as recommended by the ANSI/IEEE standard C95.1-1992 [6] for an uncontrolled environment (Paragraph 65). According to the Supplement C of OET Bulletin 65 "Evaluating Compliance with FCC Guide-lines for Human Exposure to Radio frequency Electromagnetic Fields", released on Jun 29, 2001 by the FCC, the device should be evaluated at maximum output power (radiated from the antenna) under "worst-case" conditions for normal or intended use, incorporating normal antenna operating positions, device peak performance frequencies and positions for maximum RF energy coupling.

This report describes the methodology and results of experiments performed on wireless data terminal. The objective was to determine if there is RF radiation and if radiation is found, what is the extent of radiation with respect to safety limits. SAR (Specific Absorption Rate) is the measure of RF exposure determined by the amount of RF energy absorbed by human body (or its parts) – to determine how the RF energy couples to the body or head which is a primary health concern for body worn devices. The limit below which the exposure to RF is considered safe by regulatory bodies in North America is 1.6 mW/g average over 1 gram of tissue mass.

### IC:

The Report and Order requires routine SAR evaluation prior to equipment authorization of portable transmitter devices, including portable telephones. For consumer products, the applicable limit is 1.6 mW/g as recommended by the ISS-102 for an uncontrolled environment. According to the Safety Code 6 Health Canada's Radiofrequency Exposure Guidelines, the device should be evaluated at maximum output power (radiated from the antenna) under "worst-case" conditions for normal or intended use, incorporating normal antenna operating positions, device peak performance frequencies and positions for maximum RF energy coupling.

This report describes the methodology and results of experiments performed on wireless data terminal. The objective was to determine if there is RF radiation and if radiation is found, what is the extent of radiation with respect to safety limits. SAR (Specific Absorption Rate) is the measure of RF exposure determined by the amount of RF energy absorbed by human body (or its parts) – to determine how the RF energy couples to the body or head which is a primary health concern for body worn devices. The limit below which the exposure to RF is considered safe by regulatory bodies in North America is 1.6 mW/g average over 1 gram of tissue mass.

**SAR Limits****FCC Limit(1g Tissue)**

EXPOSURE LIMITS	SAR (W/kg)	
	(General Population / Uncontrolled Exposure Environment)	(Occupational / Controlled Exposure Environment)
Spatial Average (averaged over the whole body)	0.08	0.4
Spatial Peak (averaged over any 1 g of tissue)	<b>1.60</b>	8.0
Spatial Peak (hands/wrists/feet/ankles averaged over 10 g)	4.0	20.0

**IC Limit(1g Tissue)**

EXPOSURE LIMITS	SAR (W/kg)	
	(General Population / Uncontrolled Exposure Environment)	(Occupational / Controlled Exposure Environment)
Spatial Average (averaged over the whole body)	0.08	0.4
Spatial Peak (averaged over any 1 g of tissue)	<b>1.60</b>	8.0
Spatial Peak (hands/wrists/feet/ankles averaged over 10 g)	4.0	20.0

Population/Uncontrolled Environments are defined as locations where there is the exposure of individual who have no knowledge or control of their exposure.

Occupational/Controlled Environments are defined as locations where there is exposure that may be incurred by people who are aware of the potential for exposure (i.e. as a result of employment or occupation).

General Population/Uncontrolled environments Spatial Peak limit 1.6W/kg (IC) applied to the EUT.



---

## **FACILITIES**

---

The test site used by Shenzhen Accurate Technology Co., Ltd. to collect test data is located on the 1/F., Building A, Changyuan New Material Port, Science & Industry Park, Nanshan District, Shenzhen, Guangdong, P.R. China.

The test site has been approved by the FCC under the KDB 974614 D01 and is listed in the FCC Public Access Link (PAL) database, FCC Registration No.: 708358, the FCC Designation No.: CN1189. Accredited by American Association for Laboratory Accreditation (A2LA) The Certificate Number is 4297.01

Listed by Innovation, Science and Economic Development Canada (ISED), the Registration Number is 5077A.

The test site has been registered with ISED Canada under ISED Canada Registration Number CN0016.

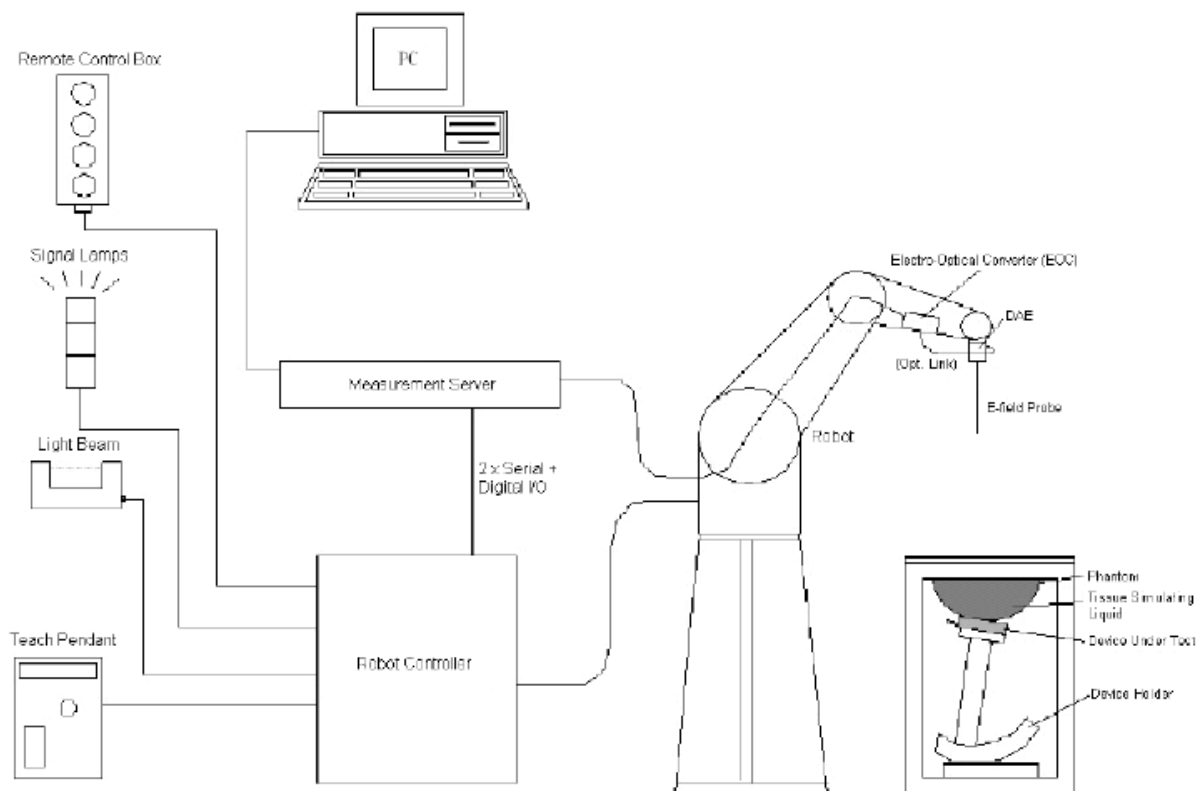
## DESCRIPTION OF TEST SYSTEM

These measurements were performed with the automated near-field scanning system DASY5 from Schmid & Partner Engineering AG (SPEAG) which is the Fifth generation of the system shown in the figure hereinafter:



### DASY5 System Description

The DASY5 system for performing compliance tests consists of the following items:



- A standard high precision 6-axis robot (Staubli TX=RX family) with controller, teach pendant and software. An arm extension for accommodating the data acquisition electronics (DAE).
- An isotropic field probe optimized and calibrated for the targeted measurement.
- A data acquisition electronics (DAE) which performs the signal application, signal multiplexing, AD-conversion, offset measurements, mechanical surface detection, collision detection, etc. The unit is battery powered with standard or rechargeable batteries. The signal is optically transmitted to the EOC.
- The Electro-optical converter (EOC) performs the conversion from optical to electrical signals for the digital communication to the DAE. To use optical surface detection, a special version of the EOC is required. The EOC signal is transmitted to the measurement server.
- The function of the measurement server is to perform the time critical tasks such as signal filtering, control of the robot operation and fast movement interrupts.
- The Light Beam used is for probe alignment. This improves the (absolute) accuracy of the probe positioning.
- A computer running Win7 professional operating system and the DASY52 software.
- Remote control and teach pendant as well as additional circuitry for robot safety such as warning lamps, etc.
- The phantom, the device holder and other accessories according to the targeted measurement.

### **DASY5 Measurement Server**

The DASY5 measurement server is based on a PC/104 CPU board with a 400 MHz Intel ULV Celeron, 128 MB chip-disk and 128 MB RAM. The necessary circuits for communication with the DAE4 (or DAE3) electronics box, as well as the 16-bit AD converter system for optical detection and digital I/O interface are contained on the DASY6 I/O board, which is directly connected to the PC/104 bus of the CPU board.

The measurement server performs all real-time data evaluations of field measurements and surface detection, controls robot movements, and handles safety operations. The PC operating system cannot interfere with these time-critical processes. All connections are supervised by a watchdog, and disconnection of any of the cables to the measurement server will automatically disarm the robot and disable all program-controlled robot movements. Furthermore, the measurement server is equipped with an expansion port, which is reserved for future applications. Please note that this expansion port does not have a standardized pinout, and therefore only devices provided by SPEAG can be connected. Connection of devices from any other supplier could seriously damage the measurement server.

### **Data Acquisition Electronics**

The data acquisition electronics (DAE4) consist of a highly sensitive electrometer-grade preamplifier with auto-zeroing, a channel and gain-switching multiplexer, a fast 16 bit AD-converter and a command decoder with a control logic unit. Transmission to the measurement server is accomplished through an optical downlink for data and status information, as well as an optical uplink for commands and the clock.

The mechanical probe mounting device includes two different sensor systems for frontal and sideways probe contacts. They are used for mechanical surface detection and probe collision detection.

The input impedance of both the DAE4 as well as of the DAE3 box is 200M $\Omega$ ; the inputs are symmetrical and floating. Common mode rejection is above 80 dB.

### EX3DV4 E-Field Probes

<b>Frequency</b>	10 MHz to > 6 GHz Linearity: $\pm 0.2$ dB (30 MHz to 6 GHz)
<b>Directivity</b>	$\pm 0.3$ dB in TSL (rotation around probe axis) $\pm 0.5$ dB in TSL (rotation normal to probe axis)
<b>Dynamic Range</b>	10 $\mu$ W/g to > 100 mW/g Linearity: $\pm 0.2$ dB (noise: typically < 1 $\mu$ W/g)
<b>Dimensions</b>	Overall length: 337 mm (Tip: 20 mm) Tip diameter: 2.5 mm (Body: 12 mm) Typical distance from probe tip to dipole centers: 1 mm
<b>Application</b>	High precision dosimetric measurements in any exposure scenario (e.g., very strong gradient fields); the only probe that enables compliance testing for frequencies up to 6 GHz with precision of better 30%.
<b>Compatibility</b>	DASY3, DASY4, DASY52 SAR and higher, EASY4/MRI

### SAM Twin Phantom

The SAM Twin Phantom (shown in front of DASY5) is a fiberglass shell phantom with shell thickness 2 mm, except in the ear region where the thickness is increased to 6 mm..

When the phantom is mounted inside allocated slot of the DASY5 platform, phantom reference points can be taught directly in the DASY5 V5.2 software. When the DASY5 platform is used to mount the

Phantom, some of the phantom teaching points cannot be reached by the robot in DASY5 V5.2. A special tool called P1a-P2aX-Former is provided to transform two of the three points, P1 and P2, to reachable locations. To use these new teaching points, a revised phantom configuration file is required.

In addition to our standard broadband liquids, the phantom can be used with the following tissue simulating liquids:

Sugar-water-based liquids can be left permanently in the phantom.

Always cover the liquid when the system is not in use to prevent changes in liquid parameters due to water evaporation.

DGBE-based liquids should be used with care. As DGBE is a softener for most plastics, the liquid should be taken out of the phantom, and the phantom should be dried when the system is not in use (desirable at least once a week).

Do not use other organic solvents without previously testing the solvent resistivity of the phantom. Approximately 25 liters of liquid is required to fill the SAM Twin phantom.



## Calibration Frequency Points for EX3DV4 E-Field Probes SN: 7441 Calibrated: 2022/05/16

Calibration Frequency Point(MHz)	Frequency Range(MHz)		Conversion Factor		
	From	To	X	Y	Z
750 Head	650	850	10.04	10.04	10.04
900 Head	850	1000	9.61	9.61	9.61
1450 Head	1350	1550	8.52	8.52	8.52
1750 Head	1650	1850	8.32	8.32	8.32
1900 Head	1850	1950	7.94	7.94	7.94
2000 Head	1950	2100	7.99	7.99	7.99
2300 Head	2200	2400	7.78	7.78	7.78
2450 Head	2400	2550	7.54	7.54	7.54
2600 Head	2550	2700	7.30	7.30	7.30
5250 Head	5140	5360	5.35	5.35	5.35
5600 Head	5490	5700	4.85	4.85	4.85
5750 Head	5700	5860	4.83	4.83	4.83

## Area Scans

Parameter	DUT transmit frequency being tested	
	$f \leq 3$ GHz	$3$ GHz $< f \leq 10$ GHz
Maximum distance between the measured points (geometric centre of the sensors) and the inner phantom surface ( $z_{M1}$ in Figure 20 in mm)	$5 \pm 1$	$\delta \ln(2)/2 \pm 0,5^a$
Maximum spacing between adjacent measured points in mm (see O.8.3.1) <sup>b</sup>	20, or half of the corresponding zoom scan length, whichever is smaller	$60/f$ , or half of the corresponding zoom scan length, whichever is smaller
Maximum angle between the probe axis and the phantom surface normal ( $\alpha$ in Figure 20) <sup>c</sup>	5° (flat phantom only) 30° (other phantoms)	5° (flat phantom only) 20° (other phantoms)
Tolerance in the probe angle	1°	1°

<sup>a</sup>  $\delta$  is the penetration depth for a plane-wave incident normally on a planar half-space.

<sup>b</sup> See Clause O.8 on how  $\Delta x$  and  $\Delta y$  may be selected for individual area scan requirements.

<sup>c</sup> The probe angle relative to the phantom surface normal is restricted due to the degradation in the measurement accuracy in fields with steep spatial gradients. The measurement accuracy decreases with increasing probe angle and increasing frequency. This is the reason for the tighter probe angle restriction at frequencies above 3 GHz.

**Zoom Scan (Cube Scan Averaging)**

Parameter	DUT transmit frequency being tested	
	$f \leq 3$ GHz	$3 \text{ GHz} < f \leq 10$ GHz
Maximum distance between the closest measured points and the phantom surface ( $z_{M1}$ in Figure 20 and Table 3, in mm)	5	$\delta \ln(2)/2$ <sup>a</sup>
Maximum angle between the probe axis and the phantom surface normal ( $\alpha$ in Figure 20)	5° (flat phantom only) 30° (other phantoms)	5° (flat phantom only) 20° (other phantoms)
Maximum spacing between measured points in the $x$ - and $y$ -directions ( $\Delta x$ and $\Delta y$ , in mm)	8	$24/f$ <sup>b</sup>
For uniform grids: Maximum spacing between measured points in the direction normal to the phantom shell ( $\Delta z_1$ in Figure 20, in mm)	5	$10/(f - 1)$
For graded grids: Maximum spacing between the two closest measured points in the direction normal to the phantom shell ( $\Delta z_1$ in Figure 20, in mm)	4	$12/f$
For graded grids: Maximum incremental increase in the spacing between measured points in the direction normal to the phantom shell ( $R_z = \Delta z_2/\Delta z_1$ in Figure 20)	1,5	1,5
Minimum edge length of the zoom scan volume in the $x$ - and $y$ -directions ( $L_z$ in O.8.3.2, in mm)	30	22
Minimum edge length of the zoom scan volume in the direction normal to the phantom shell ( $L_h$ in O.8.3.2 in mm)	30	22
Tolerance in the probe angle	1°	1°
<sup>a</sup> $\delta$ is the penetration depth for a plane-wave incident normally on a planar half-space.		
<sup>b</sup> This is the maximum spacing allowed, which might not work for all circumstances.		

## Tissue Dielectric Parameters for Head

The head tissue dielectric parameters recommended by the IEC 62209-1528-2020

### Recommended Tissue Dielectric Parameters for Head

**Table 2 – Dielectric properties of the tissue-equivalent medium**

Frequency MHz	Real part of the complex relative permittivity, $\epsilon_r'$	Conductivity, $\sigma$ S/m	Penetration depth (E-field), $\delta$ mm
4	55,0	0,75	293,0
13	55,0	0,75	165,5
30	55,0	0,75	112,8
150	52,3	0,76	62,0
300	45,3	0,87	46,1
450	43,5	0,87	43,0
750	41,9	0,89	39,8
835	41,5	0,90	39,0
900	41,5	0,97	36,2
1 450	40,5	1,20	28,6
1 800	40,0	1,40	24,3
1 900	40,0	1,40	24,3
1 950	40,0	1,40	24,3
2 000	40,0	1,40	24,3
2 100	39,8	1,49	22,8
2 450	39,2	1,80	18,7
2 600	39,0	1,96	17,2
3 000	38,5	2,40	14,0
3 500	37,9	2,91	11,4
4 000	37,4	3,43	10,0
4 500	36,8	3,94	9,7

Frequency MHz	Real part of the complex relative permittivity, $\epsilon'_r$	Conductivity, $\sigma$ S/m	Penetration depth (E-field), $\delta$ mm
<i>5 000</i>	<i>36,2</i>	<i>4,45</i>	<i>1,5</i>
<i>5 200</i>	<i>36,0</i>	<i>4,66</i>	<i>8,4</i>
<i>5 400</i>	<i>35,8</i>	<i>4,86</i>	<i>8,1</i>
<i>5 600</i>	<i>35,5</i>	<i>5,07</i>	<i>7,5</i>
<i>5 800</i>	<i>35,3</i>	<i>5,27</i>	<i>7,3</i>
<i>6 000</i>	<i>35,1</i>	<i>5,48</i>	<i>7,0</i>
<i>6 500</i>	<i>34,5</i>	<i>6,07</i>	<i>6,7</i>
<i>7 000</i>	<i>33,9</i>	<i>6,65</i>	<i>6,4</i>
<i>7 500</i>	<i>33,3</i>	<i>7,24</i>	<i>6,1</i>
<i>8 000</i>	<i>32,7</i>	<i>7,84</i>	<i>5,9</i>
<i>8 500</i>	<i>32,1</i>	<i>8,46</i>	<i>5,3</i>
<i>9 000</i>	<i>31,6</i>	<i>9,08</i>	<i>4,8</i>
<i>9 500</i>	<i>31,0</i>	<i>9,71</i>	<i>4,4</i>
<i>10 000</i>	<i>30,4</i>	<i>10,40</i>	<i>4,0</i>

NOTE For convenience, permittivity and conductivity values are linearly interpolated for frequencies that are not a part of the original data from Drossos et al. [2]. They are shown in italics in Table 2. The italicized values are linearly interpolated (below 5800 MHz) or extrapolated (above 5800 MHz) from the non-italicized values that are immediately above and below these values.



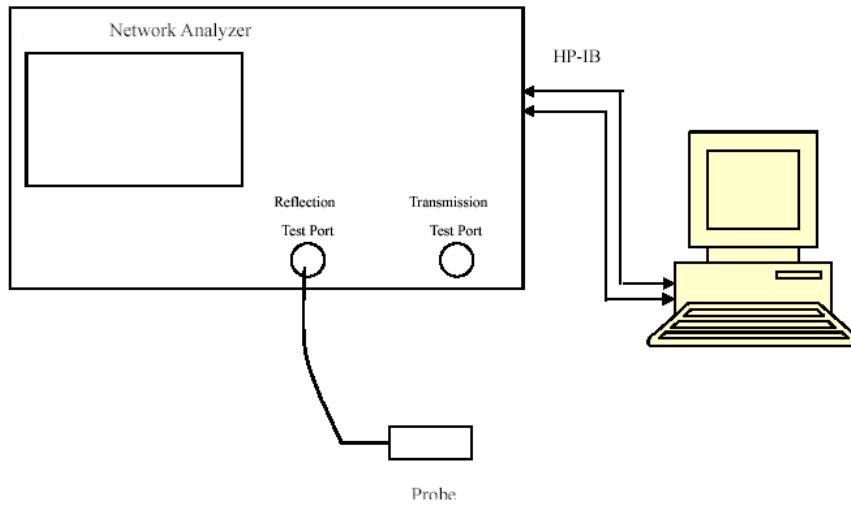
## EQUIPMENT LIST AND CALIBRATION

### Equipments List & Calibration Information

Equipment	Model	S/N	Calibration Date	Calibration Due Date
DASY5 Test Software	DASY52 52.10.4	N/A	NCR	NCR
DASY5 Measurement Server	DASY5 6.0.31	N/A	NCR	NCR
Data Acquisition Electronics	DAE4	1211	2022/03/01	2023/02/28
E-Field Probe	EX3DV4	7441	2022/05/16	2023/05/15
Mounting Device	MD4HHTV5	SD 000 H01 KA	NCR	NCR
SAM Twin Phantom	SAM-Twin V5.0	1744	NCR	NCR
Dipole,750MHz	D750V3	1194	2020/1/13	2023/1/12
Dipole,835MHz	D835V2	4d103	2021/10/27	2024/10/26
Dipole,1900MHz	D1900V2	5d128	2021/10/27	2024/10/26
Dipole,2450MHz	D2450V2	751	2020/10/13	2023/10/12
Dipole,2600MHz	D2600V2	1162	2019/10/2	2022/10/1
Dipole,5GHz	D5GHZV2	1301	2020/01/10	2023/01/09
Simulated Tissue Liquid Head	HBBL600-10000V6	SL AAH U16 BC	Each Time	
Network Analyzer	8753D	3410A08288	2022/7/05	2023/7/04
Dielectric Assessment Kit	DAK-3.5	1320	NCR	NCR
Signal Generator	SMB100A	108362	2021/12/23	2022/12/22
USB wideband power sensor	U2021XA	MY52350001	2021/12/23	2022/12/22
Power Amplifier	CBA 1G-070	T44328	2021/12/23	2022/12/22
Linear Power Amplifier	AS0860-40/45	1060913	2021/12/23	2022/12/22
Directional Coupler	4223-20	3.113.277	2021/12/23	2022/12/22
6dB Attenuator	8493B 6dB Attenuator	2708A 04769	2021/12/23	2022/12/22
Spectrum Analyzer	FSV40	101949	2021/12/13	2022/12/12
Wideband Radio Communication Tester	CMW500	143458	2022/03/02	2023/03/01
Radio Communication Analyzer	MT8821C	6262287697	2022/04/25	2023/04/24

# SAR MEASUREMENT SYSTEM VERIFICATION

## Liquid Verification



Liquid Verification Setup Block Diagram

### Liquid Verification Results

Frequency (MHz)	Liquid Type	Liquid Parameter		Target Value		Delta (%)		Tolerance (%)
		$\epsilon_r$	$\sigma$ (S/m)	$\epsilon_r$	$\sigma$ (S/m)	$\Delta\epsilon_r$	$\Delta\sigma$ (S/m)	
704	Simulated Tissue Liquid Head	43.161	0.876	42.15	0.89	2.40	-1.57	$\pm 5$
707.5	Simulated Tissue Liquid Head	42.978	0.881	42.13	0.89	2.01	-1.01	$\pm 5$
711	Simulated Tissue Liquid Head	42.888	0.879	42.11	0.89	1.85	-1.24	$\pm 5$
750	Simulated Tissue Liquid Head	42.774	0.872	41.90	0.89	2.09	-2.02	$\pm 5$
782	Simulated Tissue Liquid Head	42.631	0.883	41.75	0.89	2.11	-0.79	$\pm 5$

\*Liquid Verification above was performed on 2022/09/19.

Frequency (MHz)	Liquid Type	Liquid Parameter		Target Value		Delta (%)		Tolerance (%)
		$\epsilon_r$	$\sigma$ (S/m)	$\epsilon_r$	$\sigma$ (S/m)	$\Delta\epsilon_r$	$\Delta\sigma$ (S/m)	
824.2	Simulated Tissue Liquid Head	42.413	0.903	41.55	0.90	2.08	0.33	$\pm 5$
826.4	Simulated Tissue Liquid Head	42.326	0.903	41.54	0.90	1.89	0.33	$\pm 5$
829	Simulated Tissue Liquid Head	42.794	0.908	41.53	0.90	3.04	0.89	$\pm 5$
835	Simulated Tissue Liquid Head	42.754	0.909	41.50	0.90	3.02	1	$\pm 5$
836.5	Simulated Tissue Liquid Head	42.272	0.904	41.50	0.90	1.86	0.44	$\pm 5$
836.6	Simulated Tissue Liquid Head	42.272	0.904	41.50	0.90	1.86	0.44	$\pm 5$
844	Simulated Tissue Liquid Head	42.609	0.906	41.50	0.91	2.67	-0.44	$\pm 5$
846.6	Simulated Tissue Liquid Head	42.57	0.916	41.50	0.91	2.58	0.66	$\pm 5$
848.8	Simulated Tissue Liquid Head	42.258	0.924	41.50	0.91	1.83	1.54	$\pm 5$

\*Liquid Verification above was performed on 2022/09/15.

Frequency (MHz)	Liquid Type	Liquid Parameter		Target Value		Delta (%)		Tolerance (%)
		$\epsilon_r$	$\sigma$ (S/m)	$\epsilon_r$	$\sigma$ (S/m)	$\Delta\epsilon_r$	$\Delta\sigma$ (S/m)	
1850.2	Simulated Tissue Liquid Head	40.221	1.404	40	1.4	0.55	0.29	$\pm 5$
1852.4	Simulated Tissue Liquid Head	40.008	1.402	40	1.4	0.02	0.14	$\pm 5$
1860	Simulated Tissue Liquid Head	40.385	1.416	40	1.4	0.96	1.14	$\pm 5$
1880	Simulated Tissue Liquid Head	39.633	1.423	40	1.4	-0.92	1.64	$\pm 5$
1900	Simulated Tissue Liquid Head	39.05	1.422	40	1.4	-2.38	1.57	$\pm 5$
1907.6	Simulated Tissue Liquid Head	40.078	1.423	40	1.4	0.20	1.64	$\pm 5$
1909.8	Simulated Tissue Liquid Head	39.881	1.421	40	1.4	-0.30	1.5	$\pm 5$

\*Liquid Verification above was performed on 2022/09/17.

Frequency (MHz)	Liquid Type	Liquid Parameter		Target Value		Delta (%)		Tolerance (%)
		$\epsilon_r$	$\sigma$ (S/m)	$\epsilon_r$	$\sigma$ (S/m)	$\Delta\epsilon_r$	$\Delta\sigma$	
2402	Simulated Tissue Liquid Head	39.637	1.802	39.26	1.78	0.96	1.24	$\pm 5$
2412	Simulated Tissue Liquid Head	39.43	1.809	39.26	1.78	0.43	1.63	$\pm 5$
2441	Simulated Tissue Liquid Head	39.423	1.816	39.22	1.79	0.52	1.45	$\pm 5$
2442	Simulated Tissue Liquid Head	39.423	1.816	39.22	1.79	0.52	1.45	$\pm 5$
2450	Simulated Tissue Liquid Head	39.494	1.829	39.20	1.80	0.75	1.61	$\pm 5$
2472	Simulated Tissue Liquid Head	39.281	1.828	39.18	1.81	0.26	0.99	$\pm 5$
2480	Simulated Tissue Liquid Head	39.31	1.84	39.18	1.81	0.33	1.66	$\pm 5$

\*Liquid Verification above was performed on 2022/09/20.

Frequency (MHz)	Liquid Type	Liquid Parameter		Target Value		Delta (%)		Tolerance (%)
		$\epsilon_r$	$\sigma$ (S/m)	$\epsilon_r$	$\sigma$ (S/m)	$\Delta\epsilon_r$	$\Delta\sigma$ (S/m)	
2545	Simulated Tissue Liquid Head	39.531	1.937	39.07	1.90	1.18	1.95	$\pm 5$
2570	Simulated Tissue Liquid Head	39.233	1.963	39.03	1.94	0.52	1.19	$\pm 5$
2595	Simulated Tissue Liquid Head	39.426	1.991	39.01	1.95	1.07	2.1	$\pm 5$
2600	Simulated Tissue Liquid Head	39.318	1.991	39.00	1.96	0.82	1.58	$\pm 5$
2620	Simulated Tissue Liquid Head	39.322	2.006	38.99	1.97	0.85	1.83	$\pm 5$
2645	Simulated Tissue Liquid Head	39.261	2.03	38.94	2.01	0.82	1.00	$\pm 5$

\*Liquid Verification above was performed on 2022/09/20.

Frequency (MHz)	Liquid Type	Liquid Parameter		Target Value		Delta (%)		Tolerance (%)
		$\epsilon_r$	$\sigma$ (S/m)	$\epsilon_r$	$\sigma$ (S/m)	$\Delta\epsilon_r$	$\Delta\sigma$	
5180	Simulated Tissue Liquid Head	34.951	4.607	36.02	4.65	-2.97	-0.92	$\pm 5$
5200	Simulated Tissue Liquid Head	35.217	4.619	36.00	4.66	-2.18	-0.88	$\pm 5$
5240	Simulated Tissue Liquid Head	35.446	4.658	35.96	4.70	-1.43	-0.89	$\pm 5$
5250	Simulated Tissue Liquid Head	35.312	4.672	35.95	4.71	-1.77	-0.81	$\pm 5$

\*Liquid Verification above was performed on 2022/09/21.

Frequency (MHz)	Liquid Type	Liquid Parameter		Target Value		Delta (%)		Tolerance (%)
		$\epsilon_r$	$\sigma$ (S/m)	$\epsilon_r$	$\sigma$ (S/m)	$\Delta\epsilon_r$	$\Delta\sigma$	
5745	Simulated Tissue Liquid Head	34.529	5.191	35.36	5.21	-2.35	-0.36	$\pm 5$
5785	Simulated Tissue Liquid Head	34.636	5.227	35.32	5.26	-1.94	-0.63	$\pm 5$
5800	Simulated Tissue Liquid Head	34.607	5.263	35.30	5.27	-1.96	-0.13	$\pm 5$
5825	Simulated Tissue Liquid Head	34.606	5.258	35.28	5.29	-1.91	-0.6	$\pm 5$

\*Liquid Verification above was performed on 2022/09/21.

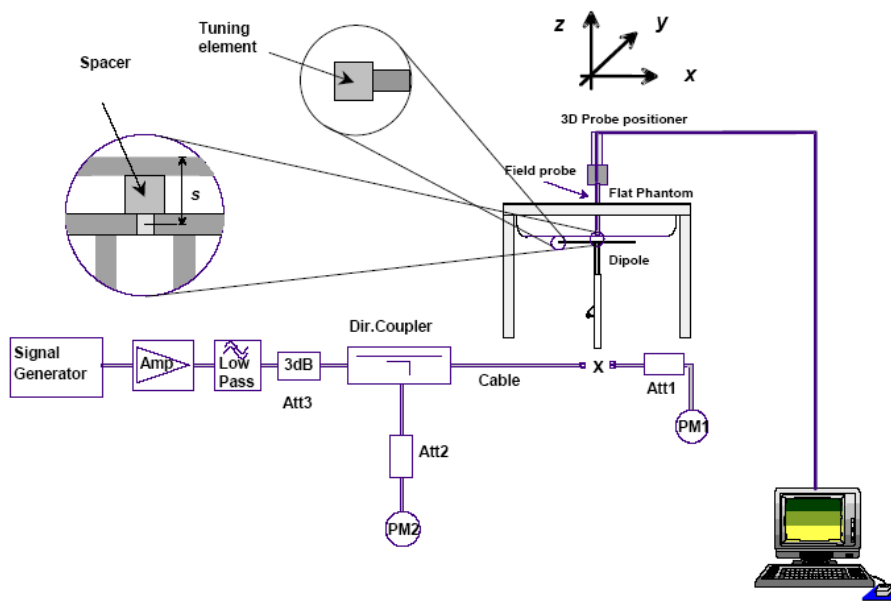
### System Accuracy Verification

Prior to the assessment, the system validation kit was used to test whether the system was operating within its specifications of  $\pm 10\%$ . The validation results are tabulated below. And also the corresponding SAR plot is attached as well in the SAR plots files.

The spacing distances in the **System Verification Setup Block Diagram** is given by the following:

- a)  $s = 15 \text{ mm} \pm 0,2 \text{ mm}$  for  $300 \text{ MHz} \leq f \leq 1 \text{ 000 MHz}$ ;
- b)  $s = 10 \text{ mm} \pm 0,2 \text{ mm}$  for  $1 \text{ 000 MHz} < f \leq 3 \text{ 000 MHz}$ ;
- c)  $s = 10 \text{ mm} \pm 0,2 \text{ mm}$  for  $3 \text{ 000 MHz} < f \leq 6 \text{ 000 MHz}$ .

### System Verification Setup Block Diagram



### System Accuracy Check Results

Date	Frequency Band	Liquid Type	Input Power (mW)	Measured SAR (W/kg)		Normalized to 1W (W/kg)	Target Value (W/kg)	Delta (%)	Tolerance (%)
2022/09/19	750 MHz	Head	100	1g	0.868	8.68	8.55	1.520	$\pm 10$
2022/09/15	835 MHz	Head	100	1g	0.938	9.38	9.65	-2.798	$\pm 10$
2022/09/17	1900 MHz	Head	100	1g	4.11	41.1	40.0	2.750	$\pm 10$
2022/09/20	2450 MHz	Head	100	1g	5.49	54.9	53.0	3.585	$\pm 10$
2022/09/20	2600 MHz	Head	100	1g	5.72	57.2	55.4	3.249	$\pm 10$
2022/09/21	5250 MHz	Head	100	1g	7.72	77.2	80.7	-4.337	$\pm 10$
2022/09/21	5800 MHz	Head	100	1g	7.69	76.9	80.2	-4.115	$\pm 10$

\*The SAR values above are normalized to 1 Watt forward power.

## SAR SYSTEM VALIDATION DATA

### System Performance 750 MHz

**DUT: Dipole 750MHz; Type: D750V3; Serial: 1194**

Communication System: UID 0, CW (0); Frequency: 750 MHz; Duty Cycle: 1:1

Medium parameters used:  $f = 750 \text{ MHz}$ ;  $\sigma = 0.872 \text{ S/m}$ ;  $\epsilon_r = 42.774$ ;  $\rho = 1000 \text{ kg/m}^3$

Phantom section: Flat Section

DASY5 Configuration:

- Probe: EX3DV4- SN7441; ConvF(10.04, 10.04, 10.04); Calibrated: 2022/05/16
- Sensor-Surface: 4mm (Mechanical Surface Detection)
- Electronics: DAE4 Sn1211; Calibrated: 2022/03/01
- Phantom: Twin SAM; Type: QD000P40CD; Serial: 1744
- Measurement SW: DASY52, Version 52.10 (4); SEMCAD X Version 14.6.14 (7501)

**System Performance Check at 750MHz/d=15mm, Pin=100mw/Area Scan (71x91x1):** Measurement grid: dx=15mm, dy=15mm

Maximum value of SAR (interpolated) = 0.845 W/kg

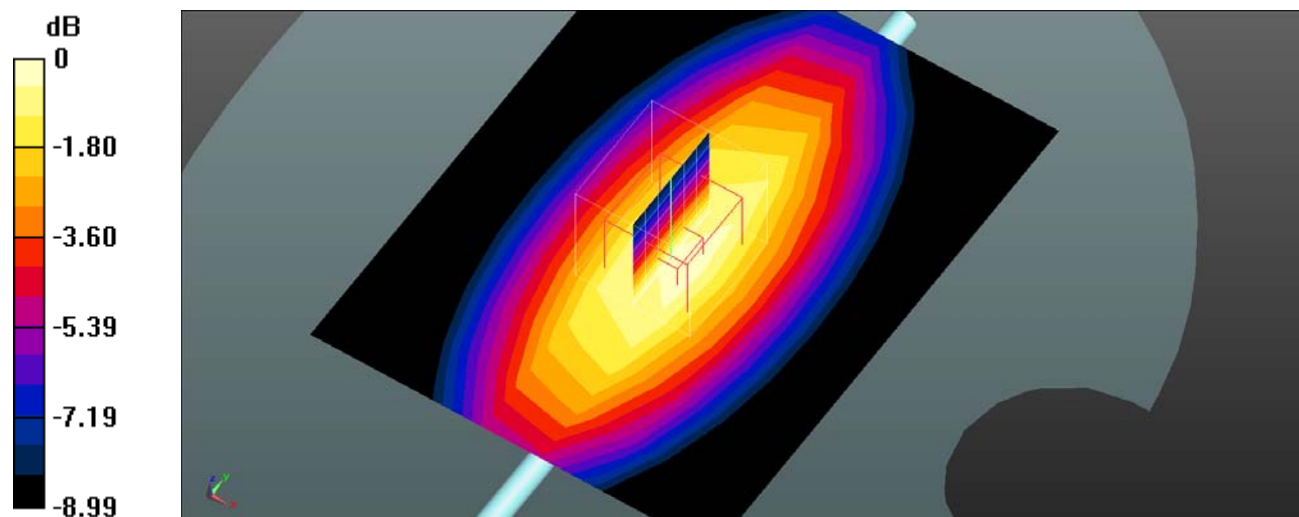
**System Performance Check at 750MHz/d=15mm, Pin=100mw/Zoom Scan (7x7x7)/Cube 0:** Measurement grid: dx=5mm, dy=5mm, dz=5mm

Reference Value = 34.59 V/m; Power Drift = -0.14 dB

Peak SAR (extrapolated) = 1.09 W/kg

**SAR(1 g) = 0.868 W/kg; SAR(10 g) = 0.521 W/kg**

Maximum value of SAR (measured) = 0.841 W/kg



0 dB = 0.841 W/kg = -0.75 dBW/kg

**System Performance 835 MHz****DUT: D835V3; Type: 835 MHz; Serial: 4d103**

Communication System: UID 0, CW (0); Frequency: 835 MHz; Duty Cycle: 1:1

Medium parameters used:  $f = 835 \text{ MHz}$ ;  $\sigma = 0.909 \text{ S/m}$ ;  $\epsilon_r = 42.754$ ;  $\rho = 1000 \text{ kg/m}^3$ 

Phantom section: Flat Section

DASY5 Configuration:

- Probe: EX3DV4- SN7441; ConvF(10.04, 10.04, 10.04); Calibrated: 2022/05/16
- Sensor-Surface: 4mm (Mechanical Surface Detection)
- Electronics: DAE4 Sn1211; Calibrated: 2022/03/01
- Phantom: Twin SAM; Type: QD000P40CD; Serial: 1744
- Measurement SW: DASY52, Version 52.10 (4); SEMCAD X Version 14.6.14 (7501)

**System Performance Check at 835MHz/d=15mm, Pin=100mw/Area Scan (71x91x1):** Measurement grid: dx=15mm, dy=15mm

Maximum value of SAR (interpolated) = 0.967 W/kg

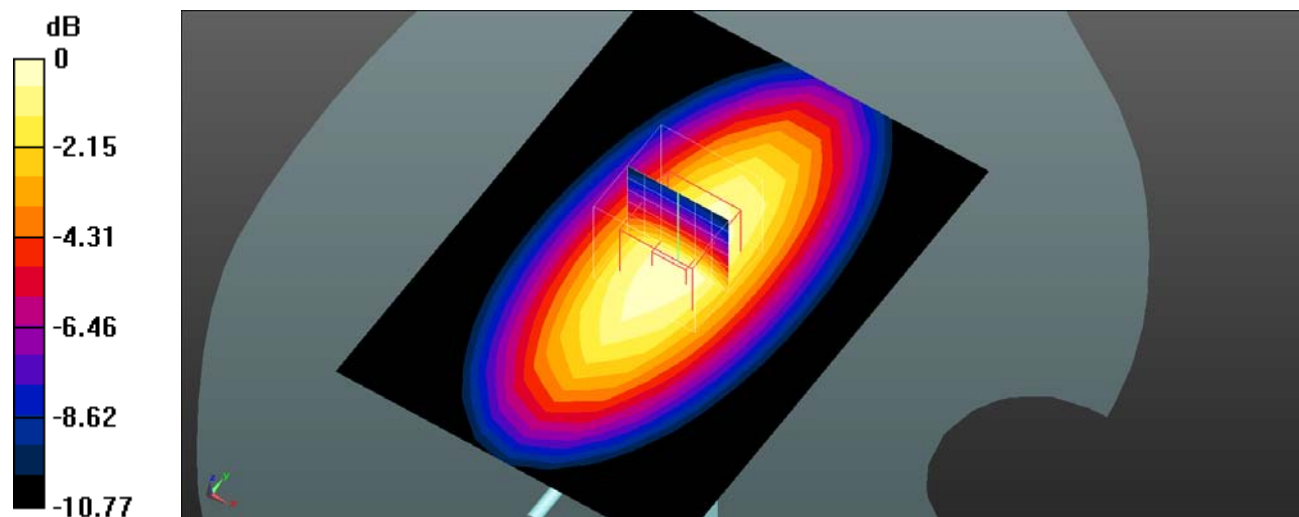
**System Performance Check at 835MHz/d=15mm, Pin=100mw/Zoom Scan (7x7x7)/Cube 0:** Measurement grid: dx=5mm, dy=5mm, dz=5mm

Reference Value = 33.28 V/m; Power Drift = -0.06 dB

Peak SAR (extrapolated) = 1.22 W/kg

**SAR(1 g) = 0.938 W/kg; SAR(10 g) = 0.605 W/kg**

Maximum value of SAR (measured) = 1.07 W/kg



0 dB = 1.07 W/kg = 0.29 dBW/kg

**System Performance 1900MHz****DUT: D1900V2; Type: 1900 MHz; Serial: 5d128**

Communication System: UID 0, CW (0); Frequency: 1900 MHz; Duty Cycle: 1:1

Medium parameters used:  $f = 1900 \text{ MHz}$ ;  $\sigma = 1.422 \text{ S/m}$ ;  $\epsilon_r = 39.05$ ;  $\rho = 1000 \text{ kg/m}^3$ 

Phantom section: Flat Section

DASY5 Configuration:

- Probe: EX3DV4- SN7441; ConvF(7.94, 7.94, 7.94); Calibrated: 2022/05/16
- Sensor-Surface: 4mm (Mechanical Surface Detection)
- Electronics: DAE4 Sn1211; Calibrated: 2022/03/01
- Phantom: Twin SAM; Type: QD000P40CD; Serial: 1744
- Measurement SW: DASY52, Version 52.10 (4); SEMCAD X Version 14.6.14 (7501)

**System Performance Check at 1900MHz/d=10mm, Pin=100mw/Area Scan (71x111x1):** Measurement grid:

dx=15mm, dy=15mm

Maximum value of SAR (interpolated) = 4.67 W/kg

**System Performance Check at 1900MHz/d=10mm, Pin=100mw/Zoom Scan (7x7x7)/Cube 0:** Measurement grid:

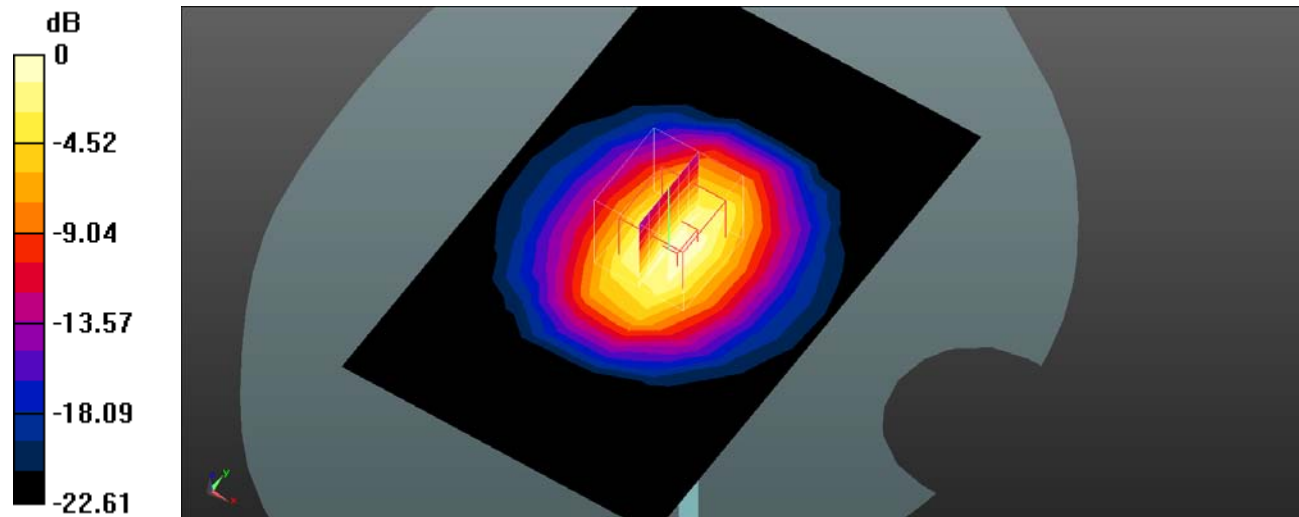
dx=5mm, dy=5mm, dz=5mm

Reference Value = 60.16 V/m; Power Drift = -0.01 dB

Peak SAR (extrapolated) = 5.65 W/kg

**SAR(1 g) = 4.11 W/kg; SAR(10 g) = 2.11 W/kg**

Maximum value of SAR (measured) = 4.37 W/kg



0 dB = 4.37 W/kg = 6.40 dBW/kg



## System Performance 2450MHz

**DUT: D2450V2; Type: 2450 MHz; Serial: 751**

Communication System: UID 0, CW (0); Frequency: 2450 MHz; Duty Cycle: 1:1

Medium parameters used:  $f = 2450$  MHz;  $\sigma = 1.829$  S/m;  $\epsilon_r = 39.494$ ;  $\rho = 1000$  kg/m<sup>3</sup>

Phantom section: Flat Section

DASY5 Configuration:

- Probe: EX3DV4- SN7441; ConvF(7.54, 7.54, 7.54); Calibrated: 2022/05/16
- Sensor-Surface: 4mm (Mechanical Surface Detection)
- Electronics: DAE4 Sn1211; Calibrated: 2022/03/01
- Phantom: Twin SAM; Type: QD000P40CD; Serial: 1744
- Measurement SW: DASY52, Version 52.10 (4); SEMCAD X Version 14.6.14 (7501)

**System Performance Check at 2450MHz/d=10mm, Pin=100mw/Area Scan (101x111x1):** Measurement grid:

$dx=10$ mm,  $dy=10$ mm

Maximum value of SAR (interpolated) = 6.31 W/kg

**System Performance Check at 2450MHz/d=10mm, Pin=100mw/Zoom Scan (7x7x7)/Cube 0:** Measurement grid:

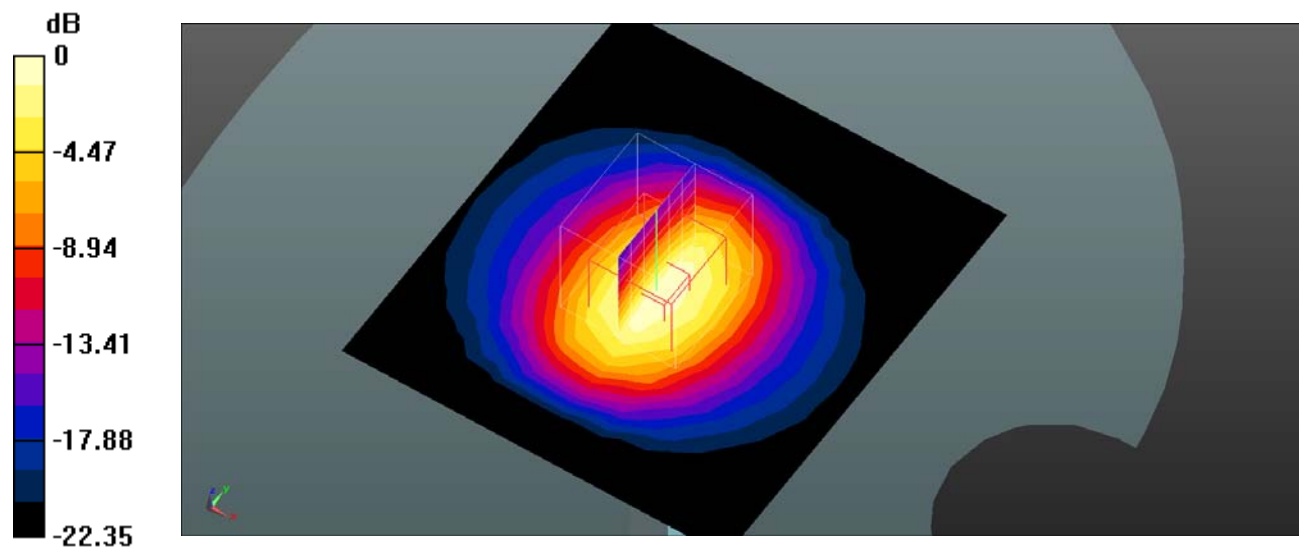
$dx=5$ mm,  $dy=5$ mm,  $dz=5$ mm

Reference Value = 56.18 V/m; Power Drift = -0.01 dB

Peak SAR (extrapolated) = 11.2 W/kg

**SAR(1 g) = 5.49 W/kg; SAR(10 g) = 2.52 W/kg**

Maximum value of SAR (measured) = 6.26 W/kg



0 dB = 6.26 W/kg = 7.97 dBW/kg

**System Performance 2600MHz****DUT: D2600V2; Type: 2600 MHz; Serial: 1162**

Communication System: UID 0, CW (0); Frequency: 2600 MHz; Duty Cycle: 1:1

Medium parameters used:  $f = 2600$  MHz;  $\sigma = 1.991$  S/m;  $\epsilon_r = 39.318$ ;  $\rho = 1000$  kg/m<sup>3</sup>

Phantom section: Flat Section

DASY5 Configuration:

- Probe: EX3DV4- SN7441; ConvF(7.3, 7.3, 7.3); Calibrated: 2022/05/16
- Sensor-Surface: 4mm (Mechanical Surface Detection)
- Electronics: DAE4 Sn1211; Calibrated: 2022/03/01
- Phantom: Twin SAM; Type: QD000P40CD; Serial: 1744
- Measurement SW: DASY52, Version 52.10 (4); SEMCAD X Version 14.6.14 (7501)

**System Performance Check at 2600MHz/d=10mm, Pin=100mw/Area Scan (101x131x1):** Measurement grid:

dx=10mm, dy=10mm

Maximum value of SAR (interpolated) = 6.84 W/kg

**System Performance Check at 2600MHz/d=10mm, Pin=100mw/Zoom Scan (7x7x7)/Cube 0:** Measurement grid:

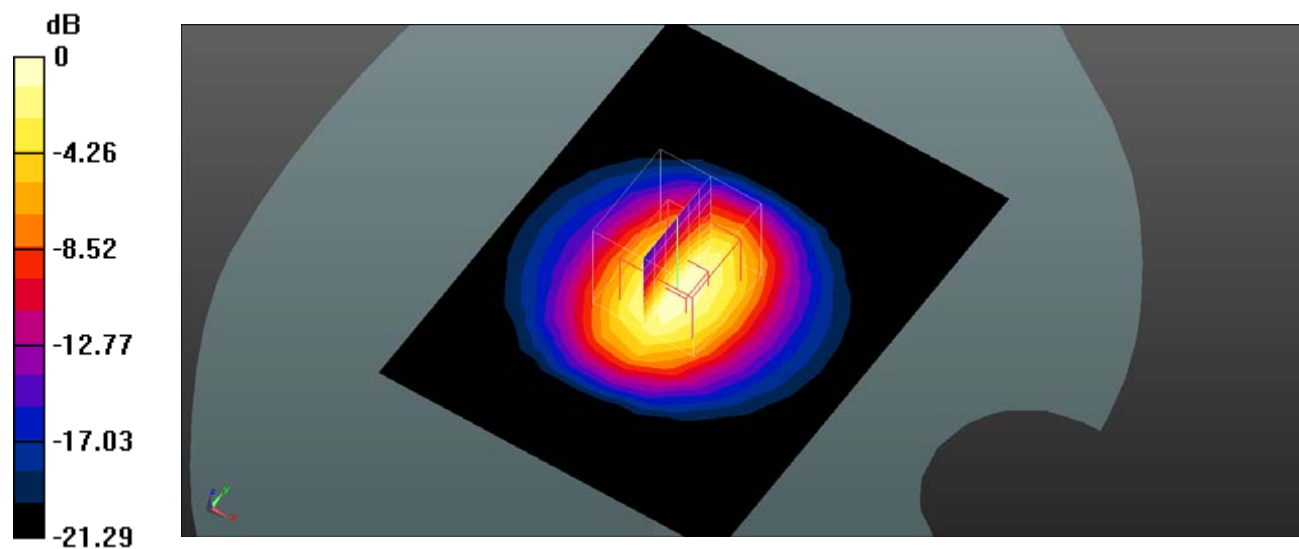
dx=5mm, dy=5mm, dz=5mm

Reference Value = 56.02 V/m; Power Drift = -0.04 dB

Peak SAR (extrapolated) = 12.1 W/kg

**SAR(1 g) = 5.72 W/kg; SAR(10 g) = 2.56 W/kg**

Maximum value of SAR (measured) = 6.53 W/kg



0 dB = 6.53 W/kg = 8.15 dBW/kg

**System Performance 5250 MHz****DUT: Dipole 5GHz Type: D5GHZV2; Serial: 1301**

Communication System: UID 0, CW (0); Frequency: 5250 MHz; Duty Cycle: 1:1

Medium parameters used:  $f = 5250$  MHz;  $\sigma = 4.672$  S/m;  $\epsilon_r = 35.312$ ;  $\rho = 1000$  kg/m<sup>3</sup>

Phantom section: Flat Section

DASY5 Configuration:

- Probe: EX3DV4- SN7441; ConvF(5.35, 5.35, 5.35); Calibrated: 2022/05/16
- Sensor-Surface: 4mm (Mechanical Surface Detection)
- Electronics: DAE4 Sn1211; Calibrated: 2022/03/01
- Phantom: Twin SAM; Type: QD000P40CD; Serial: 1744
- Measurement SW: DASY52, Version 52.10 (4); SEMCAD X Version 14.6.14 (7501)

**System Performance Check at 5250MHz/d=10mm, Pin=100mw/Area Scan (61x81x1):** Measurement grid: dx=10mm, dy=10mm

Maximum value of SAR (interpolated) = 17.5 W/kg

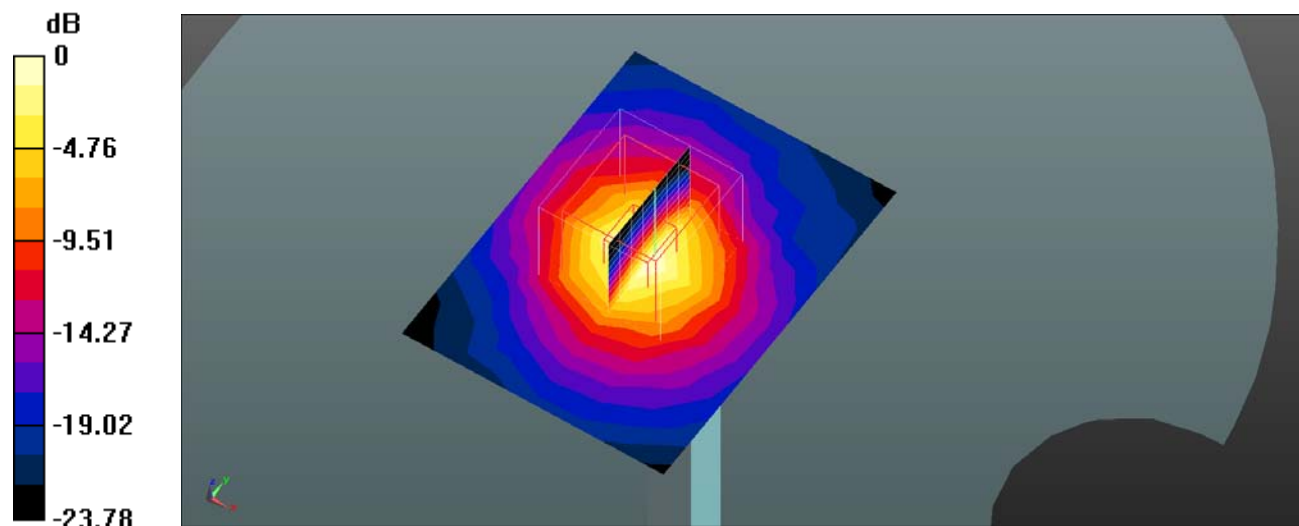
**System Performance Check at 5250MHz/d=10mm, Pin=100mw/Zoom Scan (8x8x12)/Cube 0:** Measurement grid: dx=4mm, dy=4mm, dz=2mm

Reference Value = 46.85 V/m; Power Drift = 0.03 dB

Peak SAR (extrapolated) = 25.8 W/kg

**SAR(1 g) = 7.72 W/kg; SAR(10 g) = 2.23 W/kg**

Maximum value of SAR (measured) = 16.1 W/kg



0 dB = 16.1 W/kg = 12.07 dBW/kg

**System Performance 5800 MHz****DUT: Dipole 5GHz Type: D5GHZV2; Serial: 1301**

Communication System: UID 0, CW (0); Frequency: 5800 MHz; Duty Cycle: 1:1

Medium parameters used:  $f = 5800$  MHz;  $\sigma = 5.263$  S/m;  $\epsilon_r = 34.607$ ;  $\rho = 1000$  kg/m<sup>3</sup>

Phantom section: Flat Section

DASY5 Configuration:

- Probe: EX3DV4- SN7441; ConvF(4.83, 4.83, 4.83); Calibrated: 2022/05/16
- Sensor-Surface: 4mm (Mechanical Surface Detection)
- Electronics: DAE4 Sn1211; Calibrated: 2022/03/01
- Phantom: Twin SAM; Type: QD000P40CD; Serial: 1744
- Measurement SW: DASY52, Version 52.10 (4); SEMCAD X Version 14.6.14 (7501)

**System Performance Check at 5800MHz/d=10mm, Pin=100mw/Area Scan (61x81x1):** Measurement grid: dx=10mm, dy=10mm

Maximum value of SAR (interpolated) = 18.2 W/kg

**System Performance Check at 5800MHz/d=10mm, Pin=100mw/Zoom Scan (8x8x12)/Cube 0:** Measurement grid:

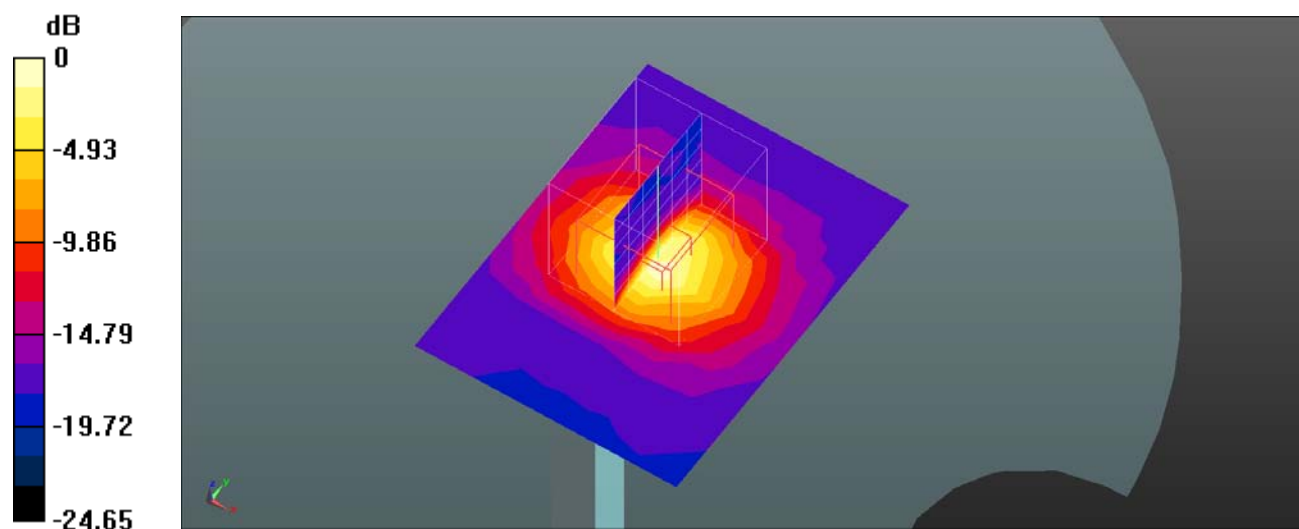
dx=4mm, dy=4mm, dz=2mm

Reference Value = 48.54 V/m; Power Drift = -0.02 dB

Peak SAR (extrapolated) = 26.8 W/kg

**SAR(1 g) = 7.69 W/kg; SAR(10 g) = 2.18 W/kg**

Maximum value of SAR (measured) = 17.5 W/kg



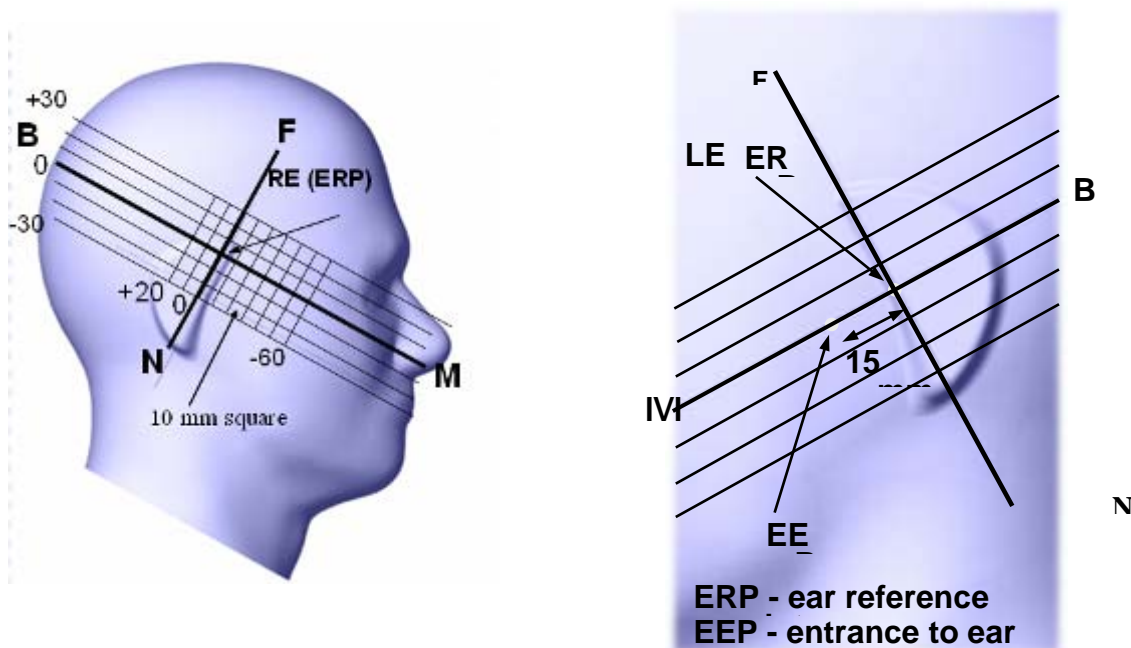
0 dB = 17.5 W/kg = 12.43 dBW/kg

## EUT TEST STRATEGY AND METHODOLOGY

### Test Positions for Device Operating Next to a Person’s Ear

This category includes most wireless handsets with fixed, retractable or internal antennas located toward the top half of the device, with or without a foldout, sliding or similar keypad cover. The handset should have its earpiece located within the upper ¼ of the device, either along the centerline or off-centered, as perceived by its users. This type of handset should be positioned in a normal operating position with the “test device reference point” located along the “vertical centerline” on the front of the device aligned to the “ear reference point”. The “test device reference point” should be located at the same level as the center of the earpiece region. The “vertical centerline” should bisect the front surface of the handset at its top and bottom edges. A “ear reference point” is located on the outer surface of the head phantom on each ear spacer. It is located 1.5 cm above the center of the ear canal entrance in the “phantom reference plane” defined by the three lines joining the center of each “ear reference point” (left and right) and the tip of the mouth.

A handset should be initially positioned with the earpiece region pressed against the ear spacer of a head phantom. For the SCC-34/SC-2 head phantom, the device should be positioned parallel to the “N-F” line defined along the base of the ear spacer that contains the “ear reference point”. For interim head phantoms, the device should be positioned parallel to the cheek for maximum RF energy coupling. The “test device reference point” is aligned to the “ear reference point” on the head phantom and the “vertical centerline” is aligned to the “phantom reference plane”. This is called the “initial ear position”. While maintaining these three alignments, the body of the handset is gradually adjusted to each of the following positions for evaluating SAR:



## Cheek/Touch Position

The device is brought toward the mouth of the head phantom by pivoting against the “ear reference point” or along the “N-F” line for the SCC-34/SC-2 head phantom.

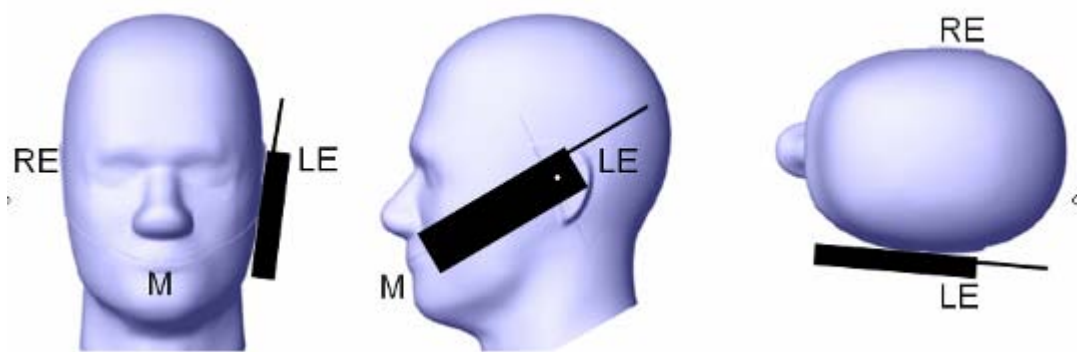
This test position is established:

When any point on the display, keypad or mouthpiece portions of the handset is in contact with the phantom.

(or) When any portion of a foldout, sliding or similar keypad cover opened to its intended self-adjusting normal use position is in contact with the cheek or mouth of the phantom.

For existing head phantoms – when the handset loses contact with the phantom at the pivoting point, rotation should continue until the device touches the cheek of the phantom or breaks its last contact from the ear spacer.

### Cheek /Touch Position



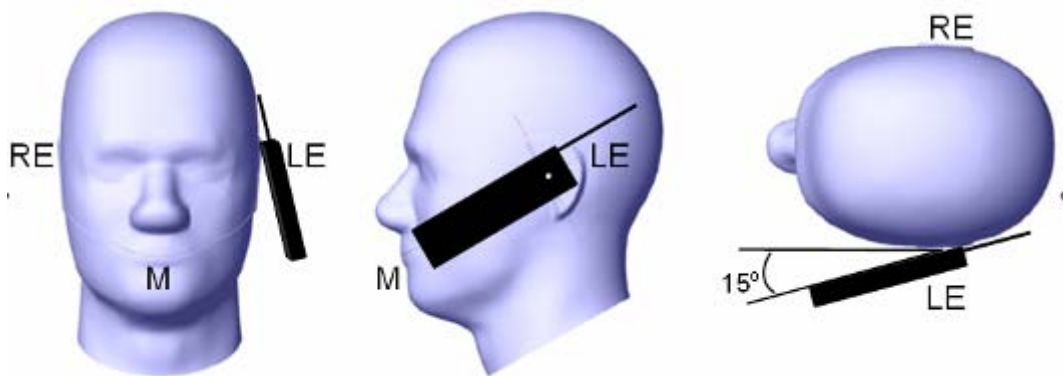
## Ear/Tilt Position

With the handset aligned in the “Cheek/Touch Position”:

1) If the earpiece of the handset is not in full contact with the phantom’s ear spacer (in the “Cheek/Touch position”) and the peak SAR location for the “Cheek/Touch” position is located at the ear spacer region or corresponds to the earpiece region of the handset, the device should be returned to the “initial ear position” by rotating it away from the mouth until the earpiece is in full contact with the ear spacer.

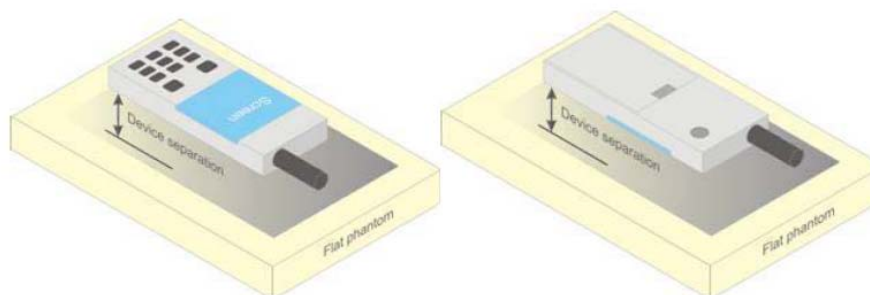
2) (otherwise) The handset should be moved (translated) away from the cheek perpendicular to the line passes through both “ear reference points” (note: one of these ear reference points may not physically exist on a split head model) for approximate 2-3 cm. While it is in this position, the device handset is tilted away from the mouth with respect to the “test device reference point” until the inside angle between the vertical centerline on the front surface of the phone and the horizontal line passing through the ear reference point is by 15 80°. After the tilt, it is then moved (translated) back toward the head perpendicular to the line passes through both “ear reference points” until the device touches the phantom or the ear spacer. If the antenna touches the head first, the positioning process should be repeated with a tilt angle less than 15° so that the device and its antenna would touch the phantom simultaneously. This test position may require a device holder or positioner to achieve the translation and tilting with acceptable positioning repeatability.

If a device is also designed to transmit with its keypad cover closed for operating in the head position, such positions should also be considered in the SAR evaluation. The device should be tested on the left and right side of the head phantom in the “Cheek/Touch” and “Ear/Tilt” positions. When applicable, each configuration should be tested with the antenna in its fully extended and fully retracted positions. These test configurations should be tested at the high, middle and low frequency channels of each operating mode; for example, AMPS, CDMA, and TDMA. If the SAR measured at the middle channel for each test configuration (left, right, Cheek/Touch, Tilt/Ear, extended and retracted) is at least 2.0 dB lower than the SAR limit, testing at the high and low channels is optional for such test configuration(s). If the transmission band of the test device is less than 10 MHz, testing at the high and low frequency channels is optional.

**Ear /Tilt 15° Position****Test positions for body-worn and other configurations**

Body-worn operating configurations should be tested with the belt-clips and holsters attached to the device and positioned against a flat phantom in normal use configurations. Devices with a headset output should be tested with a headset connected to the device. When multiple accessories that do not contain metallic components are supplied with the device, the device may be tested with only the accessory that dictates the closest spacing to the body. When multiple accessories that contain metallic components are supplied with the device, the device must be tested with each accessory that contains a unique metallic component. If multiple accessories share an identical metallic component (e.g., the same metallic belt-clip used with different holsters with no other metallic components), only the accessory that dictates the closest spacing to the body must be tested.

Body-worn accessories may not always be supplied or available as options for some devices that are intended to be authorized for body-worn use. A separation distance of 1.5 cm between the back of the device and a flat phantom is recommended for testing body-worn SAR compliance under such circumstances. Other separation distances may be used, but they should not exceed 2.5 cm. In these cases, the device may use body-worn accessories that provide a separation distance greater than that tested for the device provided however that the accessory contains no metallic components.



**Figure 5 – Test positions for body-worn devices**

**Test Distance for SAR Evaluation**

For this case the EUT(Equipment Under Test) is set 10mm away from the phantom, the test distance is 10mm.

## SAR Evaluation Procedure

The evaluation was performed with the following procedure:

Step 1: Measurement of the SAR value at a fixed location above the ear point or central position was used as a reference value for assessing the power drop. The SAR at this point is measured at the start of the test and then again at the end of the testing.

Step 2: The SAR distribution at the exposed side of the head was measured at a distance of 4 mm from the inner surface of the shell. The area covered the entire dimension of the head or radiating structures of the EUT, the horizontal grid spacing was 15 mm x 15 mm, and the SAR distribution was determined by integrated grid of 1.5mm x 1.5mm. Based on these data, the area of the maximum absorption was determined by spline interpolation. The first Area Scan covers the entire dimension of the EUT to ensure that the hotspot was correctly identified.

Step 3: Around this point, a volume of 30 mm x 30 mm x 30 mm was assessed by measuring  $7 \times 7 \times 7$  points. On the basis of this data set, the spatial peak SAR value was evaluated under the following procedure:

- 1) The data at the surface were extrapolated, since the center of the dipoles is 1.2 mm away from the tip of the probe and the distance between the surface and the lowest measuring point is 1.3 mm. The extrapolation was based on a least square algorithm. A polynomial of the fourth order was calculated through the points in z-axes. This polynomial was then used to evaluate the points between the surface and the probe tip.
- 2) The maximum interpolated value was searched with a straightforward algorithm. Around this maximum the SAR values averaged over the spatial volumes (1 g or 10 g) were computed by the 3D-Spline interpolation algorithm. The 3D-Spline is composed of three one dimensional splines with the "Not a knot"-condition (in x, y and z-directions). The volume was integrated with the trapezoidal-algorithm. One thousand points (10 x 10 x 10) were interpolated to calculate the averages.

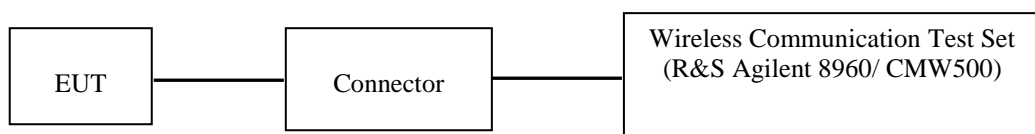
All neighboring volumes were evaluated until no neighboring volume with a higher average value was found.

Step 4: Re-measurement of the SAR value at the same location as in Step 1. If the value changed by more than 5%, the evaluation was repeated.



## CONDUCTED OUTPUT POWER MEASUREMENT

### Test Procedure



### GSM/WCDMA/LTE

#### Radio Configuration

The power measurement was configured by the Wireless Communication Test Set.

#### GSM/GPRS

Function: Menu select > GSM Mobile Station > GSM 850/1900

Press CONNECTION control to choose the different menus

Press RESET > choose all the reset all settings

Connection Press SIGNAL OFF to turn off the signal and change settings

Network Support > GSM + GPRS

Main Service > Packet Data

Service selection > Test Mode A – Auto Slot Config. off

MS Signal Press SLOT CONFIG Bottom on the right twice to select and change the number of time slots and power setting

> Slot configuration > Uplink/Gamma

> 33 dBm for GPRS 850

> 30 dBm for GPRS 1900

BS Signal Enter the same channel number for TCH channel (test channel) and BCCH channel

Frequency Offset > + 0 Hz

Mode > BCCH and TCH

BCCH Level > -85 dBm (May need to adjust if link is not stable)

BCCH Channel > choose desired test channel [Enter the same channel number for TCH channel (test channel) and BCCH channel]

Channel Type > Off

P0 > 4 dB

Slot Config > Unchanged (if already set under MS signal)

TCH > choose desired test channel

Hopping > Off

Main Timeslot > 3

Network Coding Scheme > CS4 (GPRS)

Bit Stream > 2E9-1 PSR Bit Stream

AF/RF Enter appropriate offsets for Ext. Att. Output and Ext. Att. Input

Connection Press SIGNAL ON to turn on the signal and change settings

**WCDMA Release 99**

The following tests were conducted according to the test requirements outlines in section 5.2 of the 3GPP TS34.121-1 specification. The EUT has a nominal maximum output power of 24dBm (+1.7/-3.7).

<b>WCDMA General Settings</b>	Loopback Mode	Test Mode 1
	Rel99 RMC	12.2kbps RMC
	Power Control Algorithm	Algorithm2
	$\beta_c/\beta_d$	8/15

**HSDPA**

The following tests were conducted according to the test requirements outlines in section 5.2 of the 3GPP TS34.121-1 specification.

	Mode	HSDPA	HSDPA	HSDPA	HSDPA
	Subset	1	2	3	4
<b>WCDMA General Settings</b>	Loopback Mode	Test Mode 1			
	Rel99 RMC	12.2kbps RMC			
	HSDPA FRC	H-Set1			
	Power Control Algorithm	Algorithm2			
	$\beta_c$	2/15	12/15	15/15	15/15
	$\beta_d$	15/15	15/15	8/15	4/15
	$\beta_d$ (SF)	64			
	$\beta_c/\beta_d$	2/15	12/15	15/8	15/4
	$\beta_{hs}$	4/15	24/15	30/15	30/15
MPR(dB)	0	0	0.5	0.5	
<b>HSDPA Specifi c Setting s</b>	DACK	8			
	DNAK	8			
	DCQI	8			
	Ack-Nack repetition factor	3			
	CQI Feedback	4ms			
	CQI Repetition Factor	2			
	$A_{hs}=\beta_{hs}/\beta_c$	30/15			

**HSUPA**

The following tests were conducted according to the test requirements outlines in section 5.2 of the 3GPP TS34.121-1 specification.

	<b>Mode</b>	<b>HSUPA</b>	<b>HSUPA</b>	<b>HSUPA</b>	<b>HSUPA</b>	<b>HSUPA</b>
	<b>Subset</b>	<b>1</b>	<b>2</b>	<b>3</b>	<b>4</b>	<b>5</b>
<b>WCDMA General Settings</b>	Loopback Mode	Test Mode 1				
	Rel99 RMC	12.2kbps RMC				
	HSDPA FRC	H-Set1				
	HSUPA Test	HSUPA Loopback				
	Power Control Algorithm	Algorithm2				
	$\beta_c$	11/15	6/15	15/15	2/15	15/15
	$\beta_d$	15/15	15/15	9/15	15/15	0
	$\beta_{ec}$	209/225	12/15	30/15	2/15	5/15
	$\beta_c / \beta_d$	11/15	6/15	15/9	2/15	-
	$\beta_{hs}$	22/15	12/15	30/15	4/15	5/15
	CM(dB)	1.0	3.0	2.0	3.0	1.0
MPR(dB)	0	2	1	2	0	
<b>HSDPA Specific Settings</b>	DACK	8				
	DNAK	8				
	DCQI	8				
	Ack-Nack repetition factor	3				
	CQI Feedback	4ms				
	CQI Repetition Factor	2				
	$A_{hs} = \beta_{hs} / \beta_c$	30/15				
<b>HSUPA Specific Settings</b>	DE-DPCCH	6	8	8	5	7
	DHARQ	0	0	0	0	0
	AG Index	20	12	15	17	21
	ETFCI	75	67	92	71	81
	Associated Max UL Data Rate kbps	242.1	174.9	482.8	205.8	308.9
	Reference E_FCIs	E-TFCI 11 E E-TFCI PO 4 E-TFCI 67 E-TFCI PO 18 E-TFCI 71 E-TFCI PO23 E-TFCI 75 E-TFCI PO26 E-TFCI 81 E-TFCI PO 27	E-TFCI 11 E-TFCI PO4 E-TFCI 92 E-TFCI PO 18	E-TFCI 11 E-TFCI PO 18 E-TFCI 71 E-TFCI PO23 E-TFCI 75 E-TFCI PO 18 E-TFCI 81 E-TFCI PO 27	E-TFCI 11 E E-TFCI PO 4 E-TFCI 67 E-TFCI PO 18 E-TFCI 71 E-TFCI PO23 E-TFCI 75 E-TFCI PO26 E-TFCI 81 E-TFCI PO 27	

**HSPA+**

Sub-test	$\beta_c$ (Note3)	$\beta_d$	$\beta_{HS}$ (Note1)	$\beta_{ec}$	$\beta_{ed}$ (2xSF2) (Note 4)	$\beta_{ed}$ (2xSF4) (Note 4)	CM (dB) (Note 2)	MPR (dB) (Note 2)	AG Index (Note 4)	E-TFCI (Note 5)	E-TFCI (boost)
1	1	0	30/15	30/15	$\beta_{ed1}$ : 30/15 $\beta_{ed2}$ : 30/15	$\beta_{ed3}$ : 24/15 $\beta_{ed4}$ : 24/15	3.5	2.5	14	105	105

Note 1:  $\Delta_{ACK}$ ,  $\Delta_{NACK}$  and  $\Delta_{CQI} = 30/15$  with  $\beta_{hs} = 30/15 * \beta_c$ .

Note 2: CM = 3.5 and the MPR is based on the relative CM difference, MPR = MAX(CM-1,0).

Note 3: DPDCH is not configured, therefore the  $\beta_c$  is set to 1 and  $\beta_d = 0$  by default.

Note 4:  $\beta_{ed}$  can not be set directly; it is set by Absolute Grant Value.

Note 5: All the sub-tests require the UE to transmit 2SF2+2SF4 16QAM EDCH and they apply for UE using E-DPDCH category 7. E-DCH TTI is set to 2ms TTI and E-DCH table index = 2. To support these E-DCH configurations DPDCH is not allocated. The UE is signalled to use the extrapolation algorithm.

The following tests were conducted according to the test requirements in Table C.11.1.4 of 3GPP TS 34.121-1

**FDD-LTE**

For UE Power Class 1 and 3, the allowed Maximum Power Reduction (MPR) for the maximum output power in Table 6.2.2-1 due to higher order modulation and transmit bandwidth configuration (resource blocks) is specified in Table 6.2.3-1.

**Table 6.2.3-1: Maximum Power Reduction (MPR) for Power Class 1 and 3**

Modulation	Channel bandwidth / Transmission bandwidth ( $N_{RB}$ )						MPR (dB)
	1.4 MHz	3.0 MHz	5 MHz	10 MHz	15 MHz	20 MHz	
QPSK	> 5	> 4	> 8	> 12	> 16	> 18	≤ 1
16 QAM	≤ 5	≤ 4	≤ 8	≤ 12	≤ 16	≤ 18	≤ 1
16 QAM	> 5	> 4	> 8	> 12	> 16	> 18	≤ 2

For UE Power Class 1 and 3 the specific requirements and identified sub clauses are specified in Table 6.2.4-1 along with the allowed A-MPR values that may be used to meet these requirements. The allowed A-MPR values specified below in Table 6.2.4.-1 to 6.2.4-15 are in addition to the allowed MPR requirements specified in sub clause 6.2.3.

**Table 6.2.4-1: Additional Maximum Power Reduction (A-MPR)**

Network Signalling value	Requirements (subclause)	E-UTRA Band	Channel bandwidth (MHz)	Resources Blocks ( $N_{RB}$ )	A-MPR (dB)
NS_01	6.6.2.1.1	Table 5.5-1	1.4, 3, 5, 10, 15, 20	Table 5.6-1	N/A
NS_03	6.6.2.2.1	2, 4, 10, 23, 25, 35, 36	3	>5	≤ 1
			5	>6	≤ 1
			10	>6	≤ 1
			15	>8	≤ 1
			20	>10	≤ 1
NS_04	6.6.2.2.2	41	5	>6	≤ 1
NS_05	6.6.3.3.1	1	10, 15, 20	≥ 50	≤ 1
NS_06	6.6.2.2.3	12, 13, 14, 17	1.4, 3, 5, 10	Table 5.6-1	N/A
NS_07	6.6.2.2.3 6.6.3.3.2	13	10	Table 6.2.4-2	
NS_08	6.6.3.3.3	19	10, 15	> 44	≤ 3
NS_09	6.6.3.3.4	21	10, 15	> 40	≤ 1
				> 55	≤ 2
NS_10		20	15, 20	Table 6.2.4-3	
NS_11	6.6.2.2.1	23	1.4, 3, 5, 10, 15, 20	Table 6.2.4-5	
NS_12	6.6.3.3.5	26	1.4, 3, 5	Table 6.2.4-6	
NS_13	6.6.3.3.6	26	5	Table 6.2.4-7	
NS_14	6.6.3.3.7	26	10, 15	Table 6.2.4-8	
NS_15	6.6.3.3.8	26	1.4, 3, 5, 10, 15	Table 6.2.4-9 Table 6.2.4-10	
NS_16	6.6.3.3.9	27	3, 5, 10	Table 6.2.4-11, Table 6.2.4-12, Table 6.2.4-13	
NS_17	6.6.3.3.10	28	5, 10	Table 5.6-1	N/A
NS_18	6.6.3.3.11	28	5	≥ 2	≤ 1
			10, 15, 20	≥ 1	≤ 4
NS_19	6.6.3.3.12	44	10, 15, 20	Table 6.2.4-14	
NS_20	6.2.2 6.6.2.2.1 6.6.3.2	23	5, 10, 15, 20	Table 6.2.4-15	
...					
NS_32	-	-	-	-	-

**TDD-LTE**

LTE TDD Band 41 supports 3GPP TS 36.211 section 4.2 for Type 2 Frame Structure and Table 4.2-2 for uplink-downlink configurations and Table 4.2-1 for Special subframe configurations.

Table 4.2-1: Configuration of special subframe (lengths of DwPTS/GP/UpPTS).

Special subframe configuration	Normal cyclic prefix in downlink			Extended cyclic prefix in downlink		
	DwPTS	UpPTS		DwPTS	UpPTS	
		Normal cyclic prefix in uplink	Extended cyclic prefix in uplink		Normal cyclic prefix in uplink	Extended cyclic prefix in uplink
0	$6592 \cdot T_s$	$2192 \cdot T_s$	$2560 \cdot T_s$	$7680 \cdot T_s$	$2192 \cdot T_s$	$2560 \cdot T_s$
1	$19760 \cdot T_s$			$20480 \cdot T_s$		
2	$21952 \cdot T_s$			$23040 \cdot T_s$		
3	$24144 \cdot T_s$			$25600 \cdot T_s$		
4	$26336 \cdot T_s$			$7680 \cdot T_s$		
5	$6592 \cdot T_s$	$4384 \cdot T_s$	$5120 \cdot T_s$	$20480 \cdot T_s$	$4384 \cdot T_s$	$5120 \cdot T_s$
6	$19760 \cdot T_s$			$23040 \cdot T_s$		
7	$21952 \cdot T_s$			$12800 \cdot T_s$		
8	$24144 \cdot T_s$			-		
9	$13168 \cdot T_s$			-		-

Table 4.2-2: Uplink-downlink configurations.

Uplink-downlink configuration	Downlink-to-Uplink Switch-point periodicity	Subframe number									
		0	1	2	3	4	5	6	7	8	9
0	5 ms	D	S	U	U	U	D	S	U	U	U
1	5 ms	D	S	U	U	D	D	S	U	U	D
2	5 ms	D	S	U	D	D	D	S	U	D	D
3	10 ms	D	S	U	U	U	D	D	D	D	D
4	10 ms	D	S	U	U	D	D	D	D	D	D
5	10 ms	D	S	U	D	D	D	D	D	D	D
6	5 ms	D	S	U	U	U	D	S	U	U	D

**Calculated Duty Cycle**

Uplink-Downlink Configuration	Downlink-to-Uplink Switch-point Periodicity	Subframe Number										Calculated Duty Cycle (%)
		0	1	2	3	4	5	6	7	8	9	
0	5 ms	D	S	U	U	U	D	S	U	U	U	63.33
1	5 ms	D	S	U	U	D	D	S	U	U	D	43.33
2	5 ms	D	S	U	D	D	D	S	U	D	D	23.33
3	10 ms	D	S	U	U	U	D	D	D	D	D	31.67
4	10 ms	D	S	U	U	D	D	D	D	D	D	21.67
5	10 ms	D	S	U	D	D	D	D	D	D	D	11.67
6	5 ms	D	S	U	U	U	D	S	U	U	D	53.33

Note: This device supports uplink-downlink configurations 0-6. The configuration with highest duty cycle was used for SAR Testing: configuration 0 at 63.33% duty cycle.

**Maximum Target Output Power**

<b>Max Target Power(dBm)</b>			
<b>Mode/Band</b>	<b>Channel</b>		
	<b>Low</b>	<b>Middle</b>	<b>High</b>
GSM 850	32.5	32.5	32.5
GPRS 1 TX Slot	32.5	32.5	32.5
GPRS 2 TX Slot	32.0	32.0	32.0
GPRS 3 TX Slot	30.5	30.5	30.5
GPRS 4 TX Slot	29.5	29.5	29.5
EGPRS 1 TX Slot	28.0	28.0	28.0
EGPRS 2 TX Slot	27.0	27.0	27.0
EGPRS 3 TX Slot	24.5	24.5	24.5
EGPRS 4 TX Slot	23.5	23.5	23.5
PCS 1900	30.5	30.5	30.5
GPRS 1 TX Slot	30.0	29.5	29.0
GPRS 2 TX Slot	29.5	29.0	28.5
GPRS 3 TX Slot	28.0	27.5	27.0
GPRS 4 TX Slot	27.0	26.5	26.0
EGPRS 1 TX Slot	28.0	28.0	28.0
EGPRS 2 TX Slot	26.0	26.0	26.0
EGPRS 3 TX Slot	23.5	23.5	23.5
EGPRS 4 TX Slot	22.0	22.0	22.0
WCDMA Band 2	23.5	23.5	23.5
WCDMA Band 5	23.0	23.0	23.0
LTE Band 2	23.5	23.5	23.5
LTE Band 5	23.5	23.5	23.5
LTE Band 12	23.0	23.0	23.0
LTE Band 13	23.0	23.0	23.0
LTE Band 41	21.0	21.5	21.5
WLAN 2.4G	14.0	14.0	14.0
WLAN 5.2G	10.0	10.0	10.0
WLAN 5.8G	9.0	9.0	9.5
Bluetooth	6.5	6.5	6.5
BLE	0.5	0.5	0.5

**Test Results:****GSM:**

Band	Channel No.	Frequency (MHz)	RF Output Power (dBm)
GSM 850	128	824.2	31.90
	190	836.6	31.90
	251	848.8	31.80
PCS 1900	512	1850.2	29.40
	661	1880	28.90
	810	1909.8	28.40

**GPRS:**

Band	Channel No.	Frequency (MHz)	RF Output Power (dBm)			
			1 slot	2 slots	3 slots	4 slots
GSM 850	128	824.2	32.15	31.61	30.32	29.18
	190	836.6	32.01	31.50	30.25	28.99
	251	848.8	31.87	31.38	30.03	28.94
PCS 1900	512	1850.2	29.79	29.19	27.88	26.65
	661	1880	29.41	28.85	27.35	26.12
	810	1909.8	28.88	28.31	26.85	25.82

**EDGE:**

Band	Channel No.	Frequency (MHz)	RF Output Power (dBm)			
			1 slot	2 slots	3 slots	4 slots
GSM 850	128	824.2	27.74	26.39	24.07	22.90
	190	836.6	27.93	26.47	24.24	22.99
	251	848.8	27.95	26.46	24.24	22.98
PCS 1900	512	1850.2	27.46	25.83	23.35	21.97
	661	1880	27.47	25.93	23.40	21.96
	810	1909.8	27.17	25.65	23.34	21.84

For SAR, the time based average power is relevant, the difference in between depends on the duty cycle of the TDMA signal.

Number of Time slot	1	2	3	4
Duty Cycle	1:8	1:4	1:2.66	1:2
Time based Ave. power compared to slotted Ave. power	-9 dB	-6 dB	-4.25 dB	-3 dB
Crest Factor	8	4	2.66	2



**The time based average power for GPRS**

Band	Channel No.	Frequency (MHz)	RF Output Power (dBm)			
			1 slot	2 slots	3 slots	4 slots
GSM 850	128	824.2	23.15	25.61	26.07	<b>26.18</b>
	190	836.6	23.01	25.50	26.00	25.99
	251	848.8	22.87	25.38	25.78	25.94
PCS 1900	512	1850.2	20.79	23.19	23.63	<b>23.65</b>
	661	1880	20.41	22.85	23.10	23.12
	810	1909.8	19.88	22.31	22.60	22.82

**The time based average power for EDGE**

Band	Channel No.	Frequency (MHz)	RF Output Power (dBm)			
			1 slot	2 slots	3 slots	4 slots
GSM 850	128	824.2	18.74	20.39	19.82	19.90
	190	836.6	18.93	20.47	19.99	19.99
	251	848.8	18.95	20.46	19.99	19.98
PCS 1900	512	1850.2	18.46	19.83	19.10	18.97
	661	1880	18.47	19.93	19.15	18.96
	810	1909.8	18.17	19.65	19.09	18.84

**Note:**

1. For GSM voice, 1 timeslot has been activated with power level 5 (850 MHz band) and 0 (1900 MHz band).
2. For GPRS, 1, 2, 3 and 4 timeslots has been activated separately with power level 3(850 MHz band) and 3(1900 MHz band).

**WCDMA Band 2:**

Test Condition	Test Mode	3GPP Sub Test	Averaged Mean Power (dBm)		
			Low Frequency	Mid Frequency	High Frequency
Normal	RMC12.2k		23.09	23.15	22.97
	HSDPA	1	22.05	22.01	22.01
		2	22.06	22.08	21.88
		3	21.96	22.11	21.78
		4	22.00	22.01	21.72
	HSUPA	1	21.70	21.71	21.45
		2	21.52	21.44	21.48
		3	21.63	21.28	21.60
		4	21.34	21.53	21.37
		5	21.48	21.33	21.25
	HSPA+	1	21.38	21.49	21.27

**WCDMA Band 5:**

Test Condition	Test Mode	3GPP Sub Test	Averaged Mean Power (dBm)		
			Low Frequency	Mid Frequency	High Frequency
Normal	RMC12.2k		22.91	22.69	22.94
	HSDPA	1	21.90	21.83	21.98
		2	21.83	21.73	21.85
		3	21.93	21.89	21.61
		4	21.81	21.65	21.87
	HSUPA	1	21.61	21.46	21.42
		2	21.38	21.47	21.27
		3	21.42	21.30	21.33
		4	21.29	21.19	21.16
		5	21.24	21.29	21.43
	HSPA+	1	21.27	21.35	21.27

**Note:**

1. The default test configuration is to measure SAR with an established radio link between the EUT and a communication test set using a 12.2 kbps RMC (reference measurement Channel) Configured in Test Loop Model 1.
2. KDB 941225 D01-Body SAR is not required for HSDPA/HSUPA/ HSPA+ when the maximum average output of each RF channel is less than ¼ dB higher than measured 12.2kbps RMC or the maximum SAR for 12.2kbps RMC is < 75% of SAR limit.

**LTE Band 2:**

Test Bandwidth	Test Modulation	Resource Block & RB offset	Target MPR	Meas MPR	Low Channel (dBm)	Middle Channel (dBm)	High Channel (dBm)
1.4M	QPSK	RB1#0	0	0	23.01	23.10	23.02
		RB1#3	0	0	23.24	23.40	23.18
		RB1#5	0	0	23.06	23.02	23.08
		RB3#0	1	1	23.20	23.10	23.20
		RB3#3	1	1	23.09	23.16	23.04
		RB6#0	1	1	22.18	22.07	22.09
	16-QAM	RB1#0	1	1	22.23	22.05	22.03
		RB1#3	1	1	22.45	22.20	22.11
		RB1#5	1	1	22.21	22.08	22.03
		RB3#0	2	2	22.09	22.21	22.36
		RB3#3	2	2	22.07	22.19	22.36
		RB6#0	2	2	21.23	21.08	21.06
3M	QPSK	RB1#0	0	0	23.01	23.17	22.98
		RB1#8	0	0	23.14	23.16	23.05
		RB1#14	0	0	22.97	23.18	23.09
		RB6#0	1	1	22.04	22.08	22.01
		RB6#9	1	1	22.00	22.02	21.96
		RB15#0	1	1	22.08	21.99	22.04
	16-QAM	RB1#0	1	1	22.61	22.27	22.13
		RB1#8	1	1	22.58	22.20	22.12
		RB1#14	1	1	22.62	22.15	21.96
		RB6#0	2	2	21.17	21.05	20.92
		RB6#9	2	2	21.20	21.12	20.97
		RB15#0	2	2	21.26	21.09	21.18
5M	QPSK	RB1#0	0	0	23.01	23.08	22.89
		RB1#13	0	0	23.13	23.15	23.08
		RB1#24	0	0	22.94	23.07	22.95
		RB15#0	1	1	22.04	22.17	22.15
		RB15#10	1	1	22.08	22.06	22.00
		RB25#0	1	1	22.12	22.00	21.99
	16-QAM	RB1#0	1	1	21.92	22.23	21.95
		RB1#13	1	1	22.09	22.38	22.27
		RB1#24	1	1	21.94	22.32	22.12
		RB15#0	2	2	21.09	21.09	21.17
		RB15#10	2	2	21.08	20.99	21.12
		RB25#0	2	2	21.19	21.13	21.01
10M	QPSK	RB1#0	0	0	22.98	23.04	23.05
		RB1#25	0	0	23.25	23.21	23.15
		RB1#49	0	0	23.01	22.98	22.97
		RB25#0	1	1	22.02	22.17	22.00
		RB25#25	1	1	22.16	22.01	22.02
		RB50#0	1	1	22.15	22.14	22.11
	16-QAM	RB1#0	1	1	22.05	22.54	22.16
		RB1#25	1	1	22.33	22.79	22.31

		RB1#49	1	1	22.10	22.58	22.20
		RB25#0	2	2	21.26	21.19	21.22
		RB25#25	2	2	21.21	21.18	21.02
		RB50#0	2	2	21.22	21.16	21.10
15M	QPSK	RB1#0	0	0	23.03	23.07	23.01
		RB1#38	0	0	23.01	23.05	23.11
		RB1#74	0	0	22.99	22.93	23.05
		RB36#0	1	1	22.05	22.01	22.19
		RB36#39	1	1	22.22	22.00	22.12
		RB75#0	1	1	22.09	21.99	22.07
	16-QAM	RB1#0	1	1	22.55	22.14	22.49
		RB1#38	1	1	22.63	22.25	22.52
		RB1#74	1	1	22.57	22.21	22.36
		RB36#0	2	2	21.15	21.16	21.02
		RB36#39	2	2	21.13	21.13	21.11
		RB75#0	2	2	20.96	21.07	21.06
20M	QPSK	RB1#0	0	0	22.94	22.92	23.06
		RB1#50	0	0	23.25	23.22	23.24
		RB1#99	0	0	22.84	22.92	23.04
		RB50#0	1	1	22.01	22.07	22.22
		RB50#50	1	1	22.11	22.00	21.95
		RB100#0	1	1	21.95	22.06	22.04
	16-QAM	RB1#0	1	1	22.48	22.17	22.11
		RB1#50	1	1	22.67	22.62	22.56
		RB1#99	1	1	22.37	22.24	22.20
		RB50#0	2	2	21.00	21.18	21.27
		RB50#50	2	2	20.98	20.95	21.03
		RB100#0	2	2	21.11	21.15	21.08

**LTE Band 5:**

Test Bandwidth	Test Modulation	Resource Block & RB offset	Target MPR	Meas MPR	Low Channel (dBm)	Middle Channel (dBm)	High Channel (dBm)
1.4M	QPSK	RB1#0	0	0	22.94	22.83	22.78
		RB1#3	0	0	23.13	22.97	22.95
		RB1#5	0	0	23.00	22.75	22.68
		RB3#0	1	1	23.07	22.84	22.86
		RB3#3	1	1	23.08	22.82	22.90
		RB6#0	1	1	22.01	21.81	21.81
	16-QAM	RB1#0	1	1	22.02	21.80	21.80
		RB1#3	1	1	22.22	22.04	21.91
		RB1#5	1	1	22.05	21.91	21.72
		RB3#0	2	2	22.29	22.01	22.11
		RB3#3	2	2	22.31	22.03	22.03
		RB6#0	2	2	21.13	20.77	20.75
3M	QPSK	RB1#0	0	0	22.93	22.87	22.86
		RB1#8	0	0	22.89	22.85	22.72
		RB1#14	0	0	22.95	22.82	22.85
		RB6#0	1	1	21.93	21.95	21.77
		RB6#9	1	1	21.86	21.91	21.84
		RB15#0	1	1	21.94	21.86	21.84
	16-QAM	RB1#0	1	1	22.65	22.14	21.93
		RB1#8	1	1	22.58	22.06	21.83
		RB1#14	1	1	22.55	22.10	21.85
		RB6#0	2	2	21.14	20.96	20.92
		RB6#9	2	2	21.01	20.94	20.68
		RB15#0	2	2	21.03	20.85	20.99
5M	QPSK	RB1#0	0	0	22.98	22.77	22.64
		RB1#13	0	0	22.92	22.94	22.73
		RB1#24	0	0	22.89	22.87	22.67
		RB15#0	1	1	22.02	21.80	22.07
		RB15#10	1	1	21.94	22.04	21.71
		RB25#0	1	1	22.04	21.93	21.81
	16-QAM	RB1#0	1	1	21.90	22.23	21.80
		RB1#13	1	1	21.89	22.25	21.90
		RB1#24	1	1	21.75	22.14	21.77
		RB15#0	2	2	21.14	20.84	21.25
		RB15#10	2	2	21.07	20.92	20.71
		RB25#0	2	2	21.07	20.93	20.88
10M	QPSK	RB1#0	0	0	22.96	22.98	22.88
		RB1#25	0	0	23.00	22.92	22.84
		RB1#49	0	0	22.91	22.75	22.76
		RB25#0	1	1	21.98	21.88	21.91
		RB25#25	1	1	22.11	22.17	21.48
		RB50#0	1	1	22.10	22.05	21.78
	16-QAM	RB1#0	1	1	22.14	22.63	22.02
		RB1#25	1	1	22.02	22.54	22.05

		RB1#49	1	1	21.94	22.52	21.92
		RB25#0	2	2	21.18	21.01	20.86
		RB25#25	2	2	21.17	21.09	20.54
		RB50#0	2	2	21.17	20.98	20.83

**LTE Band 12:**

Test Bandwidth	Test Modulation	Resource Block & RB offset	Target MPR	Meas MPR	Low Channel (dBm)	Middle Channel (dBm)	High Channel (dBm)
1.4M	QPSK	RB1#0	0	0	22.35	22.19	22.24
		RB1#3	0	0	22.53	22.38	22.33
		RB1#5	0	0	22.27	22.17	22.11
		RB3#0	1	1	22.33	22.28	22.36
		RB3#3	1	1	22.37	22.29	22.28
		RB6#0	1	1	21.29	21.29	21.27
	16-QAM	RB1#0	1	1	21.27	21.20	21.18
		RB1#3	1	1	21.45	21.44	21.38
		RB1#5	1	1	21.37	21.24	21.21
		RB3#0	2	2	21.22	21.48	21.53
		RB3#3	2	2	21.28	21.37	21.45
		RB6#0	2	2	20.28	20.40	20.31
3M	QPSK	RB1#0	0	0	22.39	22.35	22.29
		RB1#8	0	0	22.25	22.36	22.38
		RB1#14	0	0	22.23	22.30	22.24
		RB6#0	1	1	21.24	21.31	21.34
		RB6#9	1	1	21.25	21.23	21.19
		RB15#0	1	1	21.29	21.27	21.27
	16-QAM	RB1#0	1	1	21.80	21.56	21.36
		RB1#8	1	1	21.91	21.41	21.25
		RB1#14	1	1	21.86	21.53	21.37
		RB6#0	2	2	20.40	20.45	20.32
		RB6#9	2	2	20.51	20.43	20.30
		RB15#0	2	2	20.48	20.45	20.34
5M	QPSK	RB1#0	0	0	22.24	22.29	22.18
		RB1#13	0	0	22.36	22.36	22.24
		RB1#24	0	0	22.20	22.33	22.13
		RB15#0	1	1	21.22	21.48	21.30
		RB15#10	1	1	21.36	21.18	21.42
		RB25#0	1	1	21.27	21.32	21.33
	16-QAM	RB1#0	1	1	21.17	21.57	21.23
		RB1#13	1	1	21.34	21.73	21.40
		RB1#24	1	1	21.06	21.50	21.27
		RB15#0	2	2	20.29	20.45	20.38
		RB15#10	2	2	20.35	20.35	20.41
		RB25#0	2	2	20.37	20.51	20.47
10M	QPSK	RB1#0	0	0	22.37	22.21	22.41
		RB1#25	0	0	22.36	22.47	22.40
		RB1#49	0	0	22.34	22.32	22.22

		RB25#0	1	1	21.18	21.69	21.51
		RB25#25	1	1	21.15	21.30	21.38
		RB50#0	1	1	21.14	21.56	21.34
	16-QAM	RB1#0	1	1	21.89	21.37	21.39
		RB1#25	1	1	21.96	21.50	21.50
		RB1#49	1	1	21.86	21.40	21.31
		RB25#0	2	2	20.36	20.61	20.65
		RB25#25	2	2	20.21	20.37	20.57
		RB50#0	2	2	20.24	20.59	20.40

**LTE Band 13:**

Test Bandwidth	Test Modulation	Resource Block & RB offset	Target MPR	Meas MPR	Low Channel (dBm)	Middle Channel (dBm)	High Channel (dBm)
5M	QPSK	RB1#0	0	0	22.27	22.22	22.36
		RB1#13	0	0	22.33	22.44	22.36
		RB1#24	0	0	22.24	22.25	22.43
		RB15#0	1	1	21.38	21.59	21.54
		RB15#10	1	1	21.21	21.34	21.52
		RB25#0	1	1	21.33	21.36	21.53
	16-QAM	RB1#0	1	1	21.48	21.29	21.26
		RB1#13	1	1	21.72	21.60	21.27
		RB1#24	1	1	21.66	21.36	21.32
		RB15#0	2	2	20.37	20.58	20.54
		RB15#10	2	2	20.11	20.34	20.57
		RB25#0	2	2	20.43	20.54	20.61
10M	QPSK	RB1#0	0	0	/	22.32	/
		RB1#25	0	0	/	22.60	/
		RB1#49	0	0	/	22.51	/
		RB25#0	1	1	/	21.70	/
		RB25#25	1	1	/	21.39	/
		RB50#0	1	1	/	21.67	/
	16-QAM	RB1#0	1	1	/	21.29	/
		RB1#25	1	1	/	21.51	/
		RB1#49	1	1	/	21.41	/
		RB25#0	2	2	/	20.88	/
		RB25#25	2	2	/	20.62	/
		RB50#0	2	2	/	20.64	/

**LTE Band 41:**

Test Bandwidth	Test Modulation	Resource Block & RB offset	Target MP R	Meas M PR	Low Channel (dBm)	Low-Mid Channel (dBm)	Mid Channel (dBm)	Mid-High Channel (dBm)	High Channel (dBm)
5M	QPSK	RB1#0	0	0	20.55	20.66	21.06	21.33	21.26
		RB1#13	0	0	20.84	20.82	21.16	21.43	21.44
		RB1#24	0	0	20.73	20.63	21.10	21.27	21.18
		RB15#0	1	1	19.61	19.77	20.11	20.31	20.33
		RB15#10	1	1	19.76	19.74	20.02	20.31	20.30
	RB25#0	1	1	19.68	19.82	20.16	20.26	20.29	
	16-QAM	RB1#0	1	1	19.66	19.69	20.34	20.32	20.29
		RB1#13	1	1	19.80	19.86	20.43	20.40	20.42
		RB1#24	1	1	19.77	19.76	20.35	20.20	20.28
		RB15#0	2	2	18.80	18.82	19.29	19.31	19.28
RB15#10		2	2	18.94	18.83	19.29	19.29	19.40	
RB25#0	2	2	18.80	18.94	19.12	19.43	19.38		
10M	QPSK	RB1#0	0	0	20.74	20.78	21.16	21.24	21.30
		RB1#25	0	0	21.00	21.11	21.38	21.59	21.65
		RB1#49	0	0	20.72	20.72	21.22	21.33	21.22
		RB25#0	1	1	19.81	19.68	20.24	20.35	20.34
		RB25#25	1	1	19.73	19.89	20.21	20.40	20.28
	RB50#0	1	1	19.75	19.70	20.10	20.36	20.33	
	16-QAM	RB1#0	1	1	19.58	19.58	20.24	20.51	20.42
		RB1#25	1	1	19.96	19.93	20.59	20.67	20.69
		RB1#49	1	1	19.81	19.78	20.27	20.53	20.56
		RB25#0	2	2	18.91	18.93	19.28	19.30	19.35
RB25#25		2	2	18.95	18.89	19.16	19.44	19.32	
RB50#0	2	2	18.84	18.89	19.34	19.41	19.40		
15M	QPSK	RB1#0	0	0	20.75	20.77	21.05	21.22	21.26
		RB1#38	0	0	20.72	20.74	21.16	21.24	21.37
		RB1#74	0	0	20.66	20.74	21.01	21.26	21.18
		RB36#0	1	1	19.63	19.66	20.03	20.25	20.29
		RB36#39	1	1	19.71	19.73	20.10	20.43	20.30
	RB75#0	1	1	19.84	19.81	20.18	20.35	20.36	
	16-QAM	RB1#0	1	1	19.61	19.63	20.16	20.44	20.46
		RB1#38	1	1	19.77	19.76	20.44	20.42	20.55
		RB1#74	1	1	19.67	19.59	20.20	20.42	20.46
		RB36#0	2	2	18.68	18.71	19.18	19.31	19.34
RB36#39		2	2	18.81	18.76	19.21	19.37	19.37	
RB75#0	2	2	18.85	18.75	19.08	19.32	19.29		
20M	QPSK	RB1#0	0	0	20.66	20.66	21.07	21.07	21.18
		RB1#50	0	0	20.94	20.92	21.50	21.54	21.51
		RB1#99	0	0	20.67	20.69	21.13	21.29	21.28
		RB50#0	1	1	19.66	19.58	20.18	20.21	20.26
		RB50#50	1	1	19.82	19.87	20.06	20.21	20.20
RB100#0	1	1	19.71	19.80	20.15	20.25	20.22		



16-QAM	RB1#0	1	1	19.59	19.67	20.16	20.22	20.27
	RB1#50	1	1	20.06	19.99	20.63	20.64	20.64
	RB1#99	1	1	19.75	19.76	20.26	20.30	20.29
	RB50#0	2	2	18.76	18.78	19.22	19.36	19.37
	RB50#50	2	2	18.88	18.96	19.07	19.32	19.41
	RB100#0	2	2	18.87	18.84	19.18	19.26	19.39

The frequency range of LTE Band 41 is 2535 ~ 2655MHz. Per KDB 447498 D01, according to the following formula Calculate  $N_c$  is 4, We chose to test 5 frequency points.

KDB procedures, the following should be applied to determine the number of required test channels. The test channels should be evenly spread across the transmission frequency band of each wireless mode.<sup>14</sup>

$$N_c = \text{Round} \left\{ \left[ 100(f_{\text{high}} - f_{\text{low}}) / f_c \right]^{0.5} \times (f_c / 100)^{0.2} \right\},$$

where

- $N_c$  is the number of test channels, rounded to the nearest integer,
- $f_{\text{high}}$  and  $f_{\text{low}}$  are the highest and lowest channel frequencies within the transmission band,
- $f_c$  is the mid-band channel frequency,
- all frequencies are in MHz.

**Bluetooth:**

Mode	Channel frequency (MHz)	RF Output Power (dBm)
BDR(GFSK)	2402	5.83
	2441	5.44
	2480	5.21
EDR( $\pi/4$ -DQPSK)	2402	4.93
	2441	4.79
	2480	4.58
EDR(8DPSK)	2402	5.01
	2441	4.70
	2480	4.63
BLE(1M)	2402	0.13
	2440	0.06
	2480	-0.15
BLE(2M)	2402	-0.07
	2440	-0.05
	2480	-0.19

**Wi-Fi 2.4G:**

Mode	Channel frequency (MHz)	Data Rate	Conducted Average Output
802.11b	2412	1Mbps	13.33
	2442		13.51
	2472		13.08
802.11g	2412	6Mbps	13.38
	2442		13.25
	2472		13.09
802.11n HT20	2412	MCS0	13.19
	2442		13.20
	2472		13.04
802.11n HT40	2422	MCS0	13.46
	2442		13.66
	2462		13.14

**WLAN 5G:**

Mode	Channel frequency	Data Rate	RF Output Power(dBm)
802.11a	5180	6Mbps	9.26
	5200		9.49
	5240		9.27
802.11n HT20	5180	MCS0	9.07
	5200		9.23
	5240		9.26
802.11n HT40	5190	MCS0	9.27
	5230		9.61
802.11AC20	5180	MCS0	9.09
	5200		9.22
	5240		9.16
802.11AC40	5190	MCS0	9.30
	5230		9.59
802.11AC80	5210	MCS0	9.71

Mode	Channel frequency	Data Rate	RF Output Power(dBm)
802.11a	5745	6Mbps	8.46
	5785		8.73
	5825		9.30
802.11n HT20	5745	MCS0	8.18
	5785		8.54
	5825		9.19
802.11n HT40	5755	MCS0	8.47
	5795		8.64
802.11AC20	5745	MCS0	8.35
	5785		8.57
	5825		9.17
802.11AC40	5755	MCS0	8.52
	5795		8.68
802.11AC80	5775	MCS0	8.81

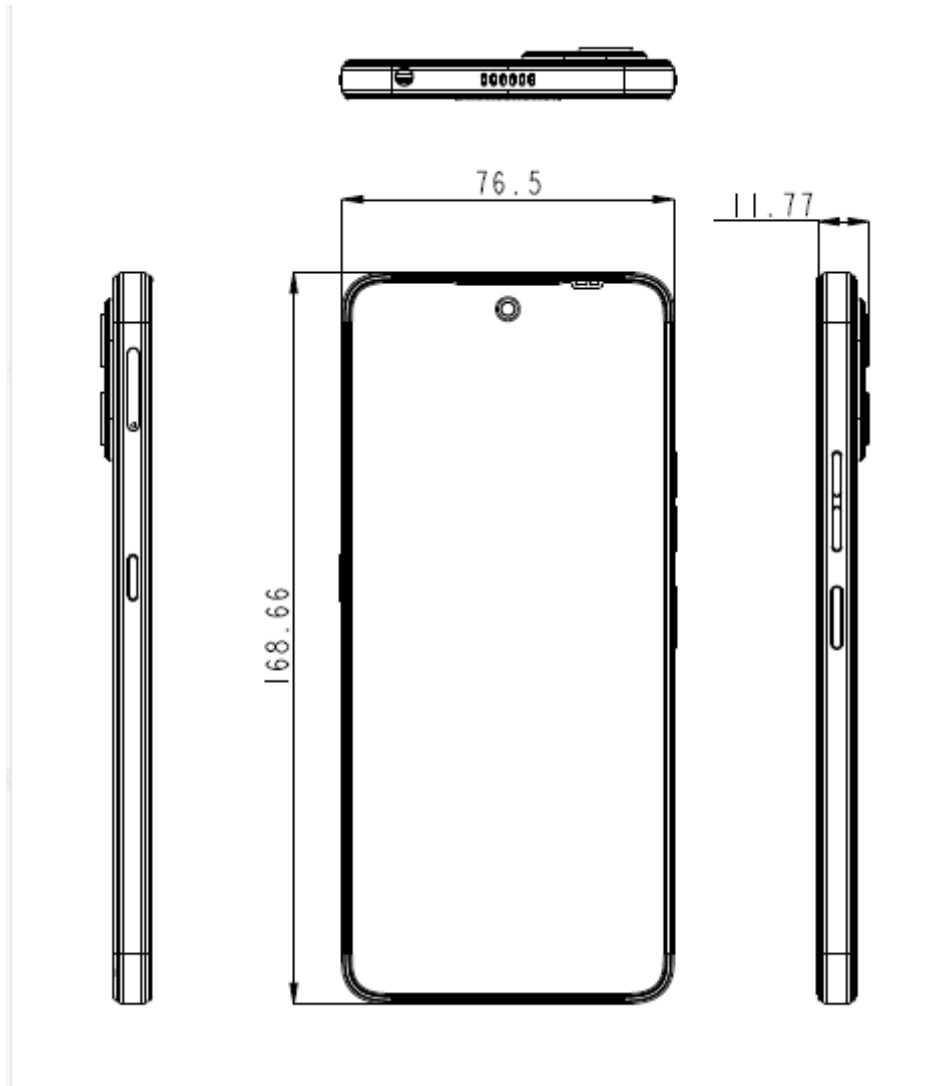
**Duty Cycle:**

Test Mode	Channel	Duty Cycle [%]
11B	2442	99.53
11G	2442	96.53
11N20SISO	2442	96.30
11N40SISO	2442	92.75
BLE_1M	2440	84.86
BLE_2M	2440	56.91
11A	5180	96.53
	5200	96.53
	5240	96.53
	5745	96.53
	5785	96.53
	5825	96.53
11N20SISO	5180	96.30
	5200	96.30
	5240	96.30
	5745	96.30
	5785	96.30
	5825	96.30
11N40SISO	5190	92.75
	5230	92.75
	5755	92.75
	5795	92.75
11AC20SISO	5180	96.32
	5200	96.32
	5240	96.32
	5745	96.32
	5785	96.32
	5825	96.32
11AC40SISO	5190	92.86
	5230	92.86
	5755	92.86
	5795	92.86
11AC80SISO	5210	86.49
	5775	86.49

## Standalone SAR test exclusion considerations

Preview:

A13 Pro Max:

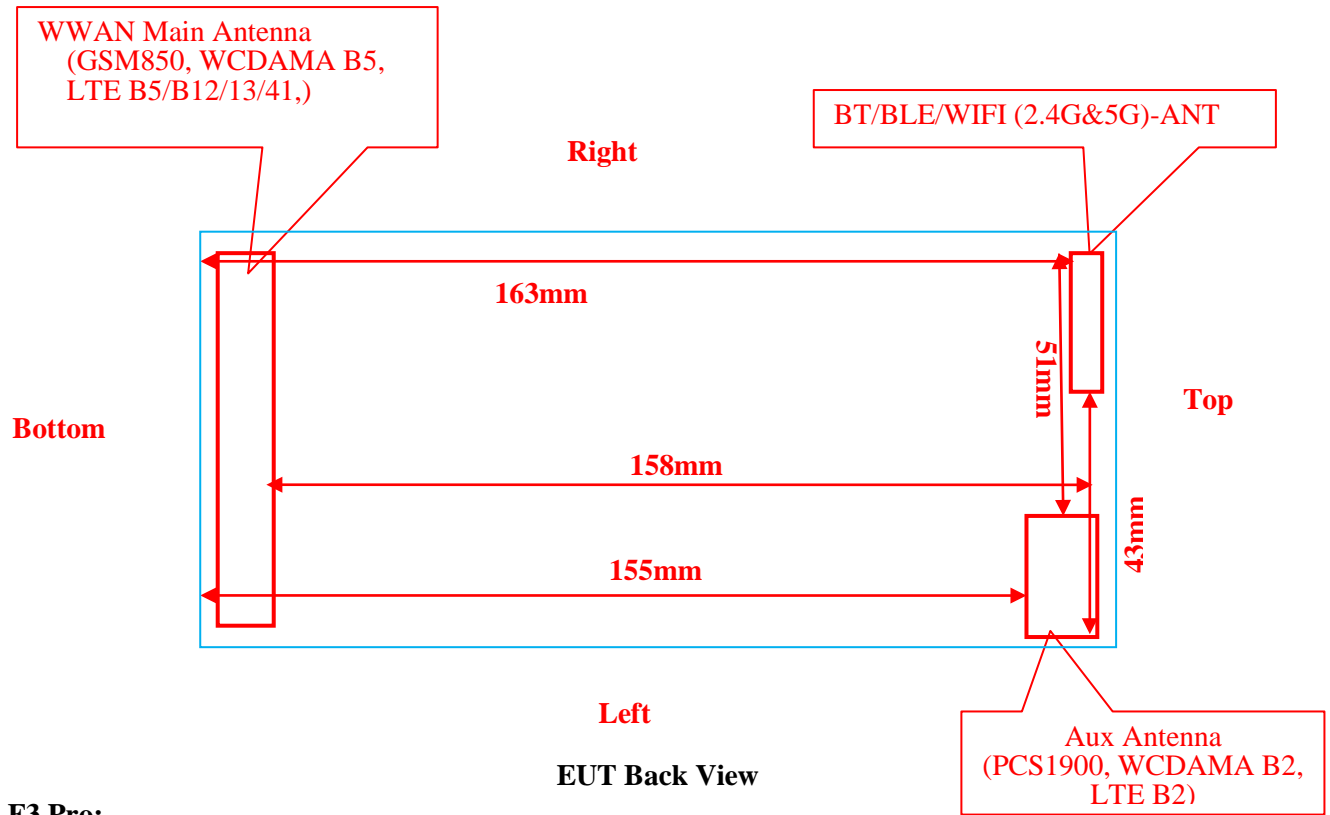


**F3 Pro:**

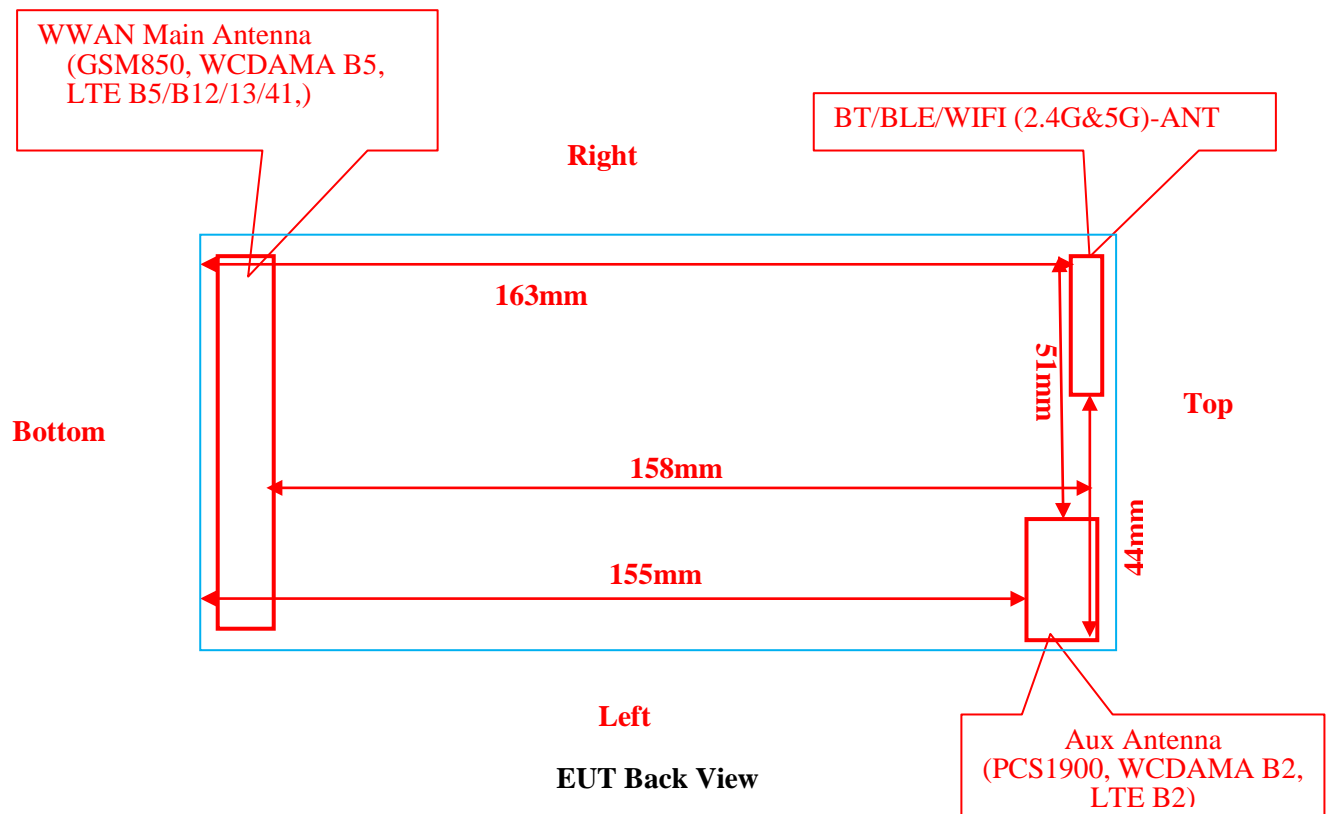


**Antennas Location:**

**A13 Pro Max:**



**F3 Pro:**



**Antenna Distance To Edge:**

A13 Pro Max:

Antenna Distance To Edge(mm)						
Antenna	Front	Back	Left	Right	Top	Bottom
Main Antenna	< 5	< 5	< 5	< 5	158	< 5
Aux Antenna	< 5	< 5	< 5	51	< 5	155
BT/BLE/WIFI 2.4G/ WIFI 5G	< 5	< 5	43	< 5	< 5	163

F3 Pro:

Antenna Distance To Edge(mm)						
Antenna	Front	Back	Left	Right	Top	Bottom
Main Antenna	< 5	< 5	< 5	< 5	158	< 5
Aux Antenna	< 5	< 5	< 5	51	< 5	155
BT/BLE/WIFI 2.4G/ WIFI 5G	< 5	< 5	44	< 5	< 5	163

*Note: According to evaluation and pre-testing, Model A13 Pro Max was the worst case for full testing.*



**Standalone SAR test exclusion considerations(KDB):**

Mode	Frequency (MHz)	Output Power (dBm)	Output Power (mW)	Distance (mm)	Calculated value	Threshold (1-g)	SAR Test Exclusion
Bluetooth	2480	6.5	4.47	0	1.4	3.0	Yes
2.4G WLAN	2472	14.0	25.12	0	7.9	3.0	No
5.2G WLAN	5240	10.0	10.00	0	4.6	3.0	No
5.8G WLAN	5825	9.0	7.94	0	3.8	3.0	No

**NOTE:**

The 1-g and 10-g SAR test exclusion thresholds for 100 MHz to 6 GHz at test separation distances  $\leq 50$  mm are determined by:

$[(\text{max. power of channel, including tune-up tolerance, mW}) / (\text{min. test separation distance, mm})] \cdot$

$[\sqrt{f(\text{GHz})}] \leq 3.0$  for 1-g SAR and  $\leq 7.5$  for 10-g extremity SAR, where

1.  $f(\text{GHz})$  is the RF channel transmit frequency in GHz.
2. Power and distance are rounded to the nearest mW and mm before calculation.
3. The result is rounded to one decimal place for comparison.
4. When the minimum test separation distance is  $< 5$  mm, a distance of 5 mm is applied to determine SAR test Exclusion.

**Standalone SAR estimation (RSS-102):**

Output power level shall be the higher of the maximum conducted or equivalent isotropically radiated power (e.i.r.p.) source-based, time-averaged output power. For controlled use devices where the 8 W/kg for 1 gram of tissue applies, the exemption limits for routine evaluation in Table 1 are multiplied by a factor of 5. For limb-worn devices where the 10 gram value applies, the exemption limits for routine evaluation in Table 1 are multiplied by a factor of 2.5. If the operating frequency of the device is between two frequencies located in Table 1, linear interpolation shall be applied for the applicable separation distance. For test separation distance less than 5 mm, the exemption limits for a separation distance of 5 mm can be applied to determine if a routine evaluation is required.

**Table 1: SAR evaluation – Exemption limits for routine evaluation based on frequency and separation distance<sup>4,5</sup>**

Frequency (MHz)	Exemption Limits (mW)				
	At separation distance of $\leq 5$ mm	At separation distance of 10 mm	At separation distance of 15 mm	At separation distance of 20 mm	At separation distance of 25 mm
$\leq 300$	71 mW	101 mW	132 mW	162 mW	193 mW
450	52 mW	70 mW	88 mW	106 mW	123 mW
835	17 mW	30 mW	42 mW	55 mW	67 mW
1900	7 mW	10 mW	18 mW	34 mW	60 mW
2450	4 mW	7 mW	15 mW	30 mW	52 mW
3500	2 mW	6 mW	16 mW	32 mW	55 mW
5800	1 mW	6 mW	15 mW	27 mW	41 mW

Frequency (MHz)	Exemption Limits (mW)				
	At separation distance of 30 mm	At separation distance of 35 mm	At separation distance of 40 mm	At separation distance of 45 mm	At separation distance of $\geq 50$ mm
$\leq 300$	223 mW	254 mW	284 mW	315 mW	345 mW
450	141 mW	159 mW	177 mW	195 mW	213 mW
835	80 mW	92 mW	105 mW	117 mW	130 mW
1900	99 mW	153 mW	225 mW	316 mW	431 mW
2450	83 mW	123 mW	173 mW	235 mW	309 mW
3500	86 mW	124 mW	170 mW	225 mW	290 mW
5800	56 mW	71 mW	85 mW	97 mW	106 mW

Antenna	Frequency (MHz)	Max Target Power (dBm)	Antenna gain (dBi)	$P_{Max}$ (dBm)	$P_{Max}$ (mW)	Distance (mm)	$P_{th}$ (mW)	SAR Test Exclusion?
WLAN	2472	14.0	-0.42	14.0	25.12	< 5	4	No
WLAN	5240	10.0	0.15	10.15	10.35	< 5	1	No
WLAN	5825	9.5	0.15	9.65	9.23	< 5	1	No
Bluetooth	2480	6.5	-0.42	6.5	4.47	< 5	4	Yes

Note:

1. EIRP= Max Target Power+ Antenna gain.
2.  $P_{Max}$  refers to the greater value in the Max Target Power and EIRP.

**SAR test exclusion for the EUT edge considerations Result**

Antenna Distance To Edge(mm)						
Mode	Front	Back	Left	Right	Top	Bottom
Bluetooth	Required	Required	Exclusion	Required	Required	Exclusion
2.4G Wi-Fi	Required	Required	Exclusion	Required	Required	Exclusion
5G Wi-Fi	Required	Required	Exclusion	Required	Required	Exclusion
Main Antenna	Required	Required	Required	Required	Exclusion	Required
Aux Antenna	Required	Required	Required	Exclusion	Required	Exclusion

**Note:**

**Required:** The distance to Edge is less than 25mm, testing is required.

**Exclusion\*:** SAR test exclusion evaluation has been done above.

**Exclusion:** The distance to Edge is more than 25 mm, testing is not required.

**Extremity Exposure Configurations**

Per KDB 648474 D04v01r03, this device is considered a “Phablet” since the diagonal dimension is  $>160$  mm and  $<200$ mm, when hotspot mode applies, extremity SAR is required only for the surfaces and edges with hotspot mode scaled to the maximum output power (with tolerance is 1g SAR  $>1.2$  W/kg

Extremity Exposure Condition		
Worst Mode	Hotspot SAR value	Extremity Condition Test
5.2G Wi-Fi	0.28 W/kg@1g	Exclusion

**Exclusion:** Extremity Condition SAR testing is not required.

## Corrected SAR Evaluation

IEC/IEEE 62209-1528:2020

### 7.8.2 SAR correction formula

From Douglas et al. ([28], [29]), a linear relationship was found between the percentage change in SAR (denoted  $\Delta SAR$ ) and the percentage change in the permittivity and conductivity from the target values in Table 2 (denoted  $\Delta \epsilon_r$  and  $\Delta \sigma$ , respectively). This linear relationship agrees with the results of Kuster and Balzano [30] and Bit-Babik et al. [31]. The relationship is given by:

$$\Delta SAR = c_\epsilon \Delta \epsilon_r + c_\sigma \Delta \sigma \quad (8)$$

where

$c_\epsilon = \partial(\Delta SAR)/\partial(\Delta \epsilon_r)$  is the coefficient representing the sensitivity of SAR to permittivity where SAR is normalized to output power;

$c_\sigma = \partial(\Delta SAR)/\partial(\Delta \sigma)$  is the coefficient representing the sensitivity of SAR to conductivity, where SAR is normalized to output power.

The values of  $c_\epsilon$  and  $c_\sigma$  have a simple relationship with frequency that can be described using polynomial equations. For dipole antennas at frequencies from 4 MHz to 6 GHz, the 1 g averaged SAR  $c_\epsilon$  and  $c_\sigma$  are given by

$$c_\epsilon = -7,854 \times 10^{-4} f^3 + 9,402 \times 10^{-3} f^2 - 2,742 \times 10^{-2} f - 0,2026 \quad (9)$$

$$c_\sigma = 9,804 \times 10^{-3} f^3 - 8,661 \times 10^{-2} f^2 + 2,981 \times 10^{-2} f + 0,7829 \quad (10)$$

where  $f$  is the frequency in GHz. Above 6 GHz, the sensitivity is non-varying with frequency due to the small penetration depth; the values of  $c_\epsilon = -0,198$  and  $c_\sigma = 0$  shall be used.

For frequencies from 4 MHz to 6 GHz, the 10 g averaged SAR  $c_\epsilon$  and  $c_\sigma$  are given by:

$$c_\epsilon = 3,456 \times 10^{-3} f^3 - 3,531 \times 10^{-2} f^2 + 7,675 \times 10^{-2} f - 0,1860 \quad (11)$$

$$c_\sigma = 4,479 \times 10^{-3} f^3 - 1,586 \times 10^{-2} f^2 - 0,1972 f + 0,7717 \quad (12)$$

#### Note:

According to Notice 2012-DRS0529, if the dielectric properties of the tissue simulating liquid are equal or less than 5% of the target values, the measured uncertainty is added to the uncertainty budget, corrected SAR is not necessary.

## SAR MEASUREMENT RESULTS

This page summarizes the results of the performed dosimetric evaluation.

### SAR Test Data

#### Environmental Conditions

<b>Temperature:</b>	23.1-23.9 °C	22.3-23.5 °C	22.1-23.2 °C	22.8-23.6 °C	22.5-23.5 °C	23.1-23.9 °C
<b>Relative Humidity:</b>	45-59 %	42-58 %	47-60 %	51-62 %	42-55 %	45-59 %
<b>ATM Pressure:</b>	101.3 kPa	101.3 kPa	101.3 kPa	101.3 kPa	101.3 kPa	101.3 kPa
<b>Test Date:</b>	2022/09/15	2022/09/16	2022/09/17	2022/09/18	2022/09/19	2022/09/20

<b>Temperature:</b>	22.5-23.2 °C
<b>Relative Humidity:</b>	53-60 %
<b>ATM Pressure:</b>	101.3 kPa
<b>Test Date:</b>	2022/09/21

*Testing was performed by Seven Liang, Jacky Yang, Ryse Chai.*

**GSM 850 :**

EUT Position	Frequency (MHz)	Test Mode	Max. Meas. Power (dBm)	Max. Rated Power (dBm)	1g SAR (W/kg)			
					Scaled Factor	Meas. SAR	Scaled SAR	Plot
Head Left Cheek	824.2	GSM	/	/	/	/	/	/
	836.6	GSM	31.9	32.5	1.148	0.066	0.08	1
	848.8	GSM	/	/	/	/	/	/
Head Left Tilt	824.2	GSM	/	/	/	/	/	/
	836.6	GSM	31.9	32.5	1.148	0.035	0.04	2
	848.8	GSM	/	/	/	/	/	/
Head Right Cheek	824.2	GSM	31.9	32.5	1.148	0.077	0.09	3
	836.6	GSM	31.9	32.5	1.148	0.072	0.08	4
	848.8	GSM	31.8	32.5	1.175	0.072	0.08	5
Head Right Tilt	824.2	GSM	/	/	/	/	/	/
	836.6	GSM	31.9	32.5	1.148	0.023	0.03	6
	848.8	GSM	/	/	/	/	/	/
Body Worn Back (10mm)	824.2	GSM	/	/	/	/	/	/
	836.6	GSM	31.9	32.5	1.096	0.117	0.13	7
	848.8	GSM	/	/	/	/	/	/
Body Front (10mm)	824.2	GPRS	/	/	/	/	/	/
	836.6	GPRS	28.99	29.5	1.125	0.12	0.13	8
	848.8	GPRS	/	/	/	/	/	/
Body Back (10mm)	824.2	GPRS	29.18	29.5	1.076	0.219	0.24	9
	836.6	GPRS	28.99	29.5	1.125	0.21	0.24	10
	848.8	GPRS	28.94	29.5	1.138	0.23	0.26	11
Body Left (10mm)	824.2	GPRS	/	/	/	/	/	/
	836.6	GPRS	28.99	29.5	1.125	0.059	0.07	12
	848.8	GPRS	/	/	/	/	/	/
Body Right (10mm)	824.2	GPRS	/	/	/	/	/	/
	836.6	GPRS	28.99	29.5	1.125	0.106	0.12	13
	848.8	GPRS	/	/	/	/	/	/
Body Bottom (10mm)	824.2	GPRS	/	/	/	/	/	/
	836.6	GPRS	28.99	29.5	1.125	0.093	0.10	14
	848.8	GPRS	/	/	/	/	/	/

**Note:**

1. Based on the Notice 2016-DRS001 requirements, the low, mid and high frequency channels for the configuration with the highest SAR value must be tested regardless of the SAR value measured.
2. The EUT transmit and receive through the same GSM antenna while testing SAR.
3. When SAR or MPE is not measured at the maximum power level allowed for production units, the results must be scaled to the maximum tune-up tolerance limit according to the power applied to the individual channels tested to determine compliance.
4. When the maximum output power variation across the required test channels is > 0.5 dB, instead of the middle channel, the highest output power channel must be used.
5. The Multi-slot Classes of EUT is Class 12 which has maximum 4 Downlink slots and 4 Uplink slots, the maximum active slots is 5, when perform the multiple slots scan, 1DL+4UL is the worst case.

**PCS 1900 :**

EUT Position	Frequency (MHz)	Test Mode	Max. Meas. Power (dBm)	Max. Rated Power (dBm)	1g SAR (W/kg)			
					Scaled Factor	Meas. SAR	Scaled SAR	Plot
Head Left Cheek	1850.2	GSM	/	/	/	/	/	/
	1880	GSM	28.9	30.5	1.445	0.00818	0.01	15
	1909.8	GSM	/	/	/	/	/	/
Head Left Tilt	1850.2	GSM	/	/	/	/	/	/
	1880	GSM	28.9	30.5	1.445	0.014	0.02	16
	1909.8	GSM	/	/	/	/	/	/
Head Right Cheek	1850.2	GSM	29.4	30.5	1.288	0.221	0.28	17
	1880	GSM	28.9	30.5	1.445	0.141	0.20	18
	1909.8	GSM	28.4	30.5	1.622	0.111	0.18	19
Head Right Tilt	1850.2	GSM	/	/	/	/	/	/
	1880	GSM	28.9	30.5	1.445	0.018	0.03	20
	1909.8	GSM	/	/	/	/	/	/
Body Worn Back (10mm)	1850.2	GSM	/	/	/	/	/	/
	1880	GSM	28.9	30.5	1.445	0.055	0.08	21
	1909.8	GSM	/	/	/	/	/	/
Body Front (10mm)	1850.2	GPRS	/	/	/	/	/	/
	1880	GPRS	26.12	26.5	1.091	0.062	0.07	22
	1909.8	GPRS	/	/	/	/	/	/
Body Back (10mm)	1850.2	GPRS	26.65	27.0	1.084	0.154	0.17	23
	1880	GPRS	26.12	26.5	1.091	0.096	0.10	24
	1909.8	GPRS	25.82	26.0	1.042	0.077	0.08	25
Body Left (10mm)	1850.2	GPRS	/	/	/	/	/	/
	1880	GPRS	26.12	26.5	1.091	0.073	0.08	26
	1909.8	GPRS	/	/	/	/	/	/
Body Top (10mm)	1850.2	GPRS	/	/	/	/	/	/
	1880	GPRS	26.12	26.5	1.091	0.012	0.01	27
	1909.8	GPRS	/	/	/	/	/	/

**Note:**

1. Based on the Notice 2016-DRS001 requirements, the low, mid and high frequency channels for the configuration with the highest SAR value must be tested regardless of the SAR value measured.
2. The EUT transmit and receive through the same GSM antenna while testing SAR.
3. When SAR or MPE is not measured at the maximum power level allowed for production units, the results must be scaled to the maximum tune-up tolerance limit according to the power applied to the individual channels tested to determine compliance.
4. When the maximum output power variation across the required test channels is > 0.5 dB, instead of the middle channel, the highest output power channel must be used.
5. The Multi-slot Classes of EUT is Class 12 which has maximum 4 Downlink slots and 4 Uplink slots, the maximum active slots is 5, when perform the multiple slots scan, 1DL+4UL is the worst case.

**WCDMA Band 2 :**

EUT Position	Frequency (MHz)	Test Mode	Max. Meas. Power (dBm)	Max. Rated Power (dBm)	1g SAR (W/kg)			
					Scaled Factor	Meas. SAR	Scaled SAR	Plot
Head Left Cheek	1852.4	RMC	/	/	/	/	/	/
	1880	RMC	23.15	23.5	1.084	0.119	0.13	28
	1907.6	RMC	/	/	/	/	/	/
Head Left Tilt	1852.4	RMC	/	/	/	/	/	/
	1880	RMC	23.15	23.5	1.084	0.175	0.19	29
	1907.6	RMC	/	/	/	/	/	/
Head Right Cheek	1852.4	RMC	23.09	23.5	1.099	0.29	0.32	30
	1880	RMC	23.15	23.5	1.084	0.268	0.29	31
	1907.6	RMC	22.97	23.5	1.130	0.21	0.24	32
Head Right Tilt	1852.4	RMC	/	/	/	/	/	/
	1880	RMC	23.15	23.5	1.084	0.262	0.28	33
	1907.6	RMC	/	/	/	/	/	/
Body Front (10mm)	1852.4	RMC	/	/	/	/	/	/
	1880	RMC	23.15	23.5	1.084	0.067	0.07	34
	1907.6	RMC	/	/	/	/	/	/
Body Back (10mm)	1852.4	RMC	23.09	23.5	1.099	0.138	0.15	35
	1880	RMC	23.15	23.5	1.084	0.107	0.12	36
	1907.6	RMC	22.97	23.5	1.130	0.108	0.12	37
Body Left (10mm)	1852.4	RMC	/	/	/	/	/	/
	1880	RMC	23.15	23.5	1.084	0.013	0.01	38
	1907.6	RMC	/	/	/	/	/	/
Body Top (10mm)	1852.4	RMC	/	/	/	/	/	/
	1880	RMC	23.15	23.5	1.084	0.082	0.09	39
	1907.6	RMC	/	/	/	/	/	/



**WCDMA Band 5 :**

EUT Position	Frequency (MHz)	Test Mode	Max. Meas. Power (dBm)	Max. Rated Power (dBm)	1g SAR (W/kg)			
					Scaled Factor	Meas. SAR	Scaled SAR	Plot
Head Left Cheek	826.4	RMC	22.91	23.0	1.021	0.022	0.02	40
	836.6	RMC	22.69	23.0	1.074	0.129	0.14	41
	846.6	RMC	22.94	23.0	1.014	0.012	0.01	42
Head Left Tilt	826.4	RMC	/	/	/	/	/	/
	836.6	RMC	22.69	23.0	1.074	0.069	0.07	43
	846.6	RMC	/	/	/	/	/	/
Head Right Cheek	826.4	RMC	/	/	/	/	/	/
	836.6	RMC	22.69	23.0	1.074	0.129	0.14	44
	846.6	RMC	/	/	/	/	/	/
Head Right Tilt	826.4	RMC	/	/	/	/	/	/
	836.6	RMC	22.69	23.0	1.074	0.044	0.05	45
	846.6	RMC	/	/	/	/	/	/
Body Front (10mm)	826.4	RMC	/	/	/	/	/	/
	836.6	RMC	22.69	23.0	1.074	0.128	0.14	46
	846.6	RMC	/	/	/	/	/	/
Body Back (10mm)	826.4	RMC	22.91	23.0	1.021	0.189	0.19	47
	836.6	RMC	22.69	23.0	1.074	0.205	0.22	48
	846.6	RMC	22.94	23.0	1.014	0.186	0.19	49
Body Left (10mm)	826.4	RMC	/	/	/	/	/	/
	836.6	RMC	22.69	23.0	1.074	0.06	0.06	50
	846.6	RMC	/	/	/	/	/	/
Body Right (10mm)	826.4	RMC	/	/	/	/	/	/
	836.6	RMC	22.69	23.0	1.074	0.111	0.12	51
	846.6	RMC	/	/	/	/	/	/
Body Bottom (10mm)	826.4	RMC	/	/	/	/	/	/
	836.6	RMC	22.69	23.0	1.074	0.083	0.09	52
	846.6	RMC	/	/	/	/	/	/

**Note:**

1. Based on the Notice 2016-DRS001 requirements, the low, mid and high frequency channels for the configuration with the highest SAR value must be tested regardless of the SAR value measured.
2. The EUT transmit and receive through the same antenna while testing SAR.
3. The default test configuration is to measure SAR with an established radio link between the EUT and a communication test set using a 12.2 kbps RMC (reference measurement Channel) Configured in Test Loop Model.
4. KDB 941225 D01-Body SAR is not required for HSDPA/HSUPA/ HSPA+ when the maximum average output of each RF channel is less than ¼ dB higher than measured 12.2kbps RMC or the maximum SAR for 12.2kbps RMC is < 75% of SAR limit.
5. When SAR or MPE is not measured at the maximum power level allowed for production units, the results must be scaled to the maximum tune-up tolerance limit according to the power applied to the individual channels tested to determine compliance.

## LTE Band 2 :

EUT Position	Frequency (MHz)	Bandwidth (MHz)	Test Mode	Max. Meas. Power (dBm)	Max. Rated Power (dBm)	1g SAR (W/kg)			
						Scaled Factor	Meas. SAR	Scaled SAR	Plot
Head Left Cheek	1860	20	1RB	/	/	/	/	/	/
	1880	20	1RB	22.92	23.5	1.143	0.157	0.18	53
	1900	20	1RB	/	/	/	/	/	/
	1880	20	50%RB	23.22	23.5	1.067	0.119	0.13	54
Head Left Tilt	1860	20	1RB	/	/	/	/	/	/
	1880	20	1RB	22.92	23.5	1.143	0.198	0.23	55
	1900	20	1RB	/	/	/	/	/	/
	1880	20	50%RB	23.22	23.5	1.067	0.149	0.16	56
Head Right Cheek	1860	20	1RB	22.94	23.5	1.138	0.338	0.38	57
	1880	20	1RB	22.92	23.5	1.143	0.276	0.32	58
	1900	20	1RB	23.06	23.5	1.107	0.271	0.30	59
	1880	20	50%RB	23.22	23.5	1.067	0.21	0.22	60
Head Right Tilt	1860	20	1RB	/	/	/	/	/	/
	1880	20	1RB	22.92	23.5	1.143	0.27	0.31	61
	1900	20	1RB	/	/	/	/	/	/
	1880	20	50%RB	23.22	23.5	1.067	0.206	0.22	62
Body Front (10mm)	1860	20	1RB	/	/	/	/	/	/
	1880	20	1RB	22.92	23.5	1.143	0.1	0.11	63
	1900	20	1RB	/	/	/	/	/	/
	1880	20	50%RB	23.22	23.5	1.067	0.073	0.08	64
Body Back (10mm)	1860	20	1RB	/	/	/	/	/	/
	1880	20	1RB	22.92	23.5	1.143	0.096	0.11	65
	1900	20	1RB	/	/	/	/	/	/
	1880	20	50%RB	23.22	23.5	1.067	0.12	0.13	66
Body Left (10mm)	1860	20	1RB	22.94	23.5	1.138	0.106	0.12	67
	1880	20	1RB	22.92	23.5	1.143	0.128	0.15	68
	1900	20	1RB	23.06	23.5	1.107	0.07	0.08	69
	1880	20	50%RB	23.22	23.5	1.067	0.094	0.10	70
Body Top (10mm)	1860	20	1RB	/	/	/	/	/	/
	1880	20	1RB	22.92	23.5	1.143	0.018	0.02	71
	1900	20	1RB	/	/	/	/	/	/
	1880	20	50%RB	23.22	23.5	1.067	0.011	0.01	72

## LTE Band 5 :

EUT Position	Frequency (MHz)	Bandwidth (MHz)	Test Mode	Max. Meas. Power (dBm)	Max. Rated Power (dBm)	1g SAR (W/kg)			
						Scaled Factor	Meas. SAR	Scaled SAR	Plot
Head Left Cheek	829	10	1RB	22.96	23.5	1.132	0.109	0.12	73
	836.5	10	1RB	22.98	23.5	1.127	0.077	0.09	74
	844	10	1RB	22.88	23.5	1.153	0.105	0.12	75
	836.5	10	50%RB	22.92	23.5	1.143	0.062	0.07	76
Head Left Tilt	829	10	1RB	/	/	/	/	/	/
	836.5	10	1RB	22.98	23.5	1.127	0.015	0.02	77
	844	10	1RB	/	/	/	/	/	/
	836.5	10	50%RB	22.92	23.5	1.143	0.00964	0.01	78
Head Right Cheek	829	10	1RB	/	/	/	/	/	/
	836.5	10	1RB	22.98	23.5	1.127	0.028	0.03	79
	844	10	1RB	/	/	/	/	/	/
	836.5	10	50%RB	22.92	23.5	1.143	0.02	0.02	80
Head Right Tilt	829	10	1RB	/	/	/	/	/	/
	836.5	10	1RB	22.98	23.5	1.127	0.011	0.01	81
	844	10	1RB	/	/	/	/	/	/
	836.5	10	50%RB	22.92	23.5	1.143	0.00822	0.01	82
Body Front (10mm)	829	10	1RB	/	/	/	/	/	/
	836.5	10	1RB	22.98	23.5	1.127	0.069	0.08	83
	844	10	1RB	/	/	/	/	/	/
	836.5	10	50%RB	22.92	23.5	1.143	0.052	0.06	84
Body Back (10mm)	829	10	1RB	22.96	23.5	1.132	0.169	0.19	85
	836.5	10	1RB	22.98	23.5	1.127	0.22	0.25	86
	844	10	1RB	22.88	23.5	1.153	0.178	0.21	87
	836.5	10	50%RB	22.92	23.5	1.143	0.174	0.20	88
Body Left (10mm)	829	10	1RB	/	/	/	/	/	/
	836.5	10	1RB	22.98	23.5	1.127	0.08	0.09	89
	844	10	1RB	/	/	/	/	/	/
	836.5	10	50%RB	22.92	23.5	1.143	0.087	0.10	90
Body Right (10mm)	829	10	1RB	/	/	/	/	/	/
	836.5	10	1RB	22.98	23.5	1.127	0.122	0.14	91
	844	10	1RB	/	/	/	/	/	/
	836.5	10	50%RB	22.92	23.5	1.143	0.097	0.11	92
Body Bottom (10mm)	829	10	1RB	/	/	/	/	/	/
	836.5	10	1RB	22.98	23.5	1.127	0.091	0.10	93
	844	10	1RB	/	/	/	/	/	/
	836.5	10	50%RB	22.92	23.5	1.143	0.075	0.09	94

## LTE Band 12 :

EUT Position	Frequency (MHz)	Bandwidth (MHz)	Test Mode	Max. Meas. Power (dBm)	Max. Rated Power (dBm)	1g SAR (W/kg)			
						Scaled Factor	Meas. SAR	Scaled SAR	Plot
Head Left Cheek	704	10	1RB	22.37	23.0	1.156	0.072	0.08	95
	707.5	10	1RB	22.21	23.0	1.199	0.073	0.09	96
	711	10	1RB	22.41	23.0	1.146	0.075	0.09	97
	707.5	10	50%RB	22.47	23.0	1.130	0.066	0.07	98
Head Left Tilt	704	10	1RB	/	/	/	/	/	/
	707.5	10	1RB	22.21	23.0	1.199	0.039	0.05	99
	711	10	1RB	/	/	/	/	/	/
	707.5	10	50%RB	22.47	23.0	1.130	0.036	0.04	100
Head Right Cheek	704	10	1RB	/	/	/	/	/	/
	707.5	10	1RB	22.21	23.0	1.199	0.067	0.08	101
	711	10	1RB	/	/	/	/	/	/
	707.5	10	50%RB	22.47	23.0	1.130	0.062	0.07	102
Head Right Tilt	704	10	1RB	/	/	/	/	/	/
	707.5	10	1RB	22.21	23.0	1.199	0.022	0.03	103
	711	10	1RB	/	/	/	/	/	/
	707.5	10	50%RB	22.47	23.0	1.130	0.02	0.02	104
Body Front (10mm)	704	10	1RB	/	/	/	/	/	/
	707.5	10	1RB	22.21	23.0	1.199	0.046	0.06	105
	711	10	1RB	/	/	/	/	/	/
	707.5	10	50%RB	22.47	23.0	1.130	0.04	0.05	106
Body Back (10mm)	704	10	1RB	22.37	23.0	1.156	0.088	0.10	107
	707.5	10	1RB	22.21	23.0	1.199	0.109	0.13	108
	711	10	1RB	22.41	23.0	1.146	0.102	0.12	109
	707.5	10	50%RB	22.47	23.0	1.130	0.097	0.11	110
Body Left (10mm)	704	10	1RB	/	/	/	/	/	/
	707.5	10	1RB	22.21	23.0	1.199	0.068	0.08	111
	711	10	1RB	/	/	/	/	/	/
	707.5	10	50%RB	22.47	23.0	1.130	0.061	0.07	112
Body Right (10mm)	704	10	1RB	/	/	/	/	/	/
	707.5	10	1RB	22.21	23.0	1.199	0.097	0.12	113
	711	10	1RB	/	/	/	/	/	/
	707.5	10	50%RB	22.47	23.0	1.130	0.087	0.10	114
Body Bottom (10mm)	704	10	1RB	/	/	/	/	/	/
	707.5	10	1RB	22.21	23.0	1.199	0.022	0.03	115
	711	10	1RB	/	/	/	/	/	/
	707.5	10	50%RB	22.47	23.0	1.130	0.021	0.02	116

## LTE Band 13 :

EUT Position	Frequency (MHz)	Bandwidth (MHz)	Test Mode	Max. Meas. Power (dBm)	Max. Rated Power (dBm)	1g SAR (W/kg)			
						Scaled Factor	Meas. SAR	Scaled SAR	Plot
Head Left Cheek	/	/	/	/	/	/	/	/	/
	782	10	1RB	22.32	23.0	1.169	0.077	0.09	117
	/	/	/	/	/	/	/	/	/
	782	10	50%RB	22.60	23.0	1.096	0.057	0.06	118
Head Left Tilt	/	/	/	/	/	/	/	/	/
	782	10	1RB	22.32	23.0	1.169	0.045	0.05	119
	/	/	/	/	/	/	/	/	/
	782	10	50%RB	22.60	23.0	1.096	0.035	0.04	120
Head Right Cheek	/	/	/	/	/	/	/	/	/
	782	10	1RB	22.32	23.0	1.169	0.077	0.09	121
	/	/	/	/	/	/	/	/	/
	782	10	50%RB	22.60	23.0	1.096	0.061	0.07	122
Head Right Tilt	/	/	/	/	/	/	/	/	/
	782	10	1RB	22.32	23.0	1.169	0.031	0.04	123
	/	/	/	/	/	/	/	/	/
	782	10	50%RB	22.60	23.0	1.096	0.023	0.03	124
Body Front (10mm)	/	/	/	/	/	/	/	/	/
	782	10	1RB	22.32	23.0	1.169	0.068	0.08	125
	/	/	/	/	/	/	/	/	/
	782	10	50%RB	22.60	23.0	1.096	0.054	0.06	126
Body Back (10mm)	/	/	/	/	/	/	/	/	/
	782	10	1RB	22.32	23.0	1.169	0.052	0.06	127
	/	/	/	/	/	/	/	/	/
	782	10	50%RB	22.60	23.0	1.096	0.041	0.04	128
Body Left (10mm)	/	/	/	/	/	/	/	/	/
	782	10	1RB	22.32	23.0	1.169	0.063	0.07	129
	/	/	/	/	/	/	/	/	/
	782	10	50%RB	22.60	23.0	1.096	0.048	0.05	130
Body Right (10mm)	/	/	/	/	/	/	/	/	/
	782	10	1RB	22.32	23.0	1.169	0.096	0.11	131
	/	/	/	/	/	/	/	/	/
	782	10	50%RB	22.60	23.0	1.096	0.076	0.08	132
Body Bottom (10mm)	/	/	/	/	/	/	/	/	/
	782	10	1RB	22.32	23.0	1.169	0.057	0.07	133
	/	/	/	/	/	/	/	/	/
	782	10	50%RB	22.60	23.0	1.096	0.045	0.05	134

## LTE Band 41 (Power Class 3) :

EUT Position	Frequency (MHz)	Bandwidth (MHz)	Test Mode	Max. Meas. Power (dBm)	Max. Rated Power (dBm)	1g SAR (W/kg)			
						Scaled Factor	Meas. SAR	Scaled SAR	Plot
Head Left Cheek	2545	20	1RB	20.66	21.0	1.081	0.095	0.10	135
	2570	20	1RB	20.66	21.0	1.081	0.044	0.05	136
	2595	20	1RB	21.07	21.5	1.104	0.062	0.07	137
	2620	20	1RB	21.07	21.5	1.104	0.042	0.05	138
	2645	20	1RB	21.18	21.5	1.076	0.036	0.04	139
	2595	20	50%RB	21.45	21.5	1.012	0.051	0.05	140
Head Left Tilt	2545	20	1RB	/	/	/	/	/	/
	2570	20	1RB	/	/	/	/	/	/
	2595	20	1RB	21.07	21.5	1.104	0.00962	0.01	141
	2620	20	1RB	/	/	/	/	/	/
	2645	20	1RB	/	/	/	/	/	/
	2595	20	50%RB	21.45	21.5	1.012	0.01	0.01	142
Head Right Cheek	2545	20	1RB	/	/	/	/	/	/
	2570	20	1RB	/	/	/	/	/	/
	2595	20	1RB	21.07	21.5	1.104	0.023	0.03	143
	2620	20	1RB	/	/	/	/	/	/
	2645	20	1RB	/	/	/	/	/	/
	2595	20	50%RB	21.45	21.5	1.012	0.018	0.02	144
Head Right Tilt	2545	20	1RB	/	/	/	/	/	/
	2570	20	1RB	/	/	/	/	/	/
	2595	20	1RB	21.07	21.5	1.104	0.032	0.04	145
	2620	20	1RB	/	/	/	/	/	/
	2645	20	1RB	/	/	/	/	/	/
	2595	20	50%RB	21.45	21.5	1.012	0.021	0.02	146
Body Front (10mm)	2545	20	1RB	/	/	/	/	/	/
	2570	20	1RB	/	/	/	/	/	/
	2595	20	1RB	21.07	21.5	1.104	0.067	0.07	147
	2620	20	1RB	/	/	/	/	/	/
	2645	20	1RB	/	/	/	/	/	/
	2595	20	50%RB	21.45	21.5	1.012	0.051	0.05	148
Body Back (10mm)	2545	20	1RB	20.66	21.0	1.081	0.131	0.14	149
	2570	20	1RB	20.66	21.0	1.081	0.112	0.12	150
	2595	20	1RB	21.07	21.5	1.104	0.145	0.16	151
	2620	20	1RB	21.07	21.5	1.104	0.11	0.12	152
	2645	20	1RB	21.18	21.5	1.076	0.106	0.11	153
	2595	20	50%RB	21.45	21.5	1.012	0.125	0.13	154
Body Left (10mm)	2545	20	1RB	/	/	/	/	/	/
	2570	20	1RB	/	/	/	/	/	/
	2595	20	1RB	21.07	21.5	1.104	0.077	0.09	155
	2620	20	1RB	/	/	/	/	/	/
	2645	20	1RB	/	/	/	/	/	/

	2595	20	50%RB	21.45	21.5	1.012	0.058	0.06	156
Body Right (10mm)	2545	20	1RB	/	/	/	/	/	/
	2570	20	1RB	/	/	/	/	/	/
	2595	20	1RB	21.07	21.5	1.104	0.00149	0.01	157
	2620	20	1RB	/	/	/	/	/	/
	2645	20	1RB	/	/	/	/	/	/
	2595	20	50%RB	21.45	21.5	1.012	0.00192	0.01	158
Body Bottom (10mm)	2545	20	1RB	/	/	/	/	/	/
	2570	20	1RB	/	/	/	/	/	/
	2595	20	1RB	21.07	21.5	1.104	0.083	0.09	159
	2620	20	1RB	/	/	/	/	/	/
	2645	20	1RB	/	/	/	/	/	/
	2595	20	50%RB	21.45	21.5	1.012	0.065	0.07	160

**Note:**

1. Based on the Notice 2016-DRS001 requirements, the low, mid and high frequency channels for the configuration with the highest SAR value must be tested regardless of the SAR value measured.
2. SAR for LTE band exposure configurations is measured according to the procedures of KDB 941225 D05 SAR for LTE Devices v02.
3. KDB941225D05-SAR for higher order modulation is required only when the highest maximum output power for the configuration in the higher order modulation is > 0.5 dB higher than the same configuration in QPSK or when the reported SAR for the QPSK configuration is > 1.45 W/kg
4. KDB941225D05-For QPSK with 100% RB allocation, when the reported SAR measured for the Highest output power channel is <1.45 W/kg, tests for the remaining required test channels are optional.
5. KDB941225D05- For QPSK with 100% RB allocation, SAR is not required when the highest maximum output power for 100 % RB allocation is less than the highest maximum output power in 50% and 1 RB allocations and the highest reported SAR for 1 RB and 50% RB allocation are  $\leq 0.8$  W/kg.
6. KDB941225D05- Start with the largest channel bandwidth and measure SAR for QPSK with 1 RB allocation, using the RB offset and required test channel combination with the highest maximum output power among RB offset the upper edge, middle and lower edge of each required test channel.
7. KDB941225D05- other channel bandwidths SAR test is required when the highest maximum output power of a configuration requiring testing in the smaller channel bandwidth is > 0.5 dB higher than the equivalent channel configurations in the largest channel bandwidth configuration or the reported SAR of a configuration for the largest channel bandwidth is > 1.45 W/kg.
8. Worst case SAR for 50% RB allocation is selected to be tested.
9. KDB 648474 D04-When the peak SAR located in regions that probe is unable to access, a flat phantom is used for SAR measurement.
10. From May 2017 TCB Workshop, SAR tested were performed using Power Class 3 and maximum output power(Tune-up Limit) PC3 is higher from PC2.

**WLAN:**

EUT Position	Frequency (MHz)	Test Mode	Max. Meas. Power (dBm)	Max. Rated Power (dBm)	Scaled Factor	1g SAR (W/kg)			
						Meas. SAR	Duty Cycle (%)	Scaled SAR	Plot
Head Left Cheek	2412	802.11b	/	/	/	/	/	/	/
	2442	802.11b	13.51	14.0	1.119	0.207	99.53	0.23	161
	2472	802.11b	/	/	/	/	/	/	/
Head Left Tilt	2412	802.11b	13.33	14.0	1.167	0.257	99.53	0.30	162
	2442	802.11b	13.51	14.0	1.119	0.234	99.53	0.26	163
	2472	802.11b	13.08	14.0	1.236	0.214	99.53	0.26	164
Head Right Cheek	2412	802.11b	/	/	/	/	/	/	/
	2442	802.11b	13.51	14.0	1.119	0.108	99.53	0.12	165
	2472	802.11b	/	/	/	/	/	/	/
Head Right Tilt	2412	802.11b	/	/	/	/	/	/	/
	2442	802.11b	13.51	14.0	1.119	0.182	99.53	0.20	166
	2472	802.11b	/	/	/	/	/	/	/
Body Front (10mm)	2412	802.11b	/	/	/	/	/	/	/
	2442	802.11b	13.51	14.0	1.119	0.021	99.53	0.02	167
	2472	802.11b	/	/	/	/	/	/	/
Body Back (10mm)	2412	802.11b	13.33	14.0	1.167	0.037	99.53	0.04	168
	2442	802.11b	13.51	14.0	1.119	0.062	99.53	0.07	169
	2472	802.11b	13.08	14.0	1.236	0.067	99.53	0.08	170
Body Right (10mm)	2412	802.11b	/	/	/	/	/	/	/
	2442	802.11b	13.51	14.0	1.119	0.013	99.53	0.01	171
	2472	802.11b	/	/	/	/	/	/	/
Body Top (10mm)	2412	802.11b	/	/	/	/	/	/	/
	2442	802.11b	13.51	14.0	1.119	0.041	99.53	0.05	172
	2472	802.11b	/	/	/	/	/	/	/

**Note:**

1. Based on the Notice 2016-DRS001 requirements, the low, mid and high frequency channels for the configuration with the highest SAR value must be tested regardless of the SAR value measured.
2. When the highest *reported* SAR for DSSS is adjusted by the ratio of OFDM to DSSS specified maximum output power and the adjusted SAR is  $\leq 1.2$  W/kg, OFDM SAR is not required.
3. When SAR or MPE is not measured at the maximum power level allowed for production units, the results must be scaled to the maximum tune-up tolerance limit according to the power applied to the individual channels tested to determine compliance.
4. When the same maximum power is specified for multiple transmission modes in a frequency band, the largest channel bandwidth, lowest order modulation, lowest data rate and lowest order 802.11b/g/n mode is use for SAR measurement, on the highest measured output power channel in the initial test configuration, for each frequency band.
5. According 2016 Oct. TCB, for SAR testing of 2.4G WIFI 802.11b signal with non-100% duty cycle, the measured SAR is scaled-up by the duty cycle scaling factor which is equal to "1/(duty cycle)".



EUT Position	Frequency (MHz)	Test Mode	Max. Meas. Power (dBm)	Max. Rated Power (dBm)	Scaled Factor	1g SAR (W/kg)			
						Meas. SAR	Duty Cycle (%)	Scaled SAR	Plot
Head Left Cheek	5180	802.11a	/	/	/	/	/	/	/
	5200	802.11a	9.49	10.0	1.125	0.229	96.53	0.27	173
	5240	802.11a	/	/	/	/	/	/	/
Head Left Tilt	5180	802.11a	9.26	10.0	1.186	0.309	96.53	0.38	174
	5200	802.11a	9.49	10.0	1.125	0.292	96.53	0.34	175
	5240	802.11a	9.27	10.0	1.183	0.322	96.53	0.39	176
Head Right Cheek	5180	802.11a	/	/	/	/	/	/	/
	5200	802.11a	9.49	10.0	1.125	0.222	96.53	0.26	177
	5240	802.11a	/	/	/	/	/	/	/
Head Right Tilt	5180	802.11a	/	/	/	/	/	/	/
	5200	802.11a	9.49	10.0	1.125	0.287	96.53	0.33	178
	5240	802.11a	/	/	/	/	/	/	/
Body Front (10mm)	5180	802.11a	/	/	/	/	/	/	/
	5200	802.11a	9.49	10.0	1.125	0.076	96.53	0.09	179
	5240	802.11a	/	/	/	/	/	/	/
Body Back (10mm)	5180	802.11a	9.26	10.0	1.186	0.195	96.53	0.24	180
	5200	802.11a	9.49	10.0	1.125	0.228	96.53	0.27	181
	5240	802.11a	9.27	10.0	1.183	0.227	96.53	0.28	182
Body Right (10mm)	5180	802.11a	/	/	/	/	/	/	/
	5200	802.11a	9.49	10.0	1.125	0.020	96.53	0.02	183
	5240	802.11a	/	/	/	/	/	/	/
Body Top (10mm)	5180	802.11a	/	/	/	/	/	/	/
	5200	802.11a	9.49	10.0	1.125	0.209	96.53	0.25	184
	5240	802.11a	/	/	/	/	/	/	/

EUT Position	Frequency (MHz)	Test Mode	Max. Meas. Power (dBm)	Max. Rated Power (dBm)	Scaled Factor	1g SAR (W/kg)			
						Meas. SAR	Duty Cycle (%)	Scaled SAR	Plot
Head Left Cheek	5745	802.11a	/	/	/	/		/	/
	5785	802.11a	8.73	9.0	1.064	0.281	96.53	0.31	185
	5825	802.11a	/	/	/	/		/	/
Head Left Tilt	5745	802.11a	8.46	9.0	1.132	0.332	96.53	0.39	186
	5785	802.11a	8.73	9.0	1.064	0.321	96.53	0.35	187
	5825	802.11a	9.30	9.5	1.047	0.314	96.53	0.34	188
Head Right Cheek	5745	802.11a	/	/	/	/		/	/
	5785	802.11a	8.73	9.0	1.064	0.178	96.53	0.20	189
	5825	802.11a	/	/	/	/		/	/
Head Right Tilt	5745	802.11a	/	/	/	/		/	/
	5785	802.11a	8.73	9.0	1.064	0.256	96.53	0.28	190
	5825	802.11a	/	/	/	/		/	/
Body Front (10mm)	5745	802.11a	/	/	/	/		/	/
	5785	802.11a	8.73	9.0	1.064	0.036	96.53	0.04	191
	5825	802.11a	/	/	/	/		/	/
Body Back (10mm)	5745	802.11a	/	/	/	/		/	/
	5785	802.11a	8.73	9.0	1.064	0.149	96.53	0.17	192
	5825	802.11a	/	/	/	/		/	/
Body Right (10mm)	5745	802.11a	/	/	/	/		/	/
	5785	802.11a	8.73	9.0	1.064	0.028	96.53	0.03	193
	5825	802.11a	/	/	/	/		/	/
Body Top (10mm)	5745	802.11a	8.46	9.0	1.132	0.163	96.53	0.19	194
	5785	802.11a	8.73	9.0	1.064	0.189	96.53	0.21	195
	5825	802.11a	9.30	9.5	1.047	0.230	96.53	0.25	196

**Note:**

1. Based on the Notice 2016-DRS001 requirements, the low, mid and high frequency channels for the configuration with the highest SAR value must be tested regardless of the SAR value measured.
2. When SAR or MPE is not measured at the maximum power level allowed for production units, the results must be scaled to the maximum tune-up tolerance limit according to the power applied to the individual channels tested to determine compliance
3. According 2016 Oct. TCB, for SAR testing of 5G WIFI 802.11a signal with non-100% duty cycle, the measured SAR is scaled-up by the duty cycle scaling factor which is equal to "1/(duty cycle)".

**Bluetooth:**

EUT Position	Frequency (MHz)	Test Mode	Max. Meas. Power (dBm)	Max. Rated Power (dBm)	1g SAR (W/kg)				
					Scaled Factor	Meas. SAR	Duty Cycle (%)	Scaled SAR	Plot
Head Left Cheek	2402	GFSK	/	/	/	/	/	/	/
	2441	GFSK	5.44	6.5	1.276	0.011	76.74	0.02	197
	2480	GFSK	/	/	/	/	/	/	/
Head Left Tilt	2402	GFSK	5.83	6.5	1.167	0.016	76.74	0.02	198
	2441	GFSK	5.44	6.5	1.276	0.014	76.74	0.02	199
	2480	GFSK	5.21	6.5	1.346	0.014	76.74	0.02	200
Head Right Cheek	2402	GFSK	/	/	/	/	/	/	/
	2441	GFSK	5.44	6.5	1.276	0.004	76.74	0.01	201
	2480	GFSK	/	/	/	/	/	/	/
Head Right Tilt	2402	GFSK	/	/	/	/	/	/	/
	2441	GFSK	5.44	6.5	1.276	0.011	76.74	0.02	202
	2480	GFSK	/	/	/	/	/	/	/
Body Front (10mm)	2402	GFSK	/	/	/	/	/	/	/
	2441	GFSK	5.44	6.5	1.276	0.000124	76.74	0.01	203
	2480	GFSK	/	/	/	/	/	/	/
Body Back (10mm)	2402	GFSK	5.83	6.5	1.167	0.011	76.74	0.02	204
	2441	GFSK	5.44	6.5	1.276	0.00414	76.74	0.01	205
	2480	GFSK	5.21	6.5	1.346	0.012	76.74	0.02	206
Body Right (10mm)	2402	GFSK	/	/	/	/	/	/	/
	2441	GFSK	5.44	6.5	1.276	0.000607	76.74	0.01	207
	2480	GFSK	/	/	/	/	/	/	/
Body Top (10mm)	2402	GFSK	/	/	/	/	/	/	/
	2441	GFSK	5.44	6.5	1.276	0.000234	76.74	0.01	208
	2480	GFSK	/	/	/	/	/	/	/

**Note:**

1. When the 1-g SAR is  $\leq 0.8\text{W/Kg}$ , testing for other channels are optional.
2. When SAR or MPE is not measured at the maximum power level allowed for production units, the results must be scaled to the maximum tune-up tolerance limit according to the power applied to the individual channels tested to determine compliance.
3. According 2016 Oct. TCB, for SAR testing of Bluetooth signal with non-100% duty cycle, the measured SAR is scaled-up by the duty cycle scaling factor which is equal to "1/(duty cycle)".

## SAR Measurement Variability

In accordance with published RF Exposure KDB procedure 865664 D01 SAR measurement 100 MHz to 6 GHz v01. These additional measurements are repeated after the completion of all measurements requiring the same head or body tissue-equivalent medium in a frequency band. The test device should be returned to ambient conditions (normal room temperature) with the battery fully charged before it is re-mounted on the device holder for the repeated measurement(s) to minimize any unexpected variations in the repeated results

- 1) Repeated measurement is not required when the original highest measured SAR is  $< 0.80$  W/kg; steps 2) through 4) do not apply.
- 2) When the original highest measured SAR is  $\geq 0.80$  W/kg, repeat that measurement once.
- 3) Perform a second repeated measurement only if the ratio of largest to smallest SAR for the original and first repeated measurements is  $> 1.20$  or when the original or repeated measurement is  $\geq 1.45$  W/kg (~ 10% from the 1-g SAR limit).
- 4) Perform a third repeated measurement only if the original, first or second repeated measurement is  $\geq 1.5$  W/kg and the ratio of largest to smallest SAR for the original, first and second repeated measurements is  $> 1.20$ .

### The Highest Measured SAR Configuration in Each Frequency Band

#### Head

SAR probe calibration point	Frequency Band	Freq.(MHz)	EUT Position	Meas. SAR (W/kg)		Largest to Smallest SAR Ratio
				Original	Repeated	
/	/	/	/	/	/	/

#### Body

SAR probe calibration point	Frequency Band	Freq.(MHz)	EUT Position	Meas. SAR (W/kg)		Largest to Smallest SAR Ratio
				Original	Repeated	
/	/	/	/	/	/	/

#### Note:

1. Second Repeated Measurement is not required since the ratio of the largest to smallest SAR for the original and first repeated measurement is not  $> 1.20$ .
2. The measured SAR results **do not** have to be scaled to the maximum tune-up tolerance to determine if repeated measurements are required.
3. SAR measurement variability must be assessed for each frequency band, which is determined by the **SAR probe calibration point and tissue-equivalent medium** used for the device measurements..

## SAR SIMULTANEOUS TRANSMISSION DESCRIPTION

### Simultaneous Transmission:

Description of Simultaneous Transmit Capabilities		
Transmitter Combination	Simultaneous?	Hotspot?
WWAN + Bluetooth	√	×
WWAN + WLAN	√	√
WLAN + Bluetooth	×	×

### Simultaneous and Hotspot SAR test exclusion considerations:

Mode(SAR1+SAR2)	Position	Reported SAR(W/kg)		$\Sigma$ SAR < 1.6W/kg
		SAR1	SAR2	
WWAN <sub>Max</sub> +WLAN <sub>Max</sub>	Head	0.38	0.39	<b>0.77</b>
	Body	0.26	0.28	<b>0.54</b>
WWAN <sub>Max</sub> +BT <sub>Max</sub>	Head	0.38	0.02	0.40
	Body	0.26	0.02	0.28

### Note:

- Hotspot mode SAR is measured for all edges and surfaces of the device with a transmitting antenna located within 25 mm from that surface or edge; for the data modes, wireless technologies and frequency bands supporting hotspot mode.
- Hotspot Mode is not feasible during voice calls.

### Conclusion:

Sum of SAR:  $\Sigma$ SAR  $\leq$  1.6 W/kg therefore simultaneous transmission SAR with Volume Scans is **not required**.

## **SAR Plots**

---

**Please Refer to the Attachment.**

### APPENDIX A MEASUREMENT UNCERTAINTY

The uncertainty budget has been determined for the measurement system and is given in the following Table.

**Measurement uncertainty evaluation for IEC/IEEE 62209-1528:2020 SAR test**

$$\Delta SAR = LIN + ISO + DAE + AMB + \frac{2}{\delta} \Delta_{xyz} + DAT + 2DIS + H + D_{xyz} + MOD + RF_{drift}$$

Symbol	Input quantity $X_i$ (source of uncertainty)	Prob Dist. <sup>a</sup> PDF <sub>i</sub>	Unc. $a(x_i)$	Div. <sup>a</sup> $q_i$	$u(x_i) = a(x_i)/q_i$	$c_i$	$u(y) = c_i \cdot u(x_i)$	$v_i$
<b>Measurement system errors</b>								
CF	Probe calibration	N (k=2)	6.55	2	3.3	1	3.3	$\infty$
CF <sub>drift</sub>	Probe calibration drift	R	1.0	$\sqrt{3}$	0.6	1	0.6	$\infty$
LIN	Probe linearity and detection limit	R	4.7	$\sqrt{3}$	3.3	1	3.3	$\infty$
BBS	Boundary signal	R	1.0	$\sqrt{3}$	0.6	1	0.6	$\infty$
ISO	Probe isotropy	R	9.6	$\sqrt{3}$	5.5	1	5.5	$\infty$
DAE	Other probe and data acquisition errors	N	1.0	1	1.0	1	1.0	$\infty$
AMB	RF ambient and noise	N	1.0	1	1.0	1	1.0	$\infty$
$\Delta_{xyz}$	Probe positioning errors	N	0.8	1	0.8	2/δ	0.9	$\infty$
DAT	Data processing errors	N	2.0	1	2.0	1	2.0	$\infty$
<b>Phantom and device(DUT or validation antenna)errors</b>								
$LIQ(\sigma)$	Measurement of phantom conductivity( $\sigma$ )	N	2.5	1	2.5	1	2.5	$\infty$
$LIQ(Tc)$	Temperature effects(medium)	R	0.1	$\sqrt{3}$	0.05	1	0.05	$\infty$
EPS	Shell permittivity	R	4.0	$\sqrt{3}$	2.3	<small>f = 10.0MHz ε = 1.25 3.0MHz - f &lt; 4.0MHz 1.5 8.0MHz - f &lt; 10.0MHz</small>	0	$\infty$
DIS	Distance between the radiating element of the DUT and the phantom medium	N	5.0	1	5.0	2	10.0	$\infty$
$D_{xyz}$	Repeatability of positioning the DUT or source against the phantom	N	2.8	1	2.8	1	2.8	5
H	Device holder effects	N	6.3	1	6.3	1	6.3	$\infty$
MOD	Effect of operating mode on	R	9.0	$\sqrt{3}$	5.2	1	5.2	$\infty$
TAS	Time-average SAR	R	2.0	$\sqrt{3}$	1.1	1	1.1	$\infty$
RF <sub>drift</sub>	Variation in SAR due to drift in output of DUT	N	1.0	1	1.0	1	1.0	$\infty$
VAL	Validation antenna uncertainty(validation measurement only)	N	5.0	1	5.0	1	5.0	$\infty$
$P_{in}$	Uncertainty in accepted power(validation measurement only)	N	5.0	1	5.0	1	5.0	$\infty$
<b>Corrections to the SAR result(if applied)</b>								
$C(\epsilon', \sigma)$	Phantom deviation from target( $\epsilon', \sigma$ )	N	1.9	1	1.9	1	1.9	$\infty$
$C(R)$	SAR scaling	R	4.0	$\sqrt{3}$	2.3	1	2.3	$\infty$
$u(\Delta SAR)$	Combined uncertainty	RSS	7.4	1	7.4	1	7.4	$\infty$
U	Expanded uncertainty and effective degrees of freedom	K=2	7.4	1	7.4	U=K	14.8	$v_{eff}$

---

## **APPENDIX B EUT TEST POSITION PHOTOS**

---

**Please Refer to the Attachment.**



---

## **APPENDIX C PROBE CALIBRATION CERTIFICATES**

---

**Please Refer to the Attachment.**

---

## **APPENDIX D DIPOLE CALIBRATION CERTIFICATES**

---

**Please Refer to the Attachment.**

**\*\*\*\*\* END OF REPORT \*\*\*\*\***