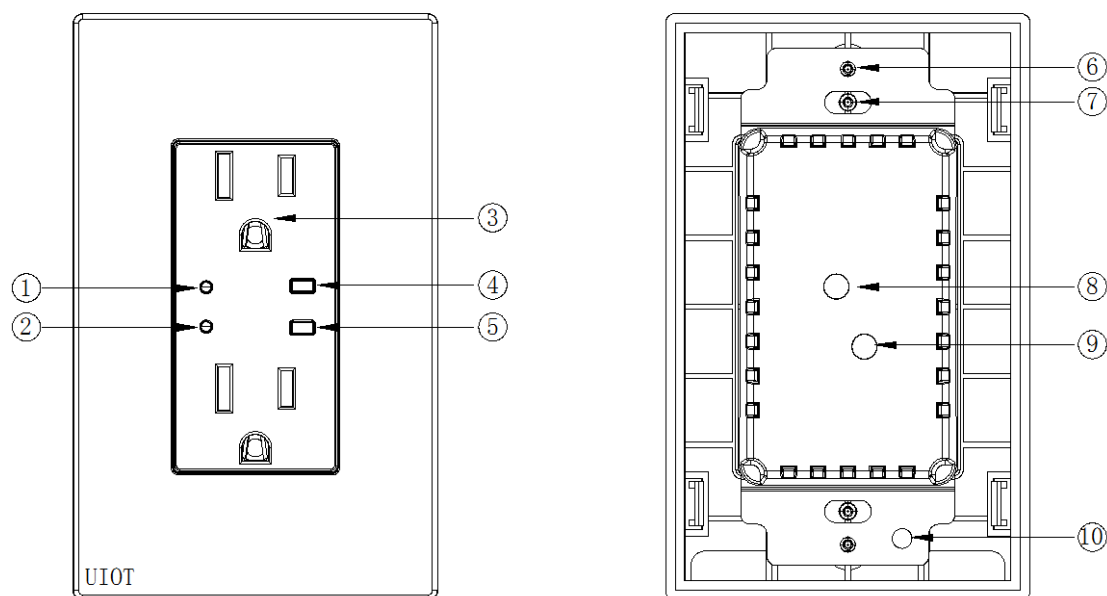


Smart metering socket

Product introduce



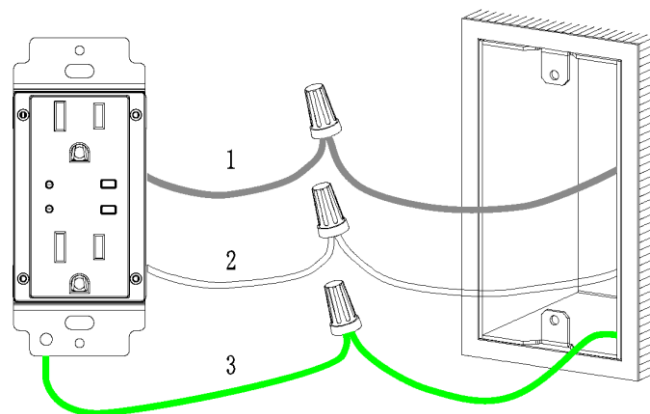
- 1: Indicator light of the top socket
- 2: Indicator light of the bottom socket
- 3: Socket
- 4: Control buttons of the top socket
- 5: Control buttons of the bottom socket
- 6: Decorative panel mounting hole
- 7: Product mounting hole
- 8-10: Lead area

Features

1. Manual power on and off function: press the button to switch power on and off;
2. Children's lock function: after the children's lock is opened, the manual power on and off function fails (set by mobile APP);
3. Remote access and power off function (operated by mobile APP);
4. Power failure recovery function: after power failure and power on, restore the state before power failure (set by mobile APP);
5. Metering function: collect 2 output voltage, current and active power respectively.

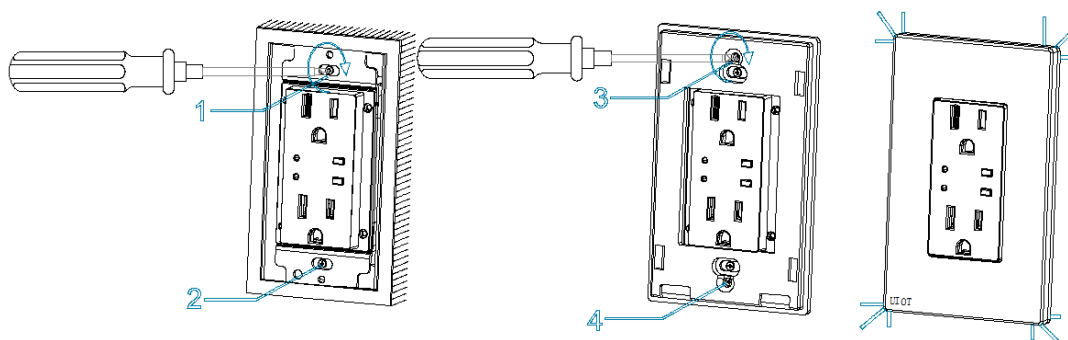
Mounting

- First, connect the power cord and then secure it with terminals or tape



1: N (White) 2: L (Black) 3: Ground (Green)

- Next, install the device in the order shown below



Direction for use

1、Download the UIOT Smart Home app.

Download and install apps from the mobile marketplace and the apple store

2、Add Device

Premise: acquire UIOT intelligent server, power on and network; Power on the device to be added.

Step 1: open and log into the UIOT "smart home" APP.

Step 2: enter "my" - "equipment management" - "+", find and click "Smart Socket ", according to the APP prompt, insert the card pin into the mesh hole for 3 seconds and release.

Step 3: after setting the device name and room, complete the addition.

3、AppControl

Through the "UIOT smart home" APP, you can:

- 1) Check the current device switch status.
- 2) Control socket on and off.
- 3) Add device actions to the scene to achieve one-key control of the device.
- 4) Add device action to linkage and timing to realize automatic control of equipment.
- 5) Authorize different device actions for different user roles.
- 6) Follow any user, and the APP will receive notification after the user operates the device.
- 7) Get help, mine - help, get more guidance to use.

Technical Specifications

1. Appearance size: 74mm*119mm*53.8mm;
2. Operating voltage: AC120-125V 50/60Hz;
3. Operating temperature: -10°C~40°C;
4. Working humidity: <95% RH(no condensation);
5. Communication mode: ZigBee
6. Total load: resistive load \leq 1800W.

Note: make sure the product load meets the above requirements to avoid accidents!

CAUTION

This device complies with Part 15 of the FCC Rules. Operation is subject to the following two conditions: (1) This device may not cause harmful interference, and (2) This device must accept any interference received, including interference that may cause undesired operation.

NOTE1: This equipment has been tested and found to comply with the limits for a Class B digital device, pursuant to Part 15 of the FCC Rules. These limits are designed to provide reasonable protection against harmful interference in a residential installation. This equipment generates uses and can radiate radio frequency energy and, if not installed and used in accordance with the instructions, may cause harmful interference to radio communications. However, there is no guarantee that interference will not occur in a particular installation. If this equipment does cause harmful interference to radio or television reception, which can be determined by turning the equipment off and on,

the user is encouraged to try to correct the interference by one of the following measures:

- Reorient or relocate the receiving antenna.
- Increase the separation between the equipment and receiver.
- Connect the equipment into an outlet on a circuit different from that to which the receiver is connected.
- Consult the dealer or an experienced radio/TV technician for help.

Warning

1. There are fragile parts in the product, please avoid the destructive action such as falling, heavy weight and so on.
2. Products for precision electronic devices, in use pay attention to waterproof, avoid high temperature.
3. Do not drop foreign bodies into the machine.
4. Do not disassemble or modify the machine in any way.
5. The main power supply must be cut off during installation to avoid accidents.
6. Wiring shall be strictly in accordance with the wiring diagram of the product.
7. Do not press the equipment hard during the wiring process to avoid damage to the equipment.
8. When fixing the bottom shell, do not press hard to avoid damage to the shell.
9. Do not install the equipment in a damp environment.

Note: the contents of this manual and the specifications of this product are subject to change without prior notice.

Warranty instructions

Warranty service commitment

According to the state three guarantees, with valid bills and warranty certificates,

1. Enjoy the following three guarantees:

1. If performance failure occurs within 7 days from the date of sale, the user can choose to return the product, replace the product or repair it for free

2. If the product fails within 15 days after the date of sale, the user can choose to replace the product or repair it for free (after the replacement, the three warranty period of the product will be recalculated).

3. If the product fails within 1 year from the date of sale, the user can choose free maintenance service

4. After the warranty period, if the product fails, the user can choose to pay for the maintenance service

Non-warranty regulations

Within the validity period of the three guarantees, it shall not be liable for any of the following situations (not limited to the following situations).

However, reasonable maintenance fees should be provided.

1. No valid bills and three guarantees
2. Alter the voucher of three guarantees without authorization
3. The product name, model number and code on the invoice or the certificate of the three guarantees are inconsistent with the actual product
4. Failure to properly use, maintain and keep the product according to the instructions, resulting in damage or failure
5. Damage or failure caused by improper maintenance or disassembly by the user (not the third party)
6. Damage or failure caused by non-product quality problems
7. Machine failure beyond the warranty period
8. Damage or malfunction caused by force majeure

RF exposure statement

This equipment complies with the FCC RF radiation exposure limits set forth for an uncontrolled environment. This equipment should be installed and operated with a minimum distance of 20cm between the radiator and any part of your body.

This equipment meets the exemption from the routine evaluation limits in section 2.5 of RSS-102. It should be installed and operated with a minimum distance of 20cm between the radiator and any part of your body.

Cet équipement est conforme à l'exemption des limites d'évaluation habituelle de la section 2.5 de la norme RSS-102. Il doit être installé et utilisé à une distance minimale de 20 cm entre le radiateur et toute partie de votre corps.

NOTE 2: Any changes or modifications to this unit not expressly approved by the party responsible for compliance could void the user's authority to operate the equipment.

IC WARNING

This device contains licence-exempt transmitter(s) that comply with Innovation, Science and Economic Development Canada's licence-exempt RSS(s). Operation is subject to the following two conditions:

- (1) This device may not cause interference.
- (2) This device must accept any interference, including interference that may cause undesired operation of the device.

L'émetteur/récepteur exempt de licence contenu dans le présent appareil est conforme aux CNR d'Innovation, Sciences et Développement économique Canada applicables aux appareils radio exempts de licence. L'exploitation est autorisée aux deux conditions suivantes:

1. L'appareil ne doit pas produire de brouillage;
2. L'appareil doit accepter tout brouillage radioélectrique subi, même si le brouillage est susceptible d'en compromettre le fonctionnement.