

UIOT/QR4120

# Intelligent thermostat operating manual

**Shanghai Unisplendor Lelian  
Internet of Things Technology  
Co.,Ltd**

## **R&D department**

<b>Fileid :</b>	
<b>Department :</b>	R&D department
<b>Storage life :</b>	

# Document revision history

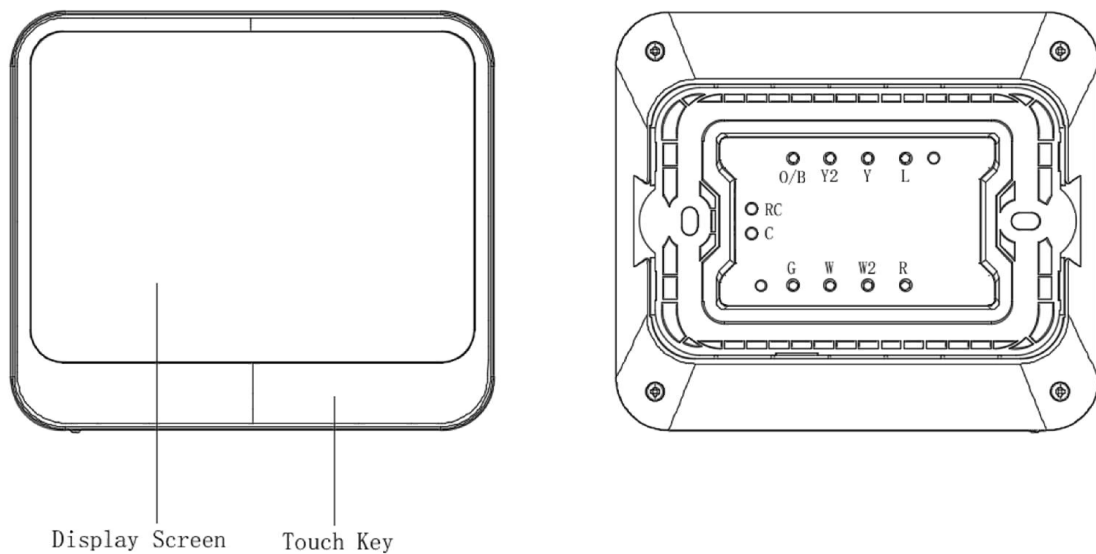
DATA	Version	Description	Author	Approver
2019-10-09	V1.0.0	Initial release	Lu'an Tian	

# Intelligent thermostat

## 1 Product Features

### 1.1. Functional description

- 1、 Control external equipment based on control4 system wiring mode;
- 2、 By connecting with the external equipment, it can control the cooling, heating, fresh air and alarm indicator light of the external equipment;
- 3、 Remote power off function (Operate through mobile APP)

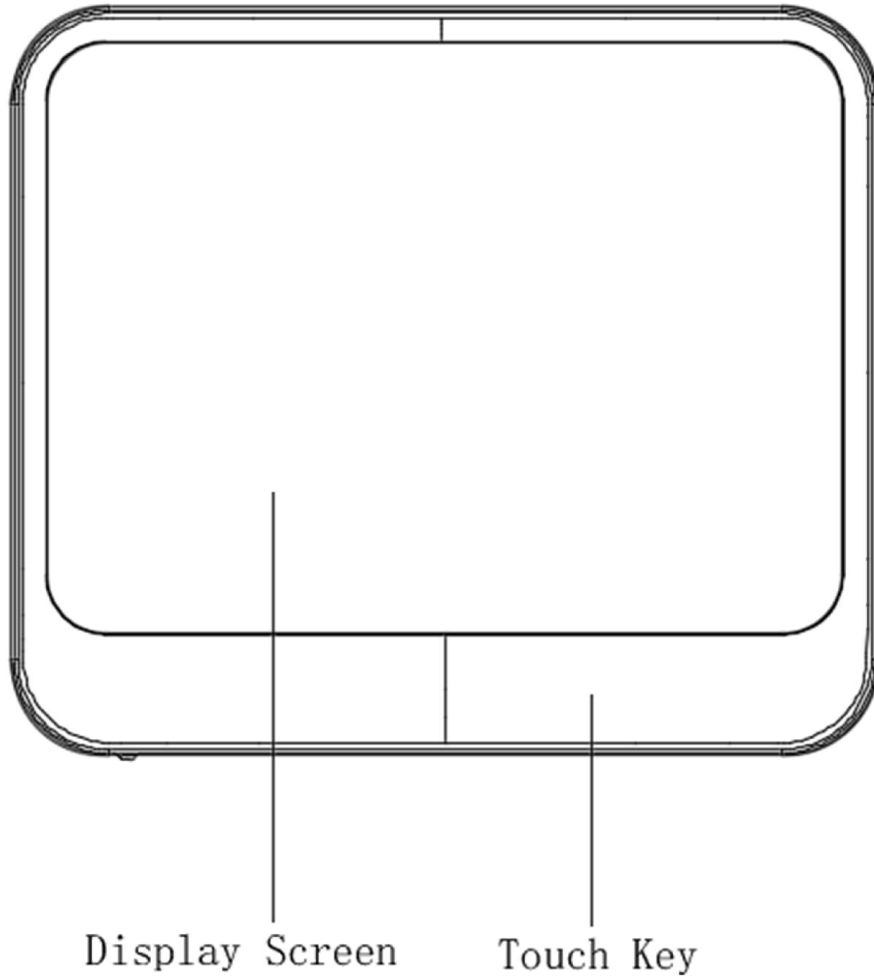


# Intelligent thermostat

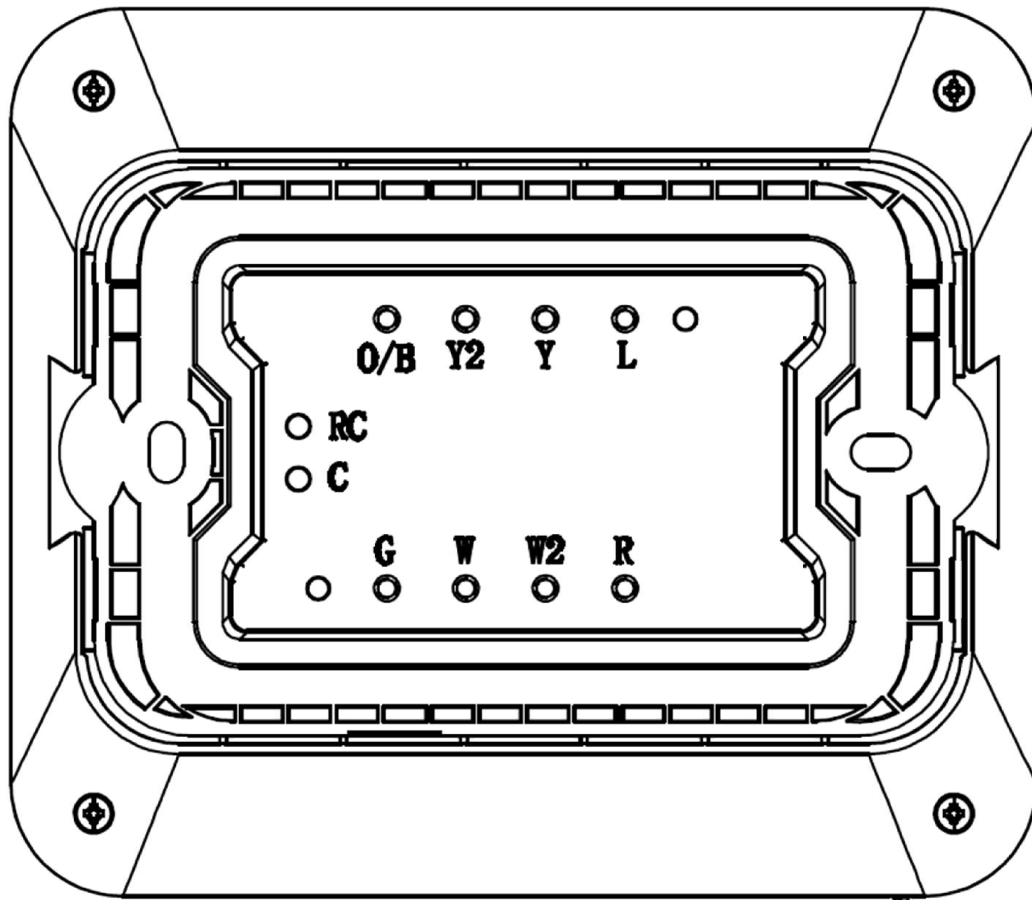
**Notice:** The power supply of this product is 24VAC. Please confirm whether the power supply voltage is normal when connecting with the external equipment;

## 2 Product structure

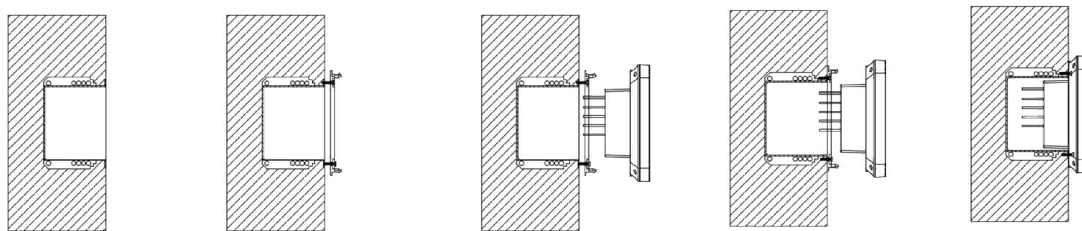
### 2.1. Product panel drawing



## 2.2. 产品接线孔位图 Product wiring hole bitmap



## 2.3. Product structure drawing



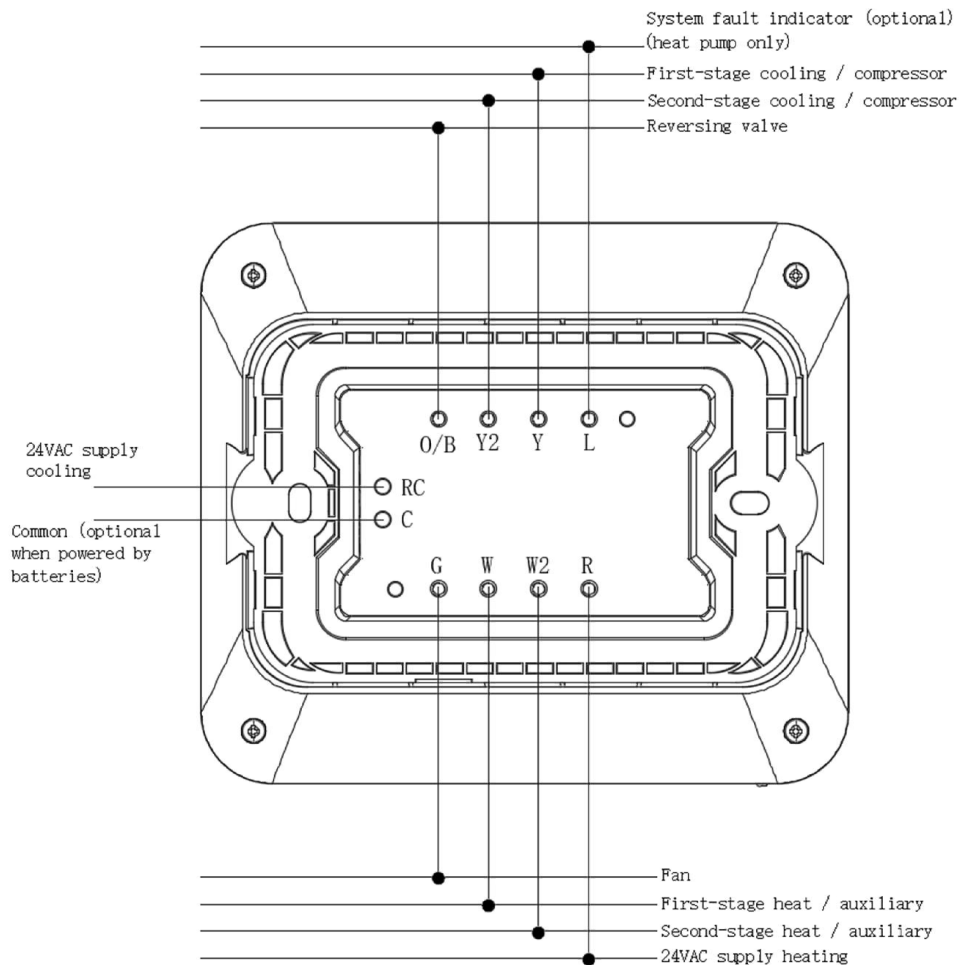
### 3 Installation procedure

#### 3.1. Installation requirements

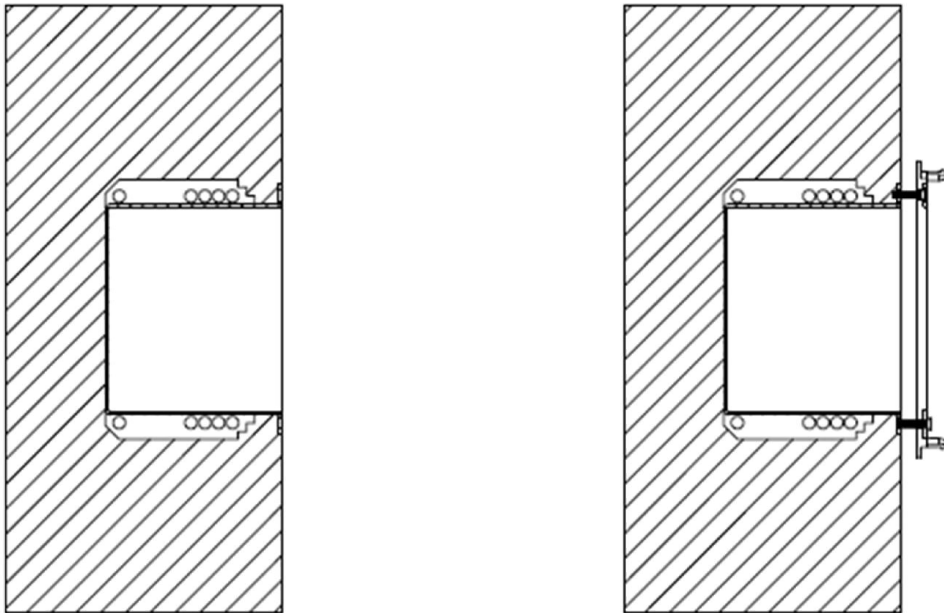
- 1、 The cover of the product is American UL standard junction box
- 2、 Install the cassette with American UL standard junction box and position adjustment function
- 3、 Do not install outdoors

#### 3.2. Product installation steps

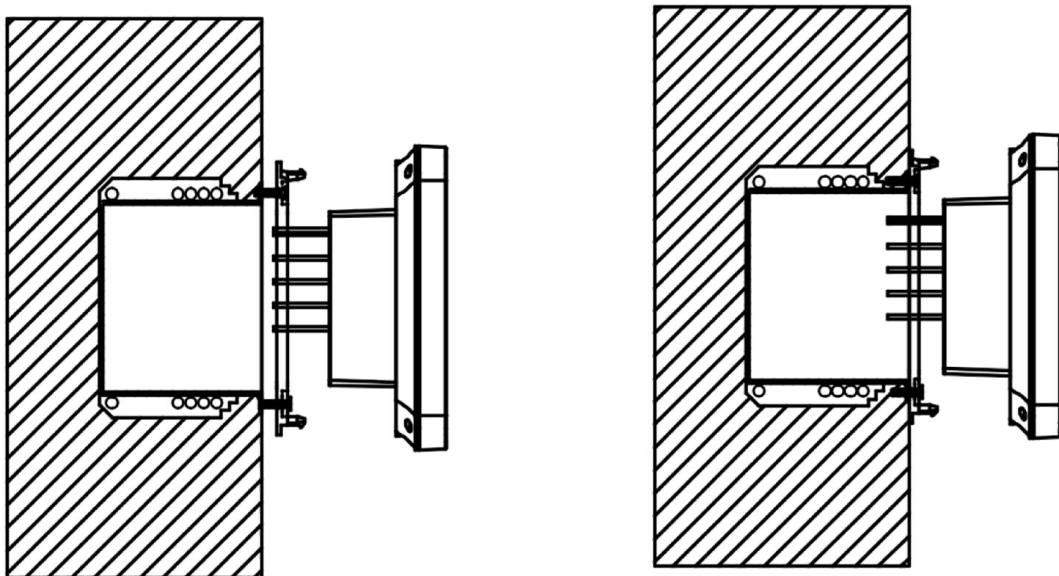
- 1、 Cut off the mains power
- 2、 24VAC power supply is connected in RC(R can be short-connected with RC, or separately provide heat supply control for the equipment), and C is connected as the common terminal of 24VAC negative electrode. Other functions lead wire connection according to customer requirements external device control end; Unused control lines can be opened for processing



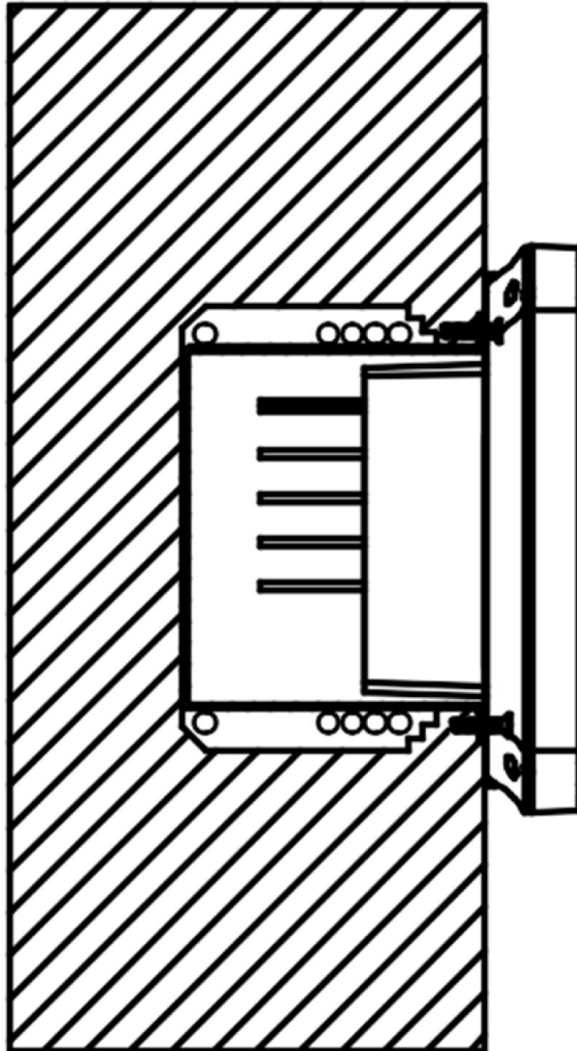
4. Fix the bottom case on the interior wall cassette with screws, pay attention to the mounting direction



5. Align the top of the panel with the bottom shell and place in the bayonet



6. Press the lower end of the panel to the bottom case to complete the product installation





## **Federal Communications Commission (FCC) Interference Statement**

This equipment has been tested and found to comply with the limits for a Class B digital device, pursuant to Part 15 of the FCC Rules.

These limits are designed to provide reasonable protection against harmful interference in a residential installation. This equipment generate, uses and can radiate radio frequency energy and, if not installed and used in accordance with the instructions, may cause harmful interference to radio communications.

However, there is no guarantee that interference will not occur in a particular installation. If this equipment does cause harmful interference to radio or television reception, which can be determined by turning the equipment off and on, the user is encouraged to try to correct the interference by one of the following measures:

- Reorient or relocate the receiving antenna.
- Increase the separation between the equipment and receiver.
- Connect the equipment into an outlet on a circuit different from that to which the receiver is connected.
- Consult the dealer or an experienced radio/TV technician for help.

This device complies with Part 15 of the FCC Rules. Operation is subject to the following two conditions:

(1) This device may not cause harmful interference, and (2) this device must accept any interference received, including interference that may cause undesired operation.  
FCC Caution: Any changes or modifications not expressly approved by the party responsible for compliance could void the user's authority to operate this equipment.

### **RF exposure warning**

This equipment complies with FCC radiation exposure limits set forth for an uncontrolled environment.

This equipment must be installed and operated in accordance with provided instructions and the antenna(s) used for this transmitter must be installed to provide a separation distance of at least 20 cm from all persons and must not be collocated or operating in conjunction with any other antenna or transmitter.

## **ISED**

CAN ICES-3 (B)/NMB-3(B)

Canadian Compliance Statement This device complies with Industry Canada license-exempt RSSs. Operation is subject to the following two conditions:

1. This device may not cause interference, and
2. This device must accept any interference, including interference that may cause undesired operation of the device.

Le présent appareil est conforme aux CNR d'Industrie Canada applicables aux appareils radio exempts de licence. L'exploitation est autorisée aux deux conditions suivantes:

1. l'appareil ne doit pas produire de brouillage;
2. l'utilisateur de l'appareil doit accepter tout brouillage radioélectrique subi, même si le brouillage est susceptible d'en compromettre le fonctionnement.

### **IMPORTANT NOTE:**

Radiation Exposure Statement:

This equipment complies with IC radiation exposure limits set forth for an uncontrolled environment. This equipment should be installed and operated with minimum distance 20cm between the radiator and your body.

Déclaration d'exposition aux radiations:

Cet équipement est conforme aux limites d'exposition aux rayonnements IC établies pour un environnement non contrôlé. Cet équipement doit être installé et utilisé avec un minimum de 20cm de distance entre la source de rayonnement et votre corps.