

UIOT/QR4120

《Dual metering socket》 Instruction manual

Shanghai Ziguang Lelian Internet of
Things Technology Co., Ltd.

File identification :	
Application department :	
Shelf life:	

Document revision history

date	version	Description	Author	Approver
2019-10-09	V1.0	Initial release	Li Zongyang	

Dual metering socket

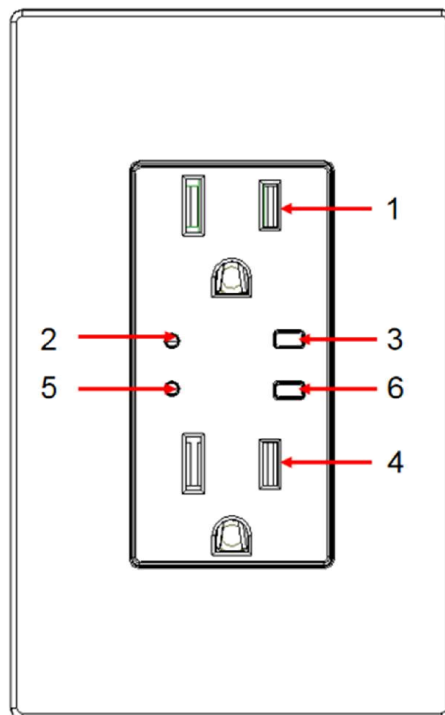
1 Function

1.1 Description

- 1、 Manual power-off function: press the button to switch on and off;
- 2、 Child lock function: After the child lock is turned on, the manual power-off function is disabled (set by the mobile APP);
- 3、 Remote power-off function (operated by mobile APP);
- 4、 Power-off recovery function: After power-off and power-on, restore the state before power-off (set by mobile APP);
- 5、 Metering function: separately collect 2 output voltages, currents, active power.

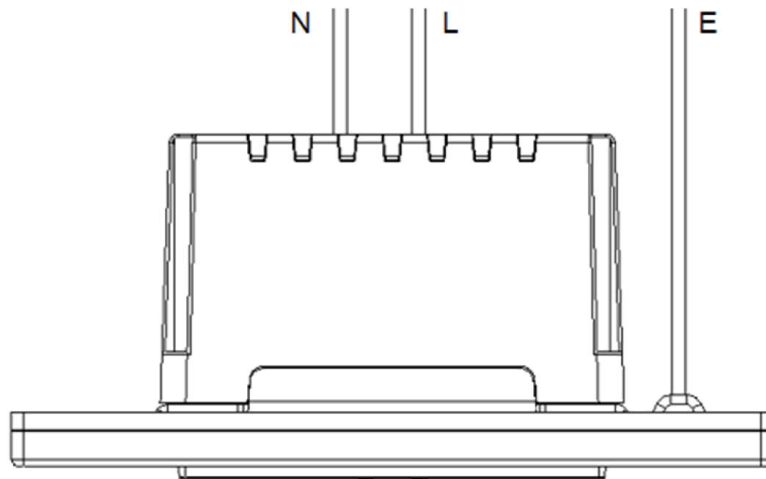
2 Structure

2.1 Panel

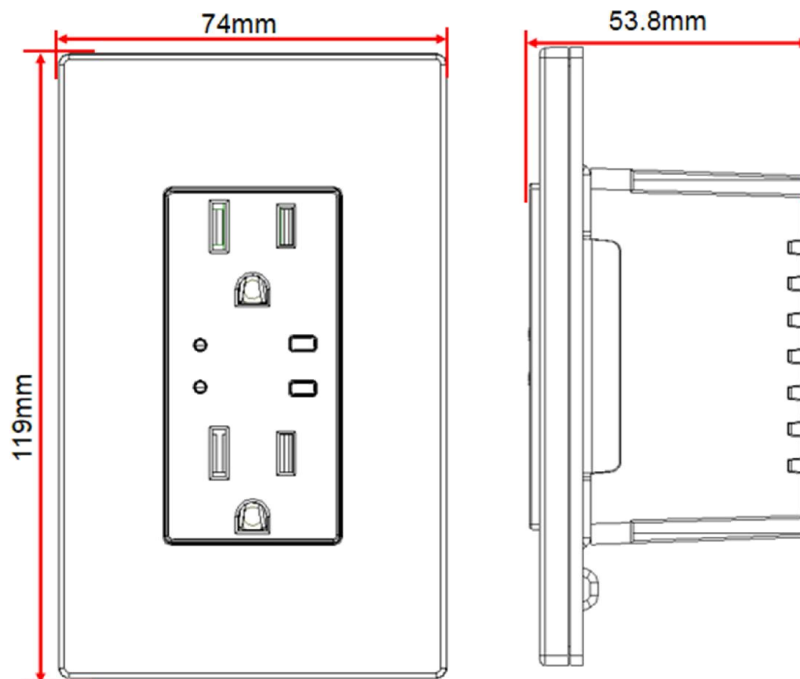


- 1、 1st single-phase two-pole ground socket hole
- 2、 1st indicator light
- 3、 1st button
- 4、 2nd single-phase two-pole ground socket hole
- 5、 2nd indicator light
- 6、 2nd button

2.2 Wiring hole bitmap



2.3 Structure size chart



3 Installation steps

3.1 Installation requirements

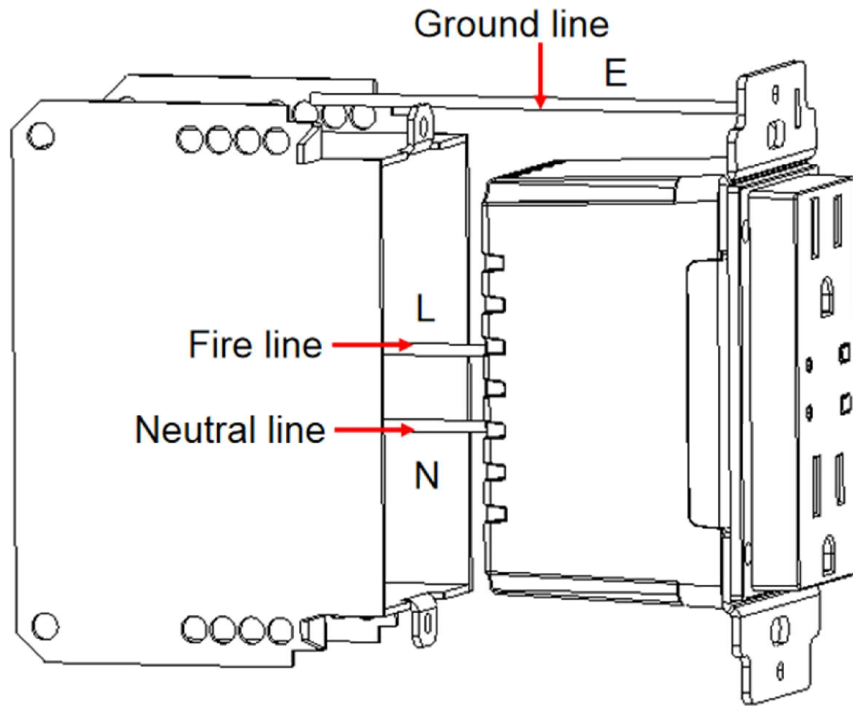
1、Installing the cassette requires the US standard dedicated cassette

2、Can't be installed outdoors

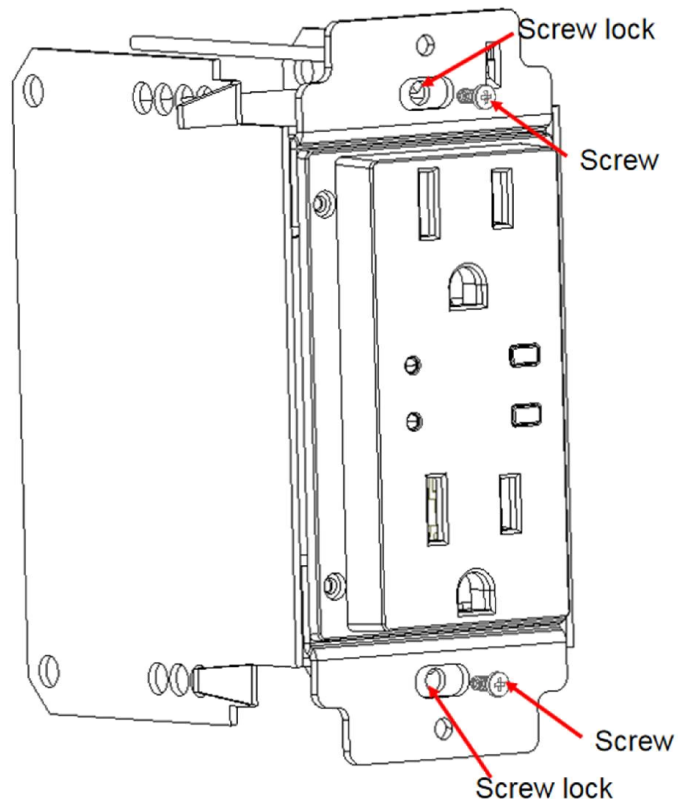
3.2 Installation steps

1、Cut off the mains power;

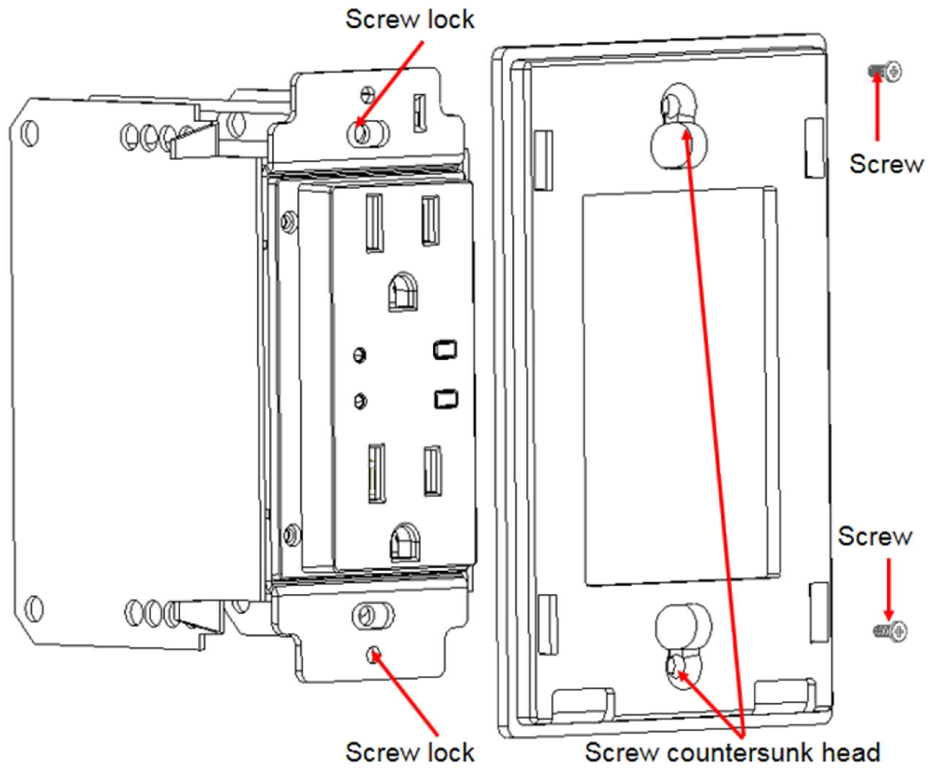
2、The fire line L, the neutral line N and the ground line E respectively correspond to the corresponding fire line, neutral line and ground line of the inner wall of the wall, and attention should be paid to insulation, and no exposed copper wire is outside.;



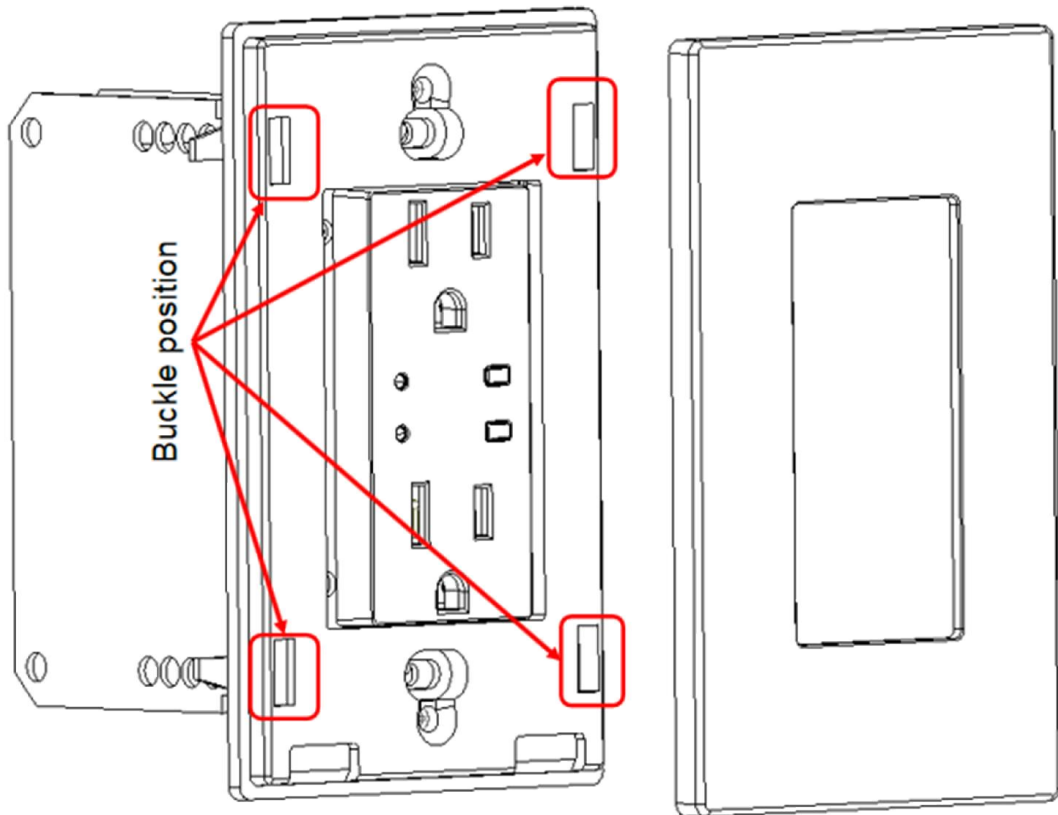
3、 Fix the socket to the cassette on the indoor wall with screws, pay attention to the installation direction;



4、 Attach the decorative bone cover to the socket with a screw lock;



5、 The product can be installed by assembling the decorative cover to the decorative cover frame through 4 hooks.



Federal Communications Commission (FCC) Interference Statement

This equipment has been tested and found to comply with the limits for a Class B digital device, pursuant to Part 15 of the FCC Rules.

These limits are designed to provide reasonable protection against harmful interference in a residential installation. This equipment generate, uses and can radiate radio frequency energy and, if not installed and used in accordance with the instructions, may cause harmful interference to radio communications.

However, there is no guarantee that interference will not occur in a particular installation. If this equipment does cause harmful interference to radio or television reception, which can be determined by turning the equipment off and on, the user is encouraged to try to correct the interference by one of the following measures:

- Reorient or relocate the receiving antenna.
- Increase the separation between the equipment and receiver.
- Connect the equipment into an outlet on a circuit different from that to which the receiver is connected.
- Consult the dealer or an experienced radio/TV technician for help.

This device complies with Part 15 of the FCC Rules. Operation is subject to the following two conditions:

(1) This device may not cause harmful interference, and (2) this device must accept any interference received, including interference that may cause undesired operation.
FCC Caution: Any changes or modifications not expressly approved by the party responsible for compliance could void the user's authority to operate this equipment.

RF exposure warning

This equipment complies with FCC radiation exposure limits set forth for an uncontrolled environment.

This equipment must be installed and operated in accordance with provided instructions and the antenna(s) used for this transmitter must be installed to provide a separation distance of at least 20 cm from all persons and must not be collocated or operating in conjunction with any other antenna or transmitter.

ISED

CAN ICES-3 (B)/NMB-3(B)

Canadian Compliance Statement This device complies with Industry Canada license-exempt RSSs. Operation is subject to the following two conditions:

1. This device may not cause interference, and
2. This device must accept any interference, including interference that may cause undesired operation of the device.

Le présent appareil est conforme aux CNR d'Industrie Canada applicables aux appareils radio exempts de licence. L'exploitation est autorisée aux deux conditions suivantes:

1. l'appareil ne doit pas produire de brouillage;
2. l'utilisateur de l'appareil doit accepter tout brouillage radioélectrique subi, même si le brouillage est susceptible d'en compromettre le fonctionnement.

IMPORTANT NOTE:

Radiation Exposure Statement:

This equipment complies with IC radiation exposure limits set forth for an uncontrolled environment. This equipment should be installed and operated with minimum distance 20cm between the radiator and your body.

Déclaration d'exposition aux radiations:

Cet équipement est conforme aux limites d'exposition aux rayonnements IC établies pour un environnement non contrôlé. Cet équipement doit être installé et utilisé avec un minimum de 20cm de distance entre la source de rayonnement et votre corps.