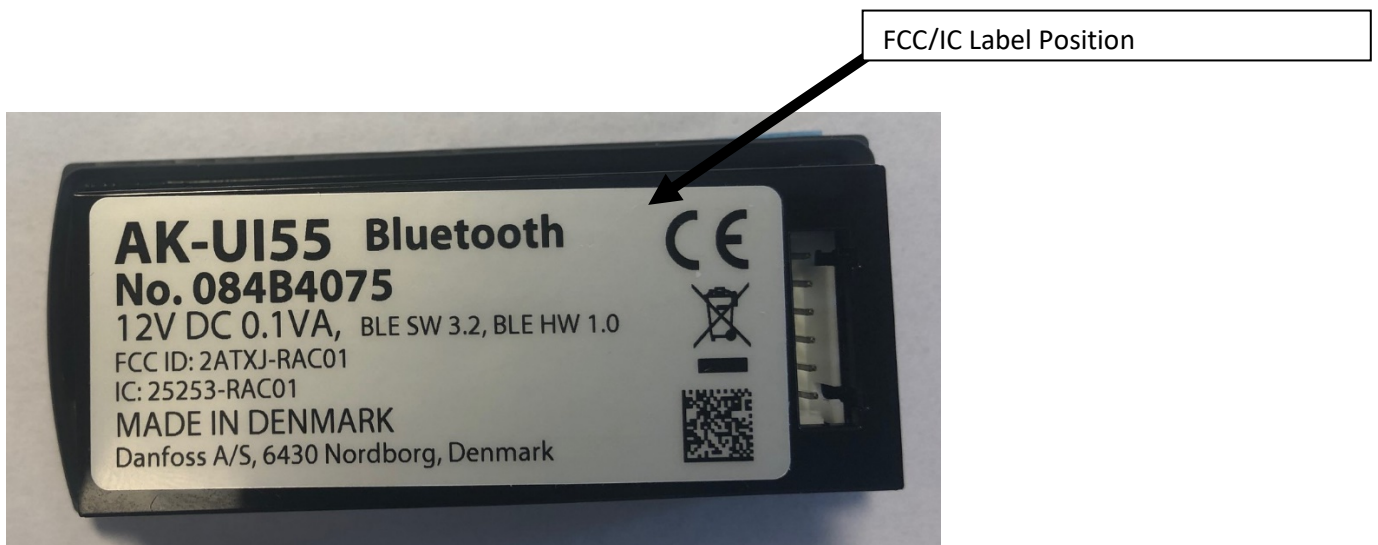


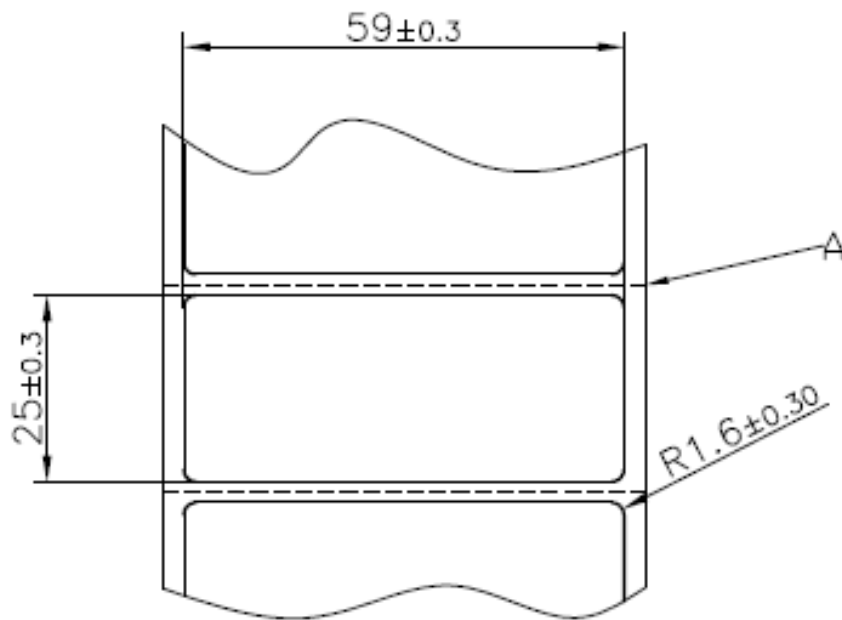
Item 6 & 7 Label drawing and Placement



Label design



FCC/IC label Placement



A: Perforation

Winding – Outside spooling on a cardboard roll

Roll diameter – max. 160mm

Core diameter – 76 mm

Material – Thermal Transfer Polyester, 3M 7872

Material – Fasson 72826T and Ribbon: Ricoh B110C

Further information see material specification

			Projection 	Scale 1:1	Matr./Spec. Danfoss standard
	500000120537			Label 59x25 mm	No. 084A6212 ver.AA
Mrk.	KM (Approb./Rev.)	Date			
Replace					
Design	Kirsten Jessen	0123-2019			
Approb.					
Confidential: Property of Danfoss A/S, Nordborg, Denmark. Not to be handed over to, copied or used by third party. Two- or three dimensional reproduction of contents to be authorized by Danfoss A/S.					