

2J1015B-915

915 MHz ISM Screw Mount

Key Features

915 MHz ISM
- 902-928 MHz
Screw Mount
Ground Plane Dependent
Low Profile
Dimensions 50 x Ø16 mm



1. Antenna and electrical specifications

Parameters	915 MHz ISM Antenna
Standards	ZigBee, ISM, SIGFOX, LoRa
Band (MHz)	915 MHz
Frequency (MHz)	902-928
Return Loss (dB)	~-14.8
VSWR	~1.4:1
Efficiency (%)	~37.0
Peak Gain (dBi)	~-0.3
Average Gain (dB)	~-4.7
Impedance (Ohm)	50
Polarisation	Linear
Radiation Pattern	Omni-Directional
Max. Input Power (W)	25
Connector Type	Most RF Connectors (SMA-Male Standard)
Cable Length	Any Cable Length (300cm Standard)
Cable Type	Other Cables Available (RG174 Standard)

Antenna Measurement Conditions:

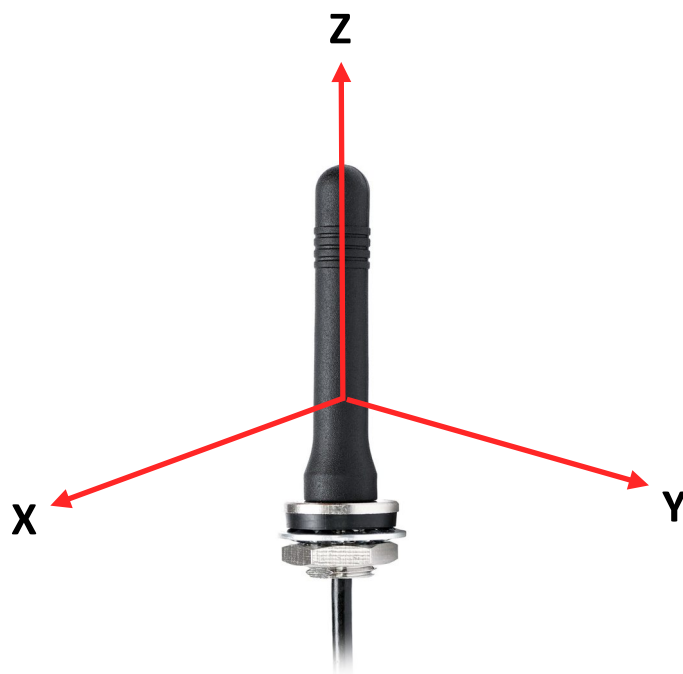
Mounted on Ground Plane of 30 x30 cm

100 cm of RG174 Cable

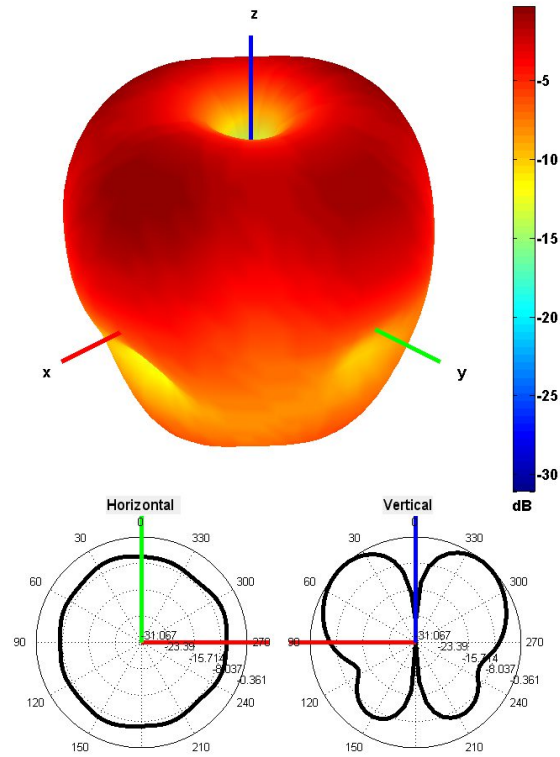
Measured in Certified CTIA 3D Anechoic Chamber

2. Mechanical and environmental specifications

Specifications	2J1015B-915
Mounting Type	Screw Mount
Dimensions (mm)	50 x Ø16
Max. Tighten Torque (Nm)	4 Nm
Radome	ABS UV Stable
Radome color	Black
Operating Temperature (C)	-40 to +85
Storage Temperature (C)	-40 to +85
Substance Compliance	RoHS

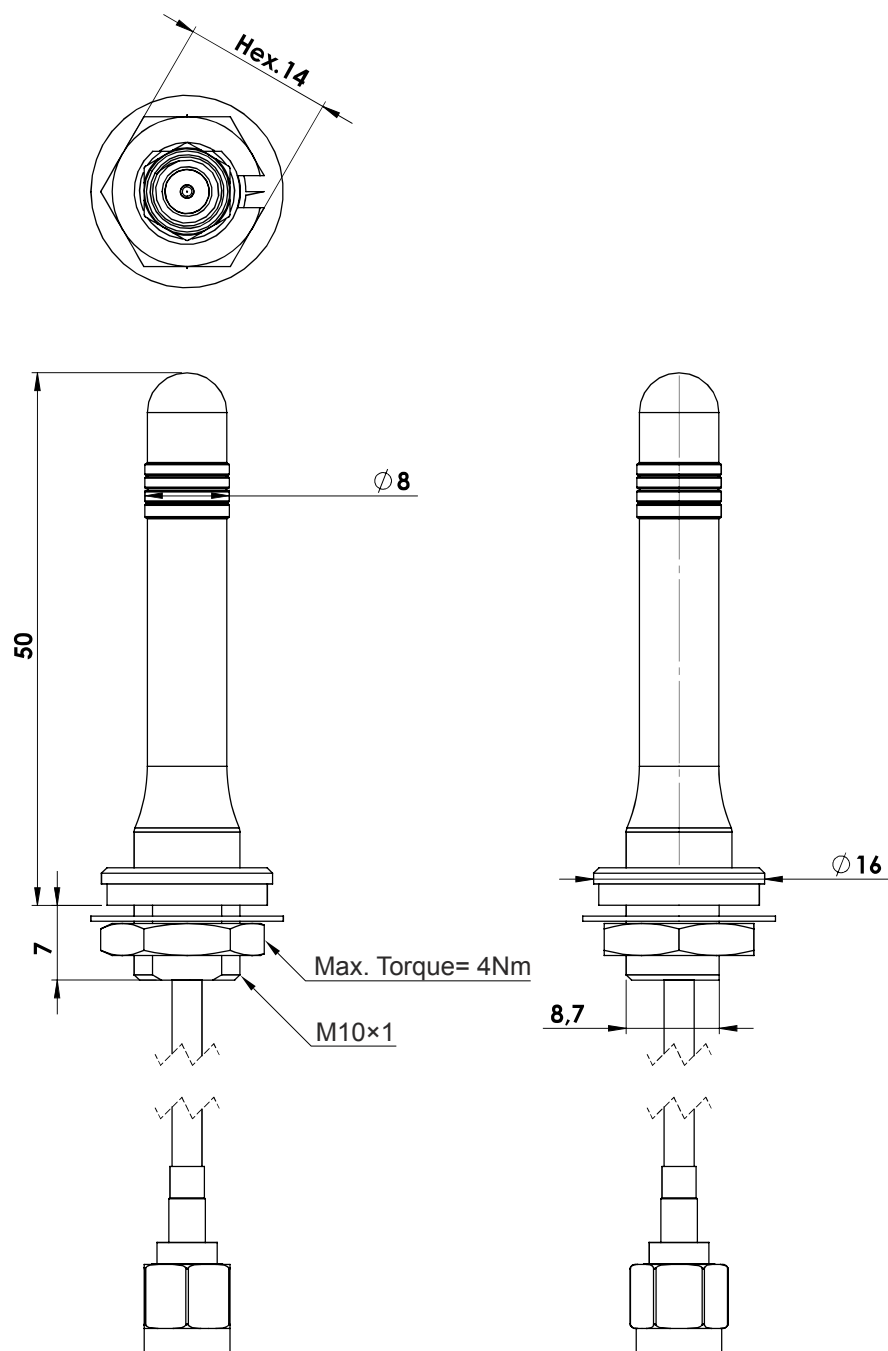


Radiation pattern reference



915 MHz Radiation pattern

3. Antenna drawings



4. Antenna Images

