



Honour Electronic

Model

H10701

页码  
Page

1/3

## Product Datasheet

Customer: 吉成 (无线) 有限公司

Model: H10701

Cust. P/N:

Spec.: 19.5\*27.5\*0.08\*105\*9TS-3coils

Sample Qty 10PCS

Date 2023-4-19

### Inner signatures

### Customer Signatures

Prepared By:	JingJing LI	Precheck By:	
Checked By:	Qingbo Lan	Checked By:	
Approved By:	Vincent Wang	Approved By:	

Dong Guan Honour Electronic Co.,Ltd.


Product type

Wireless Charging coil

Http: //www.forewell-tech.com

Ver.

A

	<b>Product Specification</b>		Model	H10701
			Ver.	A/0
			Page	2/3
Customer Code	H107	Product Name	wireless charging 3 coils	
Specification	19.5*27.5*0.08*105*9TS-3coils	Winding Direction	CCW+CW	
Document issue record				
Ver.	Modify Desc.		Issue Date	
A/0	First issue		2023-4-19	
Dong Guan Honour Electronic Co.,Ltd.		Prodct Type		Wireless Charging coil
Http: //www.forewell-tech.com		Ver.		A

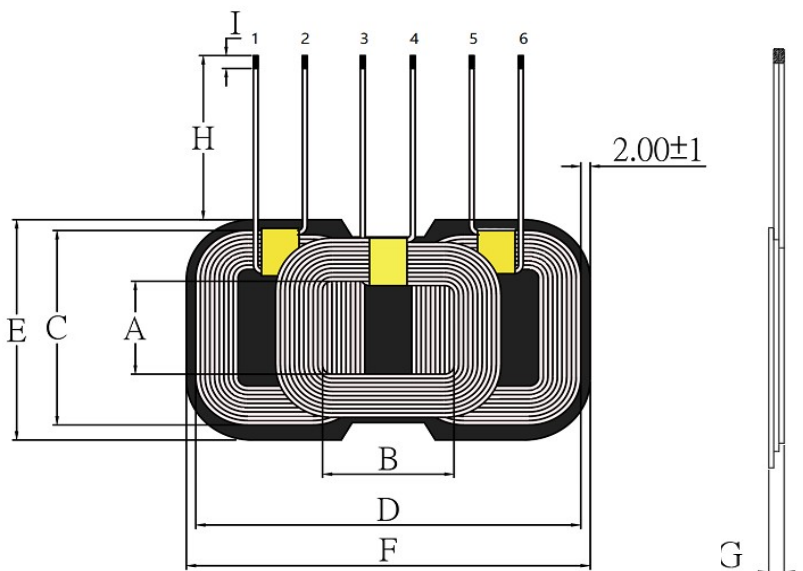
Document Code: HN-PE-007

# Product Specification

Model	H10701
Ver.	A/0
Page	3/3

Customer Code	H107	Product Name	wireless charging 3 coils
Specification	19.5*27.5*0.08*105*9TS-3coils	Winding Direction	CCW+CW

## I. Product Size (Unit: MM)



Items	Size	Tol.
A	19.50	±0.5
B	27.50	±1.0
C	49.00	±1.0
D	89.00	±1.0
E	51.50	±1.0
F	92.00	±1.0
G	4.00	max
H	18.00	±2.0
I	4.00	±1.5

## II. Schematic diagram



### Remark:

- 1, Use 8MM wide brown high-temperature adhesive to fix the coil
- 2, The length of the lead wire starts from the magnetic disc
- 3, Paste ordinary Double-sided tape on the back
- 4, Use black film on the coil surface

## III. Winding Specification:

Item	Wire		Wire OD	Turns	Layer
1	1	2	0.08*105P silk litz wire	9	1
2	3	4	0.08*105P silk litz wire	9	1
3	5	5	0.08*105P silk litz wire	9	1

## IV. Schematic

Properties	Test conditions	Value	TOL	Tester
LS (L/R)	100KHZ/1V	6.8 uH	10%	TH2830
LS (M)	100KHZ/1V	6.4 uH	10%	TH2830
DCR (L/M/R)	@25° C	60mΩ	Max	TH2516B
Q值 (L/M/R)	100KHZ/1V	70.0	Min	TH2830

## V. Material list

NO.	Material List	Spec.
1	Silk litz wire	0.08*105P
2	Ferrite	51.5*46*0.80
3	black film	91*50 ±1
4	Double Tape	91*50 ±1
5	Tin	high-temperature tin

Dong Guan Honour Electronic Co.,Ltd.	Product type	Wireless Charging coil
Http: //www.forewell-tech.com	Ver.	A