


240.00 mm

240.00 mm

Common product faults

Phenomenon	Cause	Remedy
Cannot start charging	1.The power supply does not meet requirements 2.Unstable connection of power interface 3.The charging distance is out of range 4. There are other metal objects in the charging area	1.Replace the adapter that match 2.Reinsert the power socket 3.using within the specified distance 4.Remove metal foreign bodies
Charging is slow	The temperature of product is too high	Please wait until the temperature drops to room temperature before using the device

Hazardous Substance Declaration

 This mark is the product pollution control mark, the number of which represents the environmental service life. In this period of time, under normal conditions of use harmful substances will not cause greater pollution to the environment or damage to human life and property.

Name of parts	Hazardous substance					
	Lead (Pb)	Mercury (Hg)	Cadmium (Cd)	Hexavalent Chromium (Cr(VI))	Polybrominated Biphenyls (PBB)	Polybrominated diphenyl ethers (PBDE)
Electronic components	×	○	○	○	○	○
Plastic casing	○	○	○	○	○	○
Electroplated aluminum alloy parts	○	○	○	○	○	○
Non-electroplated metal parts	○	○	○	○	○	○
Double faced adhesive tape	○	○	○	○	○	○
Synthetic cork	○	○	○	○	○	○
Silicon parts	○	○	○	○	○	○

This form is in term of Stipulation SJ/T 11364
 ○ It means that the content of the harmful substance in a part of the part is lower than the limit requirements specified in GB/T 26572.
 X It means that the content of the harmful substance in a part of the part exceeds the limit requirements specified in GB/T 26572.

Product Warranty Instructions

Wireless charger product after-sales service strictly in accordance with Law of the PRC on the Protection of the Rights and Interests of Consumers, and Product Quality Law of the People's Republic of China Adopted to provide After-sales service.

- The services are as follows:
- 1.Within 7 days from the next day after purchase (sign for), if this product has performance failure, you can enjoy free return or exchange service after being tested and determined by the after-sales service center;
 - 2.Within 15 days from the next day after you purchase (sign for), if this product has performance failure, you can enjoy free exchange or repair service after being tested and determined by the after-sales service center;
 - 3.Within 1 year from the next day after you purchase (sign for), if this product has performance failure, you can enjoy free repair service after being tested and determined by the after-sales service center.

Non warranty regulations

- In one of the following cases, we don't offer three guarantees and only charging maintenance will be provided:
- 1.Damage caused by improper use, maintenance and storage of consumers;
 - 2.Damage caused by unauthorized service provider;
 - 3.There is no valid invoice or proof of purchase;
 - 4.Damage caused by majeure.

FCC STATEMENT :

This device complies with Part 15 of the FCC Rules. Operation is subject to the following two conditions:
 (1) This device may not cause harmful interference, and
 (2) This device must accept any interference received, including interference that may cause undesired operation.
 Warning: Changes or modifications not expressly approved by the party responsible for compliance could void the user's authority to operate the equipment.
 NOTE: This equipment has been tested and found to comply with the limits for a Class B digital device, pursuant to Part 15 of the FCC Rules. These limits are designed to provide reasonable protection against harmful interference in a residential installation. This equipment generates uses and can radiate radio frequency energy and, if not installed and used in accordance with the instructions, may cause harmful interference to radio communications. However, there is no guarantee that interference will not occur in a particular installation. If this equipment does cause harmful interference to radio or television reception, which can be determined by turning the equipment off and on, the user is encouraged to try to correct the interference by one or more of the following measures:
 Reorient or relocate the receiving antenna.
 Increase the separation between the equipment and receiver.
 Connect the equipment into an outlet on a circuit different from that to which the receiver is connected.
 Consult the dealer or an experienced radio/TV technician for help.
 FCC Radiation Exposure Statement:
 This equipment complies with FCC radiation exposure limits set forth for an uncontrolled environment. This equipment should be installed and operated with minimum distance 20cm between the radiator & your body.

Manufacturer: GCteq Wireless (Shenzhen) Co., Ltd
 Website: <http://www.gcteq.com>

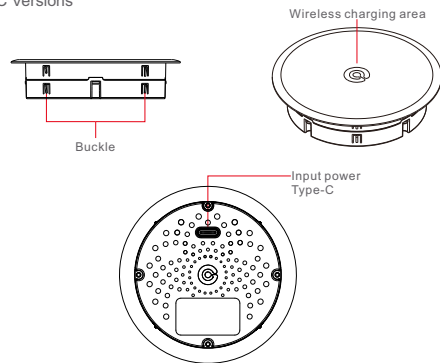
Checked
 Certificated of qualification



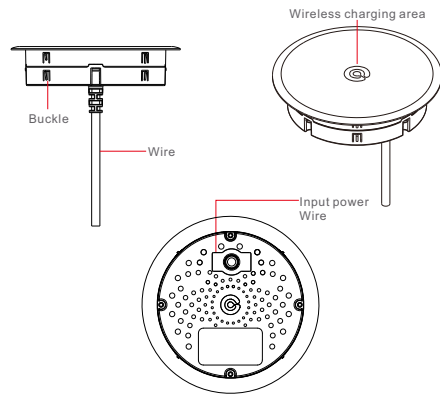
GF01Mini Series
 Product instruction

Introduction

Type-C Versions



Extension cord version

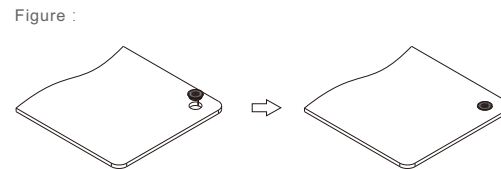


Installation

- 1.Open a 59.5-60mm diameter through-hole in the appropriate position of furniture, such as table, sofa armrest, etc..
 (Note: The overall thickness of the product is 15mm, the thickness of the soft material of the hole should not exceed 5mm)



2. Adjust the position of the product and install it into the hole.



Specification

Product name	Embedded wireless charger			
Model	GF01Mini-36VGH	GF01Mini-36VH	GF01Mini-12VGH	GF01Mini-12VH
Color	White	Black	White	Black
Input	DC 12V-36V			
Wireless charge output power	15W Max			
Wireless charging transmission distance	3-8mm			
Protection	Over current, over voltage, over temperature, short circuit, FOD foreign body detection			
Size	Φ72.1mm×16.7mm			

Matters need attention

Please read and follow the instructions carefully before installing and using this product:

1. Please use the original power adapter of this product to provide power for the wire-free charger.
2. Make sure there are no metal objects between the wireless charger and the mobile phone while phone is charging, to prevent metal objects from being heated by mistake.
3. Please do not place magnetic cards such as bank cards and corporate cards in the charging area to avoid damaging.
4. In order to get a better wire-free charging, please do not exceed the maximum charging distance of the product.

Instructions

1. Make sure that your phone supports wireless charging, because the wireless charging requires the support of the wireless induction coil built into the phone(hardware);
2. When you power on the wireless charger, please make sure there is no magnetic object (metal, magnet, etc.) in the charging area, then switch on the power, and place the mobile phone in the charging area;
3. The wireless coil of different phones is located in different locations. The sensor area is generally located in the center of the phone. You need to make sure that the wireless coil of the phone is aligned with the center of the wireless charging area. When charging starts, the screen will light up to show the charging prompt;
4. You need to pay attention to the limitation of charging distance for wireless charging. The distance between the phone and the wireless charger should not exceed the maximum charging distance of the product.

材质工艺要求:

材质: 70g普通书写纸

工艺: 单色双面印刷、风琴折

印刷要求: 色相正确、印迹牢固、套印准确、各色套印不漏杂色、套印误差≤0.1mm

说明书边角为直角、不做R角