

### Precautions

- Please refer to the following precautions before installing and using this product:
1. Use a power adapter that meets certified standards for power supply.
  2. Ensure that there are no metal foreign objects between the wireless charger and the phone when charging to prevent accidental heating of metal objects.
  3. Avoid placing magnetic cards, such as bank cards and bus cards, in the charging area to prevent damage to the cards.
  4. Wait until the clamp arm is completely clamped before releasing the mobile phone.
  5. Hold the mobile phone first when taking it out to prevent it from falling after the clamp arm is released.
  6. Do not forcefully pull the phone or open the clamp arm.
  7. Avoid bending the hose at a large angle when adjusting it. Refer to the operating instructions diagram to avoid damage and breakage of the hose.
  8. Do not violently rotate the mobile phone holder more than 360° to prevent excessive rotation of the ball head and invalidation of the rotary limit switch.

### Features

1. Simple and convenient installation.
2. Wireless charging for leisure, entertainment, and office scenarios.
3. Flexible long snake arm and rotating ball head design to position the phone at the best view angle.
4. Electric clamp arm with physical buttons on both sides, making it easy to operate and preventing accidental touches.
5. 15W wireless charging compatible with all Qi standard mobile phones.

### Product Failure Table

Troubles	Cause	Troubleshooting
Wireless Charging Not Working	1. Incorrect power supply 2. Poor power interface contact	1. Replace with correct adapter 2. Re-plug power port
Wireless Charging is Slow	Have significant increase in temperature when wireless charging	Wait until it has cooled down to room temperature, before using the product
Clamp Arm not working	1. Incorrect power supply 2. Foreign object in clamp arm	1. Replace with correct adapter 2. Remove foreign object

### Hazardous Substance Declaration

This mark is the product pollution control mark, the number of which represents the environmental service life. In this period of time, under normal conditions of use harmful substances will not cause greater pollution to the environment or damage to human life and property.

Name of parts	Hazardous substance					
	Lead (Pb)	Mercury (Hg)	Cadmium (Cd)	Hexavalent Chromium (Cr(VI))	Polybrominated diphenyls (PBB)	Polybrominated diphenyl ethers (PBDE)
Electronic components	×	○	○	○	○	○
Plastic casing	○	○	○	○	○	○
Electroplated aluminum alloy parts	○	○	○	○	○	○
Non-electroplated metal parts	○	○	○	○	○	○
Double faced adhesive tape	○	○	○	○	○	○
Synthetic cork	○	○	○	○	○	○
Silicon parts	○	○	○	○	○	○

This form is in term of Stipulation SJ/T 11364  
 O It means that the content of the harmful substance in a part of the part is lower than the limit requirements specified in GB/T 26572.  
 X It means that the content of the harmful substance in a part of the part exceeds the limit requirements specified in GB/T 26572.

### Product Warranty

Wireless charger product after-sales service strictly in accordance with Law of the PRC on the Protection of the Rights and Interests of Consumers, and Product Quality Law of the People's Republic of China Adopted to provide After-sales service.

- The services are as follows:
1. Within 7 days from the next day after purchase (sign for), if this product has performance failure, you can enjoy free return or exchange service after being tested and determined by the after-sales service center;
  2. Within 15 days from the next day after you purchase (sign for), if this product has performance failure, you can enjoy free exchange or repair service after being tested and determined by the after-sales service center;
  3. Within 1 year from the next day after you purchase (sign for), if this product has performance failure, you can enjoy free repair service after being tested and determined by the after-sales service center.

### Non warranty regulations

- In one of the following cases, we don't offer three guarantees and only charging maintenance will be provided:
1. Damage caused by improper use, maintenance and storage of consumers;
  2. Damage caused by unauthorized service provider;
  3. There is no valid invoice or proof of purchase;
  4. Damage caused by majeure.

### FCC STATEMENT :

This device complies with Part 15 of the FCC Rules. Operation is subject to the following two conditions:  
 (1) This device may not cause harmful interference, and  
 (2) This device must accept any interference received, including interference that may cause undesired operation.  
 Warning: Changes or modifications not expressly approved by the party responsible for compliance could void the user's authority to operate the equipment.  
 NOTE: This equipment has been tested and found to comply with the limits for a Class B digital device, pursuant to Part 15 of the FCC Rules. These limits are designed to provide reasonable protection against harmful interference in a residential installation. This equipment generates uses and can radiate radio frequency energy and, if not installed and used in accordance with the instructions, may cause harmful interference to radio communications. However, there is no guarantee that interference will not occur in a particular installation. If this equipment does cause harmful interference to radio or television reception, which can be determined by turning the equipment off and on, the user is encouraged to try to correct the interference by one or more of the following measures:  
 Reorient or relocate the receiving antenna.  
 Increase the separation between the equipment and receiver.  
 Connect the equipment into an outlet on a circuit different from that to which the receiver is connected.  
 Consult the dealer or an experienced radio/TV technician for help.  
 FCC Radiation Exposure Statement:  
 This equipment complies with FCC radiation exposure limits set forth for an uncontrolled environment. This equipment should be installed and operated with minimum distance 20cm between the radiator & your body.

Manufacturer: Gcteq Wireless (Shenzhen) Co., Ltd  
 Website: <http://www.gcteq.com>

Checked  
 Certificated of qualification

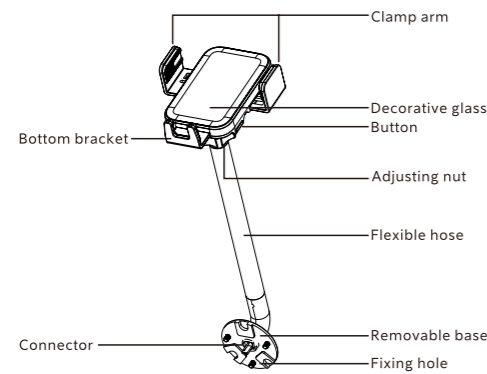


GF-10A Series  
 Wireless Charging phone Holder

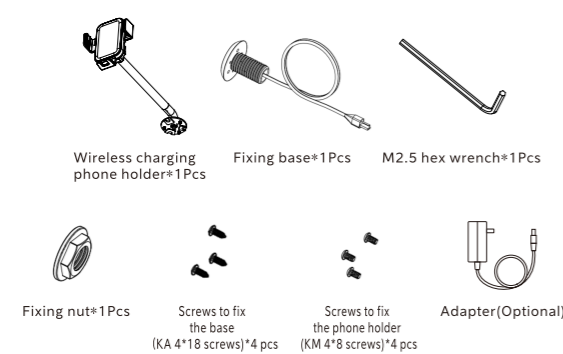
User manual

### Product description

1. Product function diagram:

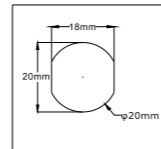


2. Packing list:

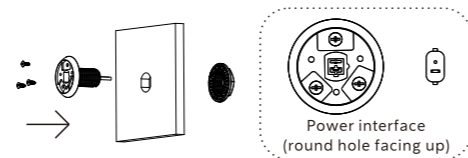


### Installation

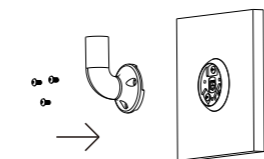
1. The size of the board opening is shown in diagram below, the recommended board thickness is 15-20mm.



2. Insert the female base into the mounting hole of the wooden board, making sure to pay attention to the correct installation direction. Tighten the fixing nut and lock the three screws (KA 4\*18).



3. After inserting the male end of the connection base into the female base, tighten the screw (KM 4\*8).



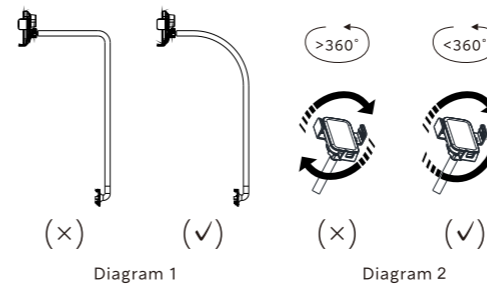
### Instructions

Mobile phone charging operation:

- After power on, the keys turn on green for 5 seconds and turn off.
- Turn on the device and place your wireless-charging phone on it. The clamp arm will hold it in place and the green lights will blink while charging.
- To remove the phone, press one of the button .Or the clamp arm will close automatically after 5 seconds.
- Put your phone in the clamp arm for non-wireless charging. The indicator light will flash for 5 seconds.

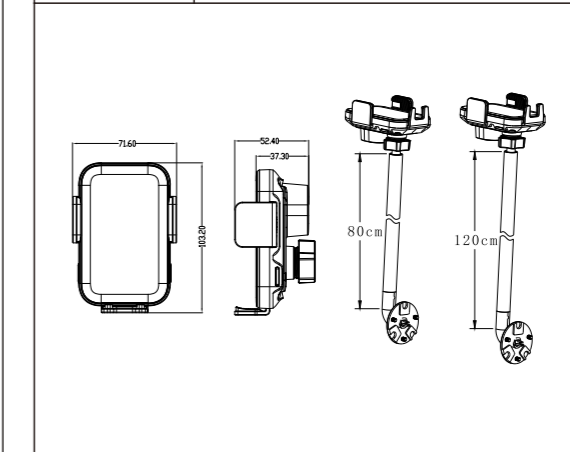
To adjust the bracket:

- Bend the hose to a large angle only. Do not bend locally at small angles. See diagram 1.
- Don't rotate the phone holder more than 360 degrees or it will break. See diagram 2.



### Specifications

Product name	Wireless Charging phone Holder
Model	GF-10A-38V
Input	DC 12V-36V
Input connector	01 Male
Bracket length	80cm
Wireless charging power	15W Max
Applicable phone width	62mm-88mm



材质工艺要求: 材质: 70g普通书写纸  
 工艺: 单色双面印刷、风琴折  
 印刷要求: 色相正确、印迹牢固、套印准确、各色套印不漏杂色、套印误差≤0.1mm  
 说明书边角为直角、不做R角