

Precautions

Please read and observe the following precautions carefully before installing and using this product:

1. Please supply power to the wireless charger using the original power adapter for this product.
2. The wireless charging distance of this product is 3-8mm (coil-coil)
3. Please ensure that there are no metal foreign bodies between the wireless charger and the mobile phone before charging, so as to prevent the metal foreign bodies from being heated by mistake.
4. Do not place magnetic cards such as bank cards and bus cards in the charging area to avoid damage to the cards.
5. For a better wireless charging experience, please do not use the product beyond the maximum charging distance.
6. The heating and cooling functions can only be used after the charging module is screwed out.
7. If the charging module is manually toggled or not rotated properly, heating and cooling functions may not be available.
8. Please reserve space for cooling product.

Performance Features

1. With unique installation process, it can realize convenient and quick installation.
2. It consists of three core functions including wireless charging, wired charging and heating \cooling, which can meet different scenarios.
3. With intelligent power distribution, it can meet different application combinations.
4. It is compatible with wireless fast charging protocols of mainstream devices such as Apple 7.5W and Samsung 10W.
5. It provides A 18W and C65W (maximum) wired charging interface.

Instructions:

1. Make sure that your phone supports wireless charging, because the wireless charging requires the support of the wireless induction coil built into the phone(hardware);
2. When you power on the wireless charger, please make sure there is no magnetic object (metal, magnet, etc.) in the charging area, then switch on the power, and place the mobile phone in the charging area;
3. The wireless coil of different phones is located in different locations. The sensor area is generally located in the center of the phone. You need to make sure that the wireless coil of the phone is aligned with the center of the wireless charging area. When charging starts, the screen will light up to show the charging prompt;
4. You need to pay attention to the limitation of charging distance for wireless charging. The distance between the phone and the wireless charger should not exceed the maximum charging distance of the product.

Common product faults

Phenomenon	Cause	Remedy
Cannot start charging	1.The power supply does not meet requirements; 2.Unstable connection of power interface. 3.The charging distance is out of range. 4.There are other metal objects in the charging area.	1.Replace the adapter that match. 2.Reinsert the power socket. 3.using within the specified distance. 4.Remove metal foreign bodies
Charging is slow	The temperature of product is too high	1. Keep reasonable space for heat dissipation 2. Please wait until the temperature drops to room temperature before using the device
Heating and cooling components do not work	1. The charging module is not fully screwed out; 2. Product power is insufficient; 3. Product temperature is too high; 4. The touch button fails.	1. Please ensure that the charging module has been completely unscrewed; 2. Confirm whether to use the standard adapter; 3. Reserve sufficient space for heat dissipation, and start using the devices after the product temperature drops; 4. Report device fault for repair.

Hazardous Substance Declaration

This mark is the product pollution control mark, the number of which represents the environmental service life. In this period of time, under normal conditions of use harmful substances will not cause greater pollution to the environment or damage to human life and property.

Name of parts	Hazardous substance					
	Lead (Pb)	Mercury (Hg)	Cadmium (Cd)	Hexavalent Chromium (Cr(VI))	Polybrominated Biphenyls (PBB)	Polybrominated diphenyl ethers (PBDE)
Electronic components	×	○	○	○	○	○
Plastic casing	○	○	○	○	○	○
Electroplated aluminum alloy parts	○	○	○	○	○	○
Non-electroplated metal parts	○	○	○	○	○	○
Double faced adhesive tape	○	○	○	○	○	○
Synthetic cork	○	○	○	○	○	○
Silicon parts	○	○	○	○	○	○

This form is in term of Stipulation SJ/T 11364
 ○ It means that the content of the harmful substance in a part of the part is lower than the limit requirements specified in GB/T 26572.
 × It means that the content of the harmful substance in a part of the part exceeds the limit requirements specified in GB/T 26572.

Product Warranty

The warranty services of repair, exchange and return are provided for wireless charger products in strict accordance with the provisions of Consumer Rights Protection Law of the People's Republic of China and Product Quality Law of the People's Republic of China.

The service contents are as follows:

1. If any performance fault occurs in the product within 7 days from the day following the purchase (signature for receipt), you can enjoy the return or exchange services free of charge after testing and confirmation by the after-sales service center;
2. If any performance fault occurs in the product within 8-15 days from the day following the purchase (signature for receipt), you can enjoy exchange or repair services free of charge after testing and confirmation by the after-sales service center;
3. If any performance fault occurs in the product within 1 year from the day following the purchase (signature for receipt), you can enjoy repair services free of charge after testing and confirmation by the after-sales service center;

Non-warranty Provisions

The warranty services of repair, exchange and return are not provided in one of the following cases, and only repair is provided for a fee;

1. Damage is caused by consumers due to improper use, repair and storage;
2. Damage is caused due to the repairs not performed by authorized service providers designated by the Company;
3. No valid warranty services or invoices or proof of purchase can be provided;
4. Damage is caused due to force majeure.

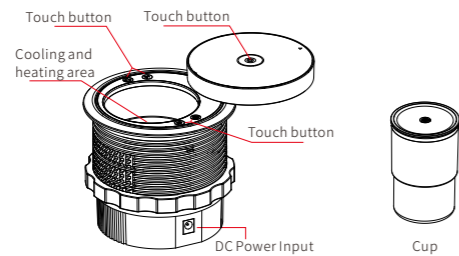
Manufacturer: GCTeq Wireless (Shenzhen) Co., Ltd
 Website: <http://www.gcteq.com>

Checked
 Certificated of qualification

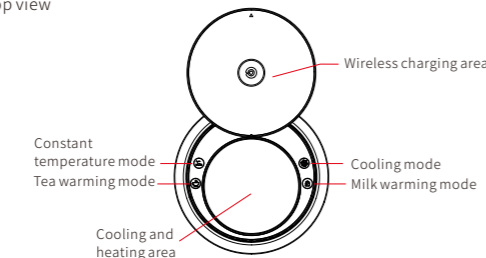


Instruction

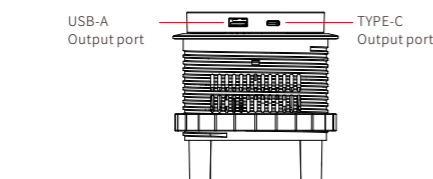
Perspective View



Top view

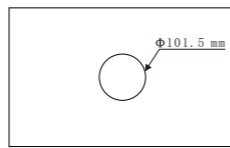


Front view

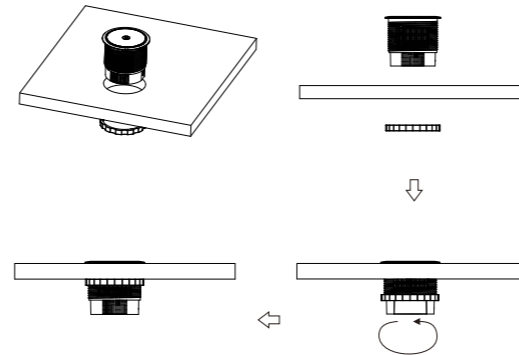


Fixtion for Installation

1. The maximum outer diameter of product is 100.5mm, and the bottom depth is 97.8mm. The suggested size of hole on the surface of furniture ranges from 101mm to 101.5mm, and a reasonable gap is reserved at the bottom to facilitate the heat dissipation of product, as shown in the figure below:



2. Put the product into the drilled round hole, and tighten the fixing ring at the bottom, as shown in the figure below:



Operation Instructions

Definition of movement module buttons and indicator lights

Button form	Touch button				
	State	Initial state	Raising state	Screw-out state	
Button action	Click	Double-click	Click	Double-click	Double-click
Movement	Raise	Raise and rotate rightwards	Descend	Rotate rightwards	Rotate leftwards
Indicator	Blue	Green	Blue	Green	Green

Definition of buttons and indicator lights of heating and cooling modules

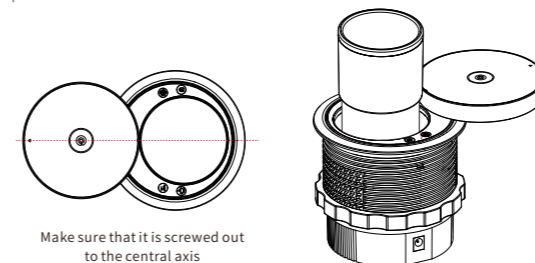
Button form/action	Touch button/click			
Icon				
Mode	Constant temperature	Tea warming	Cooling	Milk warming
Indicator	Red	Orange	Blue	Yellow

Note:

The heating and cooling functions can only be enabled after the product is screwed out, please make sure that the product has been fully screwed out and entered the following state. If the product is manually toggled or not rotated properly, the heating and cooling functions may not be available;

Operation instructions for heating and cooling:

Put the liquid into the heating and cooling cup, put the cup into the cup holder, and then select the corresponding function. The heating and cooling functions will be automatically turned off after three hours of operation.



Specifications

Product name		Embedded intelligent multi-functional charger
Model		GF-04 PRO
Input		DC 24V 72W
Wireless charger	Output	15W Max, compatible with 10W/7.5W/5W
	Transmission distance	3-8mm(coil-coil)
Output of Type-C		65W Max Supports PD3.0, PPS(3.6V~20V), QC4.0(5V~20V), FCP, AFC, Apple 2.4A protocols
Output of USB-A		18W Max supports QC4.0, QC3.0, SCP,FCP,AFC, Apple 2.4A protocols
Heating and cooling function	Power	33W
	Cup capacity	350ML
	Constant temperature mode	50°C-55°C
	Cooling mode	2°C-12°C
	Tea warming mode	30°C-35°C
	Milk warming mode	40°C-45°C
Protection		Overcurrent, overvoltage, short circuit, FOD
Dimensions		Φ115mm×101.5mm

FCC STATEMENT:

This device complies with Part 15 of the FCC Rules. Operation is subject to the following two conditions:
 (1) This device may not cause harmful interference, and
 (2) This device must accept any interference received, including interference that may cause undesired operation.
 Warning: Changes or modifications not expressly approved by the party responsible for compliance could void the user's authority to operate the equipment.
 NOTE: This equipment has been tested and found to comply with the limits for a Class B digital device, pursuant to Part 15 of the FCC Rules. These limits are designed to provide reasonable protection against harmful interference in a residential installation. This equipment generates uses and can radiate radio frequency energy and, if not installed and used in accordance with the instructions, may cause harmful interference to radio communications. However, there is no guarantee that interference will not occur in a particular installation. If this equipment does cause harmful interference to radio or television reception, which can be determined by turning the equipment off and on, the user is encouraged to try to correct the interference by one or more of the following measures:
 Reorient or relocate the receiving antenna.
 Increase the separation between the equipment and receiver.
 Connect the equipment into an outlet on a circuit different from that to which the receiver is connected.
 Consult the dealer or an experienced radio/TV technician for help.
 FCC Radiation Exposure Statement:
 This equipment complies with FCC radiation exposure limits set forth for an uncontrolled environment. This equipment should be installed and operated with minimum distance 20cm between the radiator & your body.