

# Mei Shun He Electronic Limited

---

客户/Ciient                      Mei Shun He Electronic Limited  
名称/TYPE                      Double coil  
产品型号  
Product model                      A28  
产品编号/  
Product No                      A28-001

本公司工程部/For Enginer Departner Only	
修改内容/Rvised Cintent	认可日期/APProved Date

编制/Prepared                      审核/Checked                      认可/Approved  
万纪美                                      万纪美                                      刘成昭

---

---

---

客户认可回签/Authorixed Signaturure Company Chop		
工程/ Enginrer	认可/QC APProved	认可日期/APProved

# Mei Shun He Electronic Limited

## 一、线圈工艺/Winding Procese:

NO	绕组 winding	线规 Wire gauge	匝数 Turns	绕线方向 Winding direction	备注 remarks
1	N1	2UEW-B-0.8*105P	12TS	CCW	
2					

## 二. 电气性能/FEATURES:

1.测试条件 (Test conditions) : 25°C,65%RH@100KHz/1V

1.1 电感量 (Inductance)

1.11 L0A (Individual coil) =3.8uH±20%

1.12 L0A(Coil+magnetic disc)=6.5uH±10%

1.2 Q value=30MIN

1.3 DC resistance (DCR) : 80mΩ MAX

1.4 工作温度(Operating Temperature): -25°C~85°C

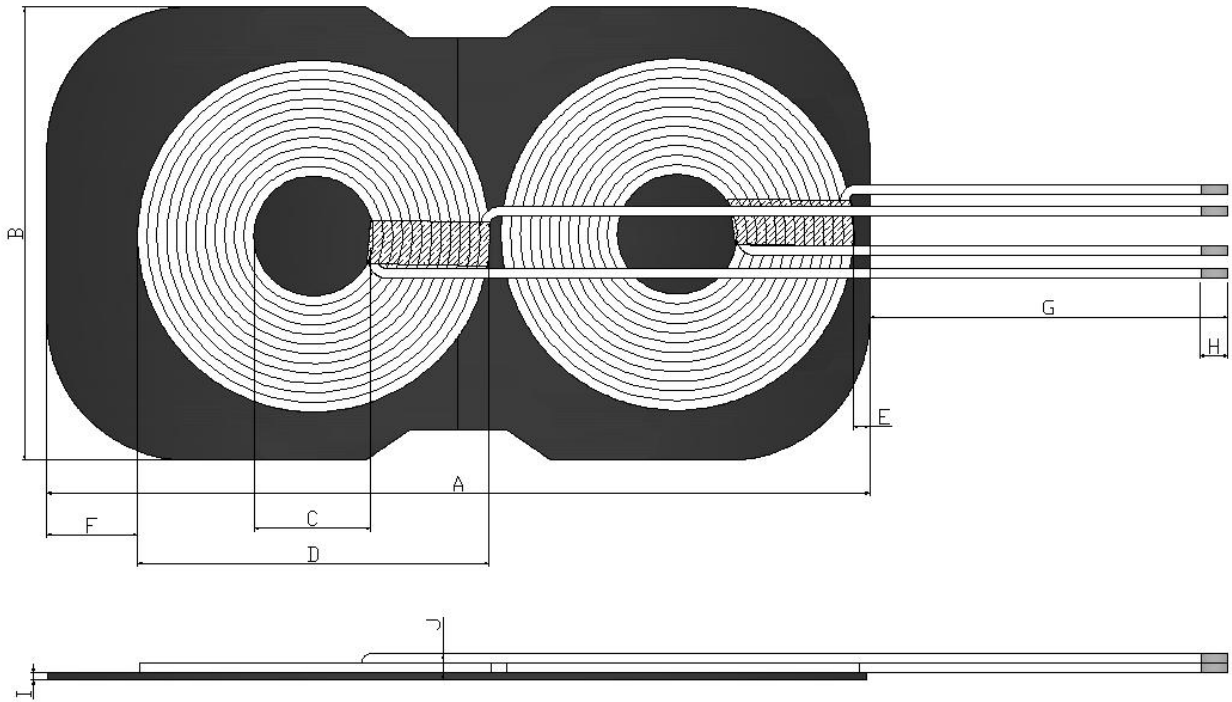
2.测试仪器(Test instrument): **L:**创达 1068+1310;**DCR:**502BC;**SIZE:**Callipers

### 3.材料清单

N O	project	Material Science
1	WIRE	φ 0.08*105p 2UEW-
2	FERRITE	93*52*0.8 LType B double slot perforated ferrite hard magnet
3	GLUE	Water based white glue
4	SOLDER	HQ-996/JS-996
5	Tin	Qiandao Pure Tin
6	High temperature adhesive	8MM High temperature adhesive tape
7		
8		

# Mei Shun He Electronic Limited

## 四. 外形图/OUTSIDE DIAGRA



Note: Wrap 8MM (ref) high temperature adhesive tape at the coil outlet, and stick double-sided adhesive tape on the back of the magnetic disc

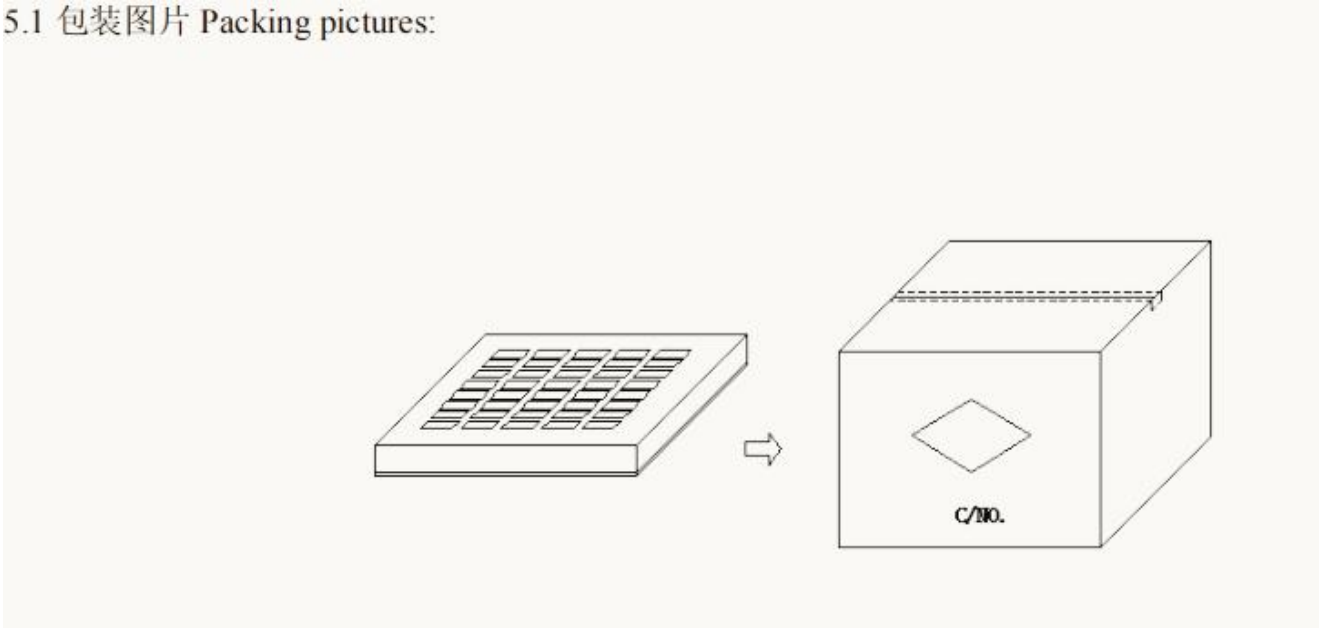
标准	A	B	C	D	E	F	G	H
STD	93±0.5	52±0.5	13.4±0.5	38.5±0.5	1.5±0.5	13.5±1	45±1	3±1

单位: MM

# Mei Shun He Electronic Limited

## 五. 包装/PACKAGE

### 5.1 包装图片 Packing pictures:



### 5.2 包装数量及规格 Packing Quantity:

项目 Item	数量 Quantity	材料规格 Material
盒 Box	350 Pcs	345*330*50 mm
箱 Big Carton	1750 Pcs	360*340*280 mm

### 5.3 包装以现有包装盘为参照标准，以实际出货包装为准，如有特殊要求可定制。

The packaging shall be based on the existing packing plate and the actual delivery package shall prevail. If there is any requirement, we can customize it.

## 六、贮存和使用条件 Storage and Use condition

### 6.1 贮存条件 Storage condition

6.1.1 建议贮存条件：温度 $-25^{\circ}\text{C} \sim 85^{\circ}\text{C}$ ，湿度 70% (Max.)

Recommended keeping conditions:  $-25^{\circ}\text{C} \sim 85^{\circ}\text{C}$ , 70%RH (Max.)

6.1.2 贮存期限：自生产之日起六个月内

Storage life : Within the limits of six months from being produced.

### 6.2 使用条件 Use condition

使用条件限制：温度 $=-25^{\circ}\text{C} \sim 85^{\circ}\text{C}$ ，湿度 $\leq 90\%$

Use condition limit:  $T=-25^{\circ}\text{C} \sim 85^{\circ}\text{C}$ ,  $\text{RH} \leq 90\%$ .