

BASIC OPERATION

POWER SWITCH

USING POWER ADAPTOR:

1. First of all, please make sure you have connected the power adaptor to the DC power supply jack and plug the DC adaptor into a power outlet.
2. Press the [POWER] switch, the LED light on the left will light up, indicating power has been turned on.

NOTICE:

If the LED light on the left doesn't light up after pressing the [POWER] switch, please check whether the power adaptor has been plugged in correctly.

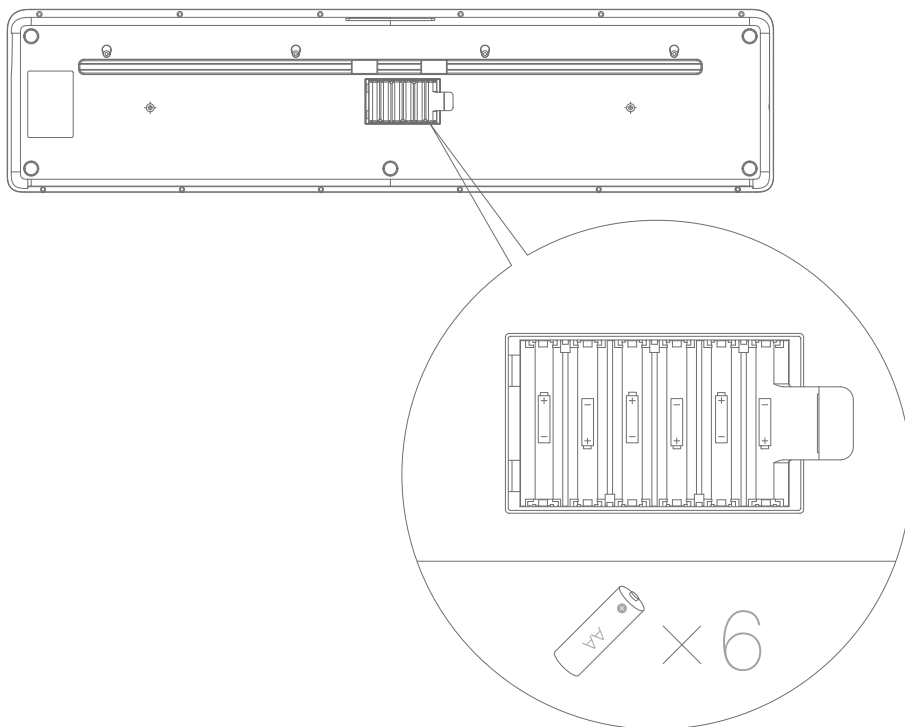
USING BATTERIES:

This instrument requires 6“AA” size batteries.

1. Open the battery compartment cover located on the instrument's bottom panel.
2. Insert the 6 new batteries, following the polarity markings on the compartment.
3. Replace the compartment cover, making sure it locks firmly.
4. Up to 6 hours battery life with active playing.

! WARNING:

1. Please don't mix old and new batteries.
2. Please don't mix battery types.
3. If the instrument will not be used for an extended period, please take out all the batteries.





EXTRA FEATURES

NOTE:

This only lists the features on the piano. For specific instructions, refer to the app or contact our support team by support@smartpiano.com.

SELECTING DIFFERENT TIMBERS

When connected to the app, you can choose from 426 different timbres, including 16 folk instruments, 9 types of percussion, 256 MIDI tones and more. There is a sound for every type of performance.

! TIPS:

When the piano is being used without the app, the sound will be the acoustic grand piano sound by default.

SETTING THE RANGE

Using the piano's transpose function, you don't need to read just your own notes. Use the piano to move up half semitones for the whole keyboard. You can adjust up or down 12 semitones.

SETTING THE OCTAVE

Through the piano, you can change the pitch of the entire keyboard up or down 1 full octave.

AUTO-OFF

The device will automatically shut off when it is timed no action. The default is set to 30 minutes.



IMPORTANT SAFETY INFORMATION

Before you use this product, read the instructions carefully. Keep this manual to refer back to later.

WARNING

The functions of this product may be affected by strong electromagnetic interference. If this happens, simply follow the instructions to restart the system. If the functions still cannot work after rebooting, try to use the product in another location.

POWER CORD

When you unplug the power cord from the outlet, please grasp it by the head to take it out.

Don't pull the cord out or it will risk getting damaged. Avoid using with a power strip, as it may overheat the socket.

If you're using a different power adaptor with this product, you may risk causing a fire or electric shock. For safety, disconnect the power plug when not in use or during a thunderstorm.

CONNECTION

Before connection the product to other devices, turn off the power on all devices. This will prevent equipment failure and damage.

PLACEMENT

In order to avoid deformation, discoloration, and other damages to the product, do not use under the following conditions:

- Under direct sunlight or heat
- Places that are dusty, hot, humid or have strong vibrations
- Close to magnetic fields

INTERFERENCE TO OTHER DEVICES

When this product is placed around TV's, radios or cellphones, it can cause interference. When using this product, please keep a distance from TV's, radios and cellphones.

PRODUCT CARE

To clean the device, use a soft and dry cloth. Do not use paint thinners, solvents, cleaning fluids or chemicals on the cleaning cloth. Do not apply too much force on the On/Off button.

The piano is best stored in the following conditions: 15–35 degrees Celcius and a humidity level of 75%.

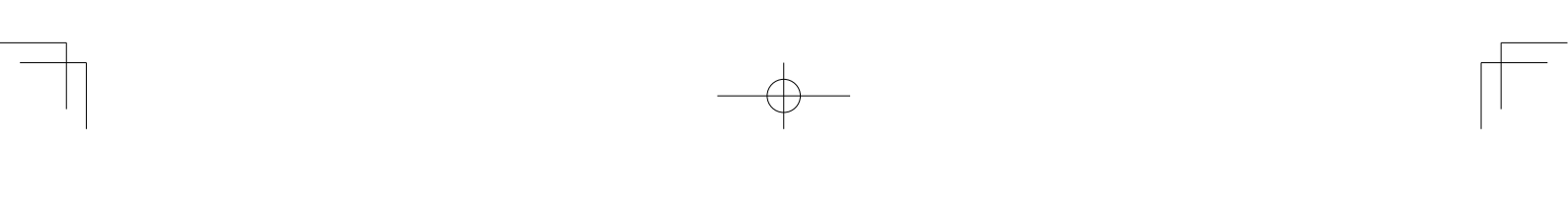
DISPOSAL

Avoid getting paper, metal and other debris into the device. If it happens, unplug the power cord from the wall. Follow up with a professional to inspect the equipment. Before moving the product around, please disconnect the power supply.

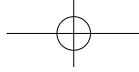


SPECIFICATIONS

NAME	SPECIFICATIONS
Appearance	The ONE Keyboard Air
Keyboard	61 non-weighted keys, standard piano keyboard texture
Polyphony	64 Polyphony
Sound	426 timbres setting via "The ONE Smart Piano" App
LED	61 red LEDs on keys
Pedal	Sustain
Device connection	Bluetooth / cable connection Support devices which have Bluetooth BLE4.0 + (iOS 9.0+, Android 4.4+ and support USB Host/OTG)
Audio socket	One 3.5mm headphone socket
Auxiliary input	One 6.35mm auxiliary input socket
Auxiliary output	One 6.35mm auxiliary output socket



NOTE: When specifications are subject to change, refer to the actual product.



TROUBLESHOOTING

ISSUE	HOW TO FIX IT
There is noise when the instrument is turned on or off.	This is normal, there is nothing that needs to be fixed.
The piano makes no sound when playing the keyboard.	Check that the volume isn't too set too low, and check if the headphone jack is in.



FCC STATEMENT

This equipment has been tested and found to comply with the limits for a Class B digital device, pursuant to Part 15 of the FCC Rules. These limits are designed to provide reasonable protection against harmful interference in a residential installation. This equipment generates uses and can radiate radio frequency energy and, if not installed and used in accordance with the instructions, may cause harmful interference to radio communications. However, there is no guarantee that interference will not occur in a particular installation. If this equipment does cause harmful interference to radio or television reception, which can be determined by turning the equipment off and on, the user is encouraged to try to correct the interference by one or more of the following measures:

- Reorient or relocate the receiving antenna.
- Increase the separation between the equipment and receiver.
- Connect the equipment into an outlet on a circuit different from that to which the receiver is connected.
- Consult the dealer or an experienced radio/TV technician for help.

§ 15.21 Information to user.

Any Changes or modifications not expressly approved by the party responsible for compliance could void the user's authority to operate the equipment.

§ 15.19 Labelling requirements.

This device complies with part 15 of the FCC Rules. Operation is subject to the following two conditions: (1) This device may not cause harmful interference, and (2) this device must accept any interference received, including interference that may cause undesired operation.



The **ONE**[®]
— Keyboard Air —

TOM NO.1907001

