

Shenzhen Yuangu Technology Co., Ltd
ADD: No.101, 1st Factory Building, Hebei Industrial Park, Bantian Sub-district, Longgang District, Shenzhen, China
TEL: 0755-23775550
FAX: 0755-23775550
E-Mail: shafer@yogotec.com

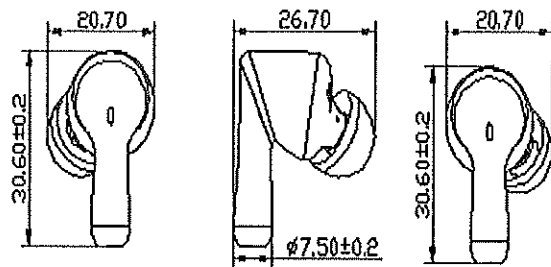
To
FEDERAL COMMUNICATIONS COMMISSION
Authorization and Evaluation Division
7435 Oakland Mills Road
Columbia, MD 21046

Dear Sir/Madam,

We, Shenzhen Yuangu Technology Co., Ltd, FCC ID: 2ATWG-YGAT01, hereby submits justification for placing the FCC ID label to the charging box. According to the FCC Regulation and Guidance (KDB Publication 784748 D01 v09R01) allows for the FCC to be removed to charging box if the device is unquestionably too small for the FCC ID label to be printed.

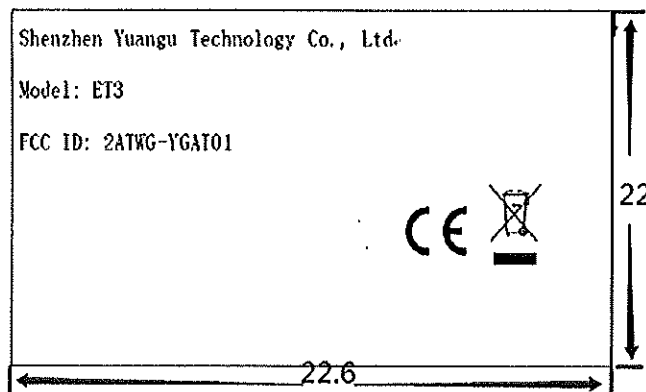
The measurement of headset: Length (26.70mm)*Width (20.70mm)*High (30.60±0.2mm), label: Length 22.6(mm)*Width 22(mm), charging box: 68±0.3(mm)*32.60±0.3(mm)*43.60±0.3(mm). Refer to the above quote, as the headset are too small for the FCC ID label to be printed, so the FCC ID label will be moved to the charging box. For details, please see below photos:

Headset



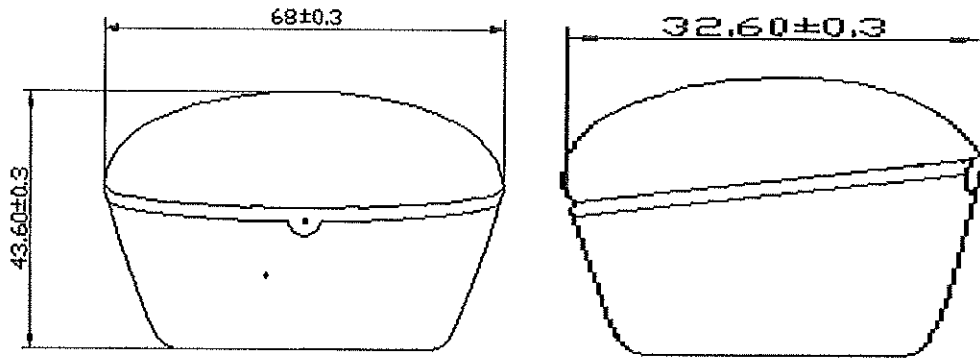
Unit: mm

Label



Unit: mm

Charging box



Unit: mm

Sincerely,

Signature: *TAN XIANFU*

Printed name: TAN XIANFU

Title: Product Manager