

FCC ID:2ATW7-DV426CVGW4

# Operating Instructions



Federal Communication Commission (FCC) Radiation Exposure Statement  
When using the product, maintain a distance of 20cm from the body to ensure compliance with RF exposure requirements.

This device complies with part 15 of the FCC rules. Operation is subject to the following two conditions:

- (1) this device may not cause harmful interference, and
- (2) this device must accept any interference received, including interference that may cause undesired operation.

NOTE: The manufacturer is not responsible for any radio or TV interference caused by unauthorized modifications or changes to this equipment. Such modifications or changes could void the user's authority to operate the equipment.

## DVR

Thank you for using our Mobile DVR. Please read this User's Manual carefully to ensure that you can use the device correctly and safely.

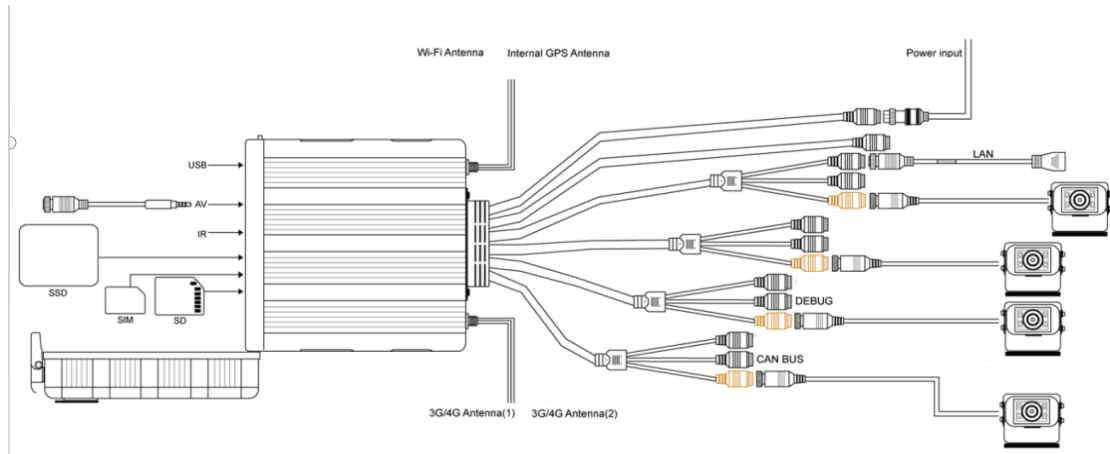
The contents of this manual are subject to change without notice.

V1.0

# 1. Specifications

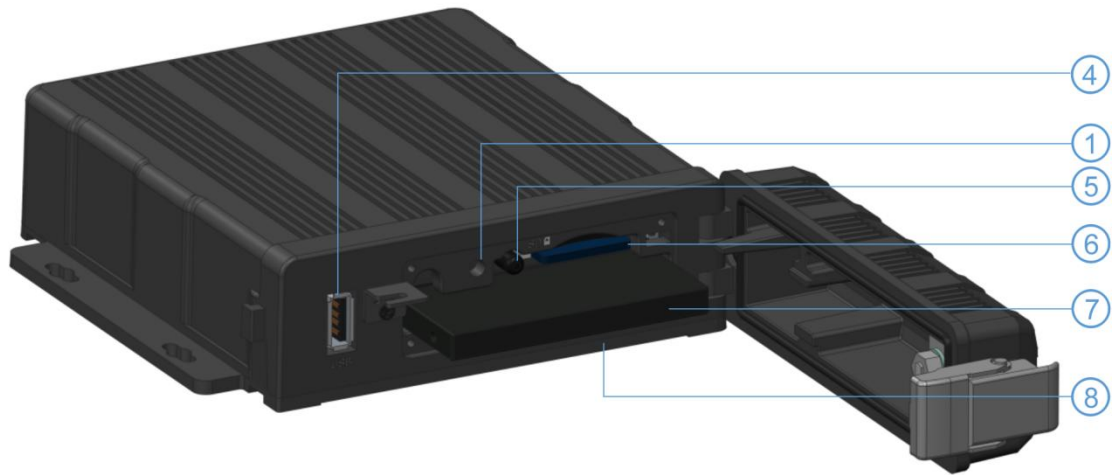
4CH HD DVR		
System	Operating system	Linux
	Operating interface	Graphical menu operation interface(OSD)
Storage	Storage	2.5 inch SATA SSD x 1, max 2TB; SD card x 1, max 128GB
Interface for communication	IR	1 channel
	RS232	NULL
	RS485	NULL
	CAN	2 channels
	RJ45	1 channel
	USB mini-B	NULL
	USB2.0	1channel for copying file(SSD、SD) and firmware upgrade
	USB3.0	NULL
Wireless	3G/4G	optional
GPS	Internal or external GPS/GLONASS module	
G-Sensor /Gyroscope	Available	night axis sensor
Software	Windows client	Available
	iOS client	Available
	Web portal	Available
Power	Input	10~32V
	Max Power Consumption	24W
	Standby Power Consumption	100mW
Electrical spec	Operating temp. & humidity	-20~70 degree/ <100%
	Super Capacitor	Available
	Clock	Built-in clock, Calendar
Video	Video input	4 channels

## 2. Wiring Diagram



## 3. Connection - Front Panel





- ① LED Indicators
- ② Electronic lock
- ③ Front Cover Buckle
- ④ USB2.0 Interface
- ⑤ IR Receiver
- ⑥ SD Card Slot
- ⑦ SSD Slot
- ⑧ SIM Card Slot

### 3.1 LED

- LED Type: Close, Open, Quick Flash(250ms), Slow Flash(500ms)
- Red LED: Power status and Network status

LED	Power	Network(LTE)	Network(Server)
Close	Power OFF	Disconnected	Disconnected
Quick Flash(250ms)	Power ON	Disconnected	Disconnected
Slow Flash(500ms)	Power ON	Connected	Disconnected
Open	Power ON	Connected	Connected

- Green LED: Working status and Time sync status

LED	Working status	Time sync
Close	Waiting for MCU startup	Incomplete Timesync
Quick Flash(250ms)	Waiting for ARM startup	Incomplete Timesync
Slow Flash(500ms)	ARM Activation	Incomplete Timesync
Open	ARM Activation	Complete Timesync

- Displayed by switching red and green every 5 seconds.



### 3.2 Electronic Lock

- Close the front cover and turn the groove by the key to the icon “off”, so as to prevent hard disk drive from moving out. Or turn to the icon “on” to open the front cover.

### 3.3 Remote Receiver

Blank

### 3.4 SSD card slot

- Hard disk Type: SSD (Max. capacity: 2T )
- Size: 2.5 inches(70\*100\*7mm).

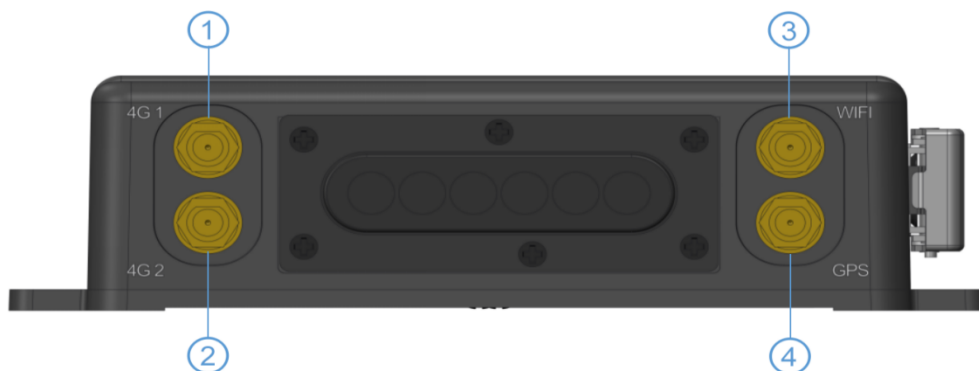
### 3.5 SD card slot

- SD card type: The maximum capacity of each card is 128G.
- Insert、remove SD card
  - Step 1: Use the key to unlock and open front plate
  - Step 2: Insert SD card to SD card slot
  - Step 3: Close the front plate and use the key to lock

### 3.6 USB Slot

USB 2.0, Max. Capacity 2T

## 4. Back Plate

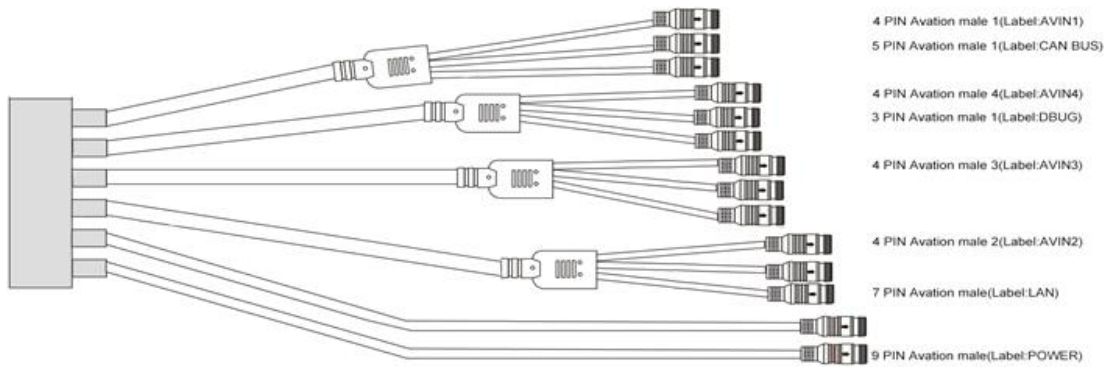


① Cellular Connector, TX/RX

② Cellular Diversity Connector, Rx

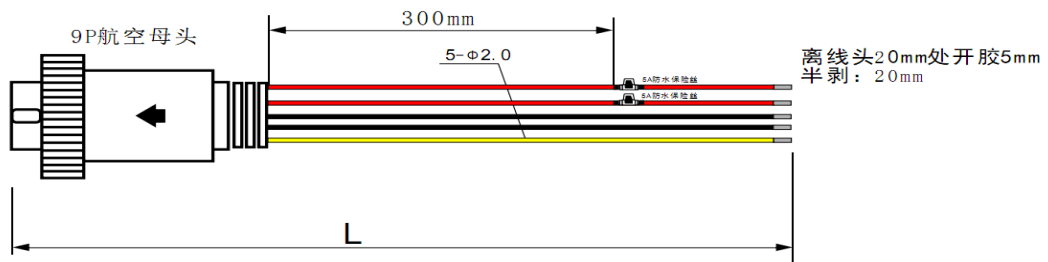
③ Wi-Fi Connector

④ GPS Connector



## 4.1 Power

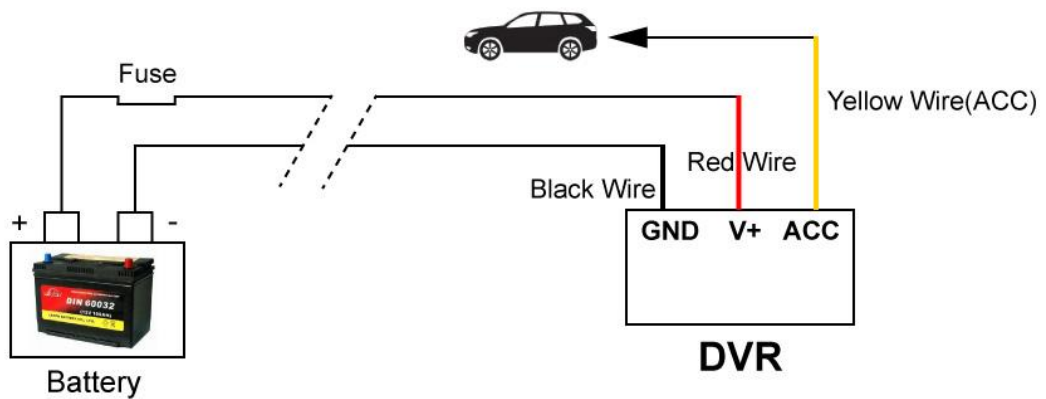
- power input



9 PIN Avation female connect to 9 PIN Avation male on the DVR

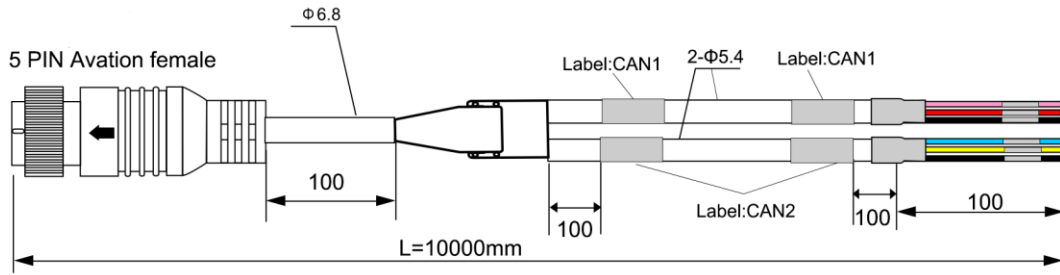
- Connection

Connect ignition wire to yellow ACC wire of DVR, battery Positive to V+(Red wire), Negative to GND(black wire)



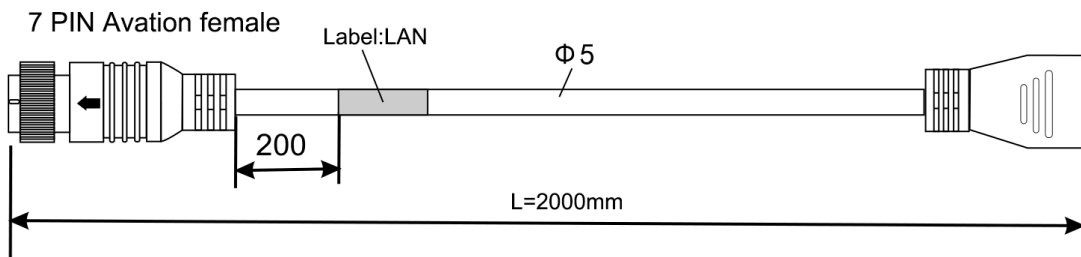
## 4.2 CAN BUS

There are two ports(CAN1&CAN2) for communication



5 PIN Avation female connect to 5 PIN Avation male on the DVR

## 4.3 LAN



7 PIN Avation female connect to 7 PIN Avation male on the DVR

## 4.4 Four-in-one antenna(GPS-3G-4G-WIFI)

