

RADIO TEST REPORT

FCC ID: 2ATVW-RCW-2000

Product : Wireless Gateway

Trade Mark : Elitech

Model Name : RCW-2000

Family Model : N/A

Report No. : S19062103803002

Prepared for

Elitech Technology, Inc.

1551 McCarthy Blvd, Suite 112, Milpitas, CA 95035, USA

Prepared by

Shenzhen NTEK Testing Technology Co., Ltd.

1/F, Building E, Fenda Science Park, Sanwei Community, Xixiang Street
Bao'an District, Shenzhen 518126 P.R. China

Tel.: +86-755-6115 6588 Fax.: +86-755-6115 6599

Website: <http://www.ntek.org.cn>

TEST RESULT CERTIFICATION

Applicant's name : Elitech Technology, Inc.
Address : 1551 McCarthy Blvd, Suite 112, Milpitas, CA 95035, USA
Manufacturer's Name : Jiangsu Jingchuang Electronics Co.,Ltd
Address : No.1 Huangshan Rd. Tongshan Economic Development Zone Xuzhou Jiangsu China

Product description

Product name : Wireless Gateway
Model and/or type reference : RCW-2000
Family Model : N/A
Rating(s) : DC 3.7V/5000 mAh from battery or DC 12V from Adapter

Standards : FCC Part15.249

Test procedure : ANSI C63.10-2013

This device described above has been tested by NTEK, and the test results show that the equipment under test (EUT) is in compliance with the FCC requirements. And it is applicable only to the tested sample identified in the report.

This report shall not be reproduced except in full, without the written approval of NTEK, this document may be altered or revised by NTEK, personnel only, and shall be noted in the revision of the document.

Date of Test :
Date (s) of performance of tests : 24 Jun. 2019 ~ 30 Jul, 2019
Date of Issue : 05 Aug. 2019
Test Result : Pass

Testing Engineer : [Signature: Allen Liu]
(Allen Liu)

Technical Manager : [Signature: Jason Chen]
(Jason Chen)

Authorized Signatory : [Signature: Sam Chen]
(Sam Chen)

Table of Contents

Page

1 . SUMMARY OF TEST RESULTS	4
1.1 TEST FACILITY	5
1.2 MEASUREMENT UNCERTAINTY	5
2 . GENERAL INFORMATION	6
2.1 GENERAL DESCRIPTION OF EUT	6
2.2 DESCRIPTION OF TEST MODES	8
2.3 BLOCK DIGRAM SHOWING THE CONFIGURATION OF SYSTEM TESTED	9
2.4 DESCRIPTION OF SUPPORT UNITS(CONDUCTED MODE)	10
2.5 EQUIPMENTS LIST FOR ALL TEST ITEMS	11
3 . ANTENNA REQUIREMENT	13
3.1 STANDARD REQUIREMENT	13
3.2 EUT ANTENNA	13
3.3 CONDUCTED EMISSION MEASUREMENT	14
3.3.1 POWER LINE CONDUCTED EMISSION LIMITS	14
3.3.2 TEST PROCEDURE	15
3.3.3 DEVIATION FROM TEST STANDARD	15
3.3.4 TEST SETUP	15
3.2.5 TEST RESULT	16
3.4 RADIATED EMISSION MEASUREMENT	20
3.4.1 RADIATED EMISSION LIMITS	20
3.4.2 TEST PROCEDURE	21
3.4.3 DEVIATION FROM TEST STANDARD	21
3.4.4 TEST RESULTS (BELOW 30MHZ)	24
3.4.5 TEST RESULTS (BELOW 1000 MHZ)	25
3.4.6 TEST RESULTS (ABOVE 1000 MHZ)	27
3.4.7 TEST RESULTS (RESTRICTED BANDS REQUIREMENTS)	29
4 . FREQUENCY TOLERANCE	31
4.1 FREQUENCY TOLERANCE LIMITS	31
4.2TEST PROCEDURE	31
4.3 TEST SETUP	31
4.4 TEST RESULTS	31
5. BANDWIDTH TEST	32
5.1 TEST PROCEDURE	32
5.1 DEVIATION FROM STANDARD	32
5.1 TEST SETUP	32
6. TEST RESULTS	33

1. SUMMARY OF TEST RESULTS

Test procedures according to the technical standards:

FCC Part15, Subpart C (15.249)			
Standard Section	Test Item	Judgment	Remark
15.207	Conducted Emission	Pass	
15.203	Antenna Requirement	Pass	
15.249 15.209	Radiated Spurious Emission	Pass	
15.249(2)	Frequency Tolerance	Pass	
15.249(a)	Fundamental Measurement	Pass	
15.205	Band Edge Emission	Pass	
15.215	Occupied Bandwidth	Pass	

1.1 TEST FACILITY

Shenzhen NTEK Testing Technology Co., Ltd
 Add. : 1/F, Building E, Fenda Science Park, Sanwei Community, Xixiang Street, Bao'an District, Shenzhen 518126 P.R. China.
 FCC FRN Registration No.:463705; IC Registration No.:9270A-1
 CNAS Registration No.:L5516

1.2 MEASUREMENT UNCERTAINTY

The reported uncertainty of measurement $y \pm U$, where expanded uncertainty U is based on a standard uncertainty multiplied by a coverage factor of $k=2$, providing a level of confidence of approximately 95%.

No.	Item	Uncertainty
1	Conducted Emission Test	$\pm 1.38\text{dB}$
2	RF power,conducted	$\pm 0.16\text{dB}$
3	Spurious emissions,conducted	$\pm 0.21\text{dB}$
4	All emissions,radiated(<1G)	$\pm 4.68\text{dB}$
5	All emissions,radiated(>1G)	$\pm 4.89\text{dB}$
6	Temperature	$\pm 0.5^\circ\text{C}$
7	Humidity	$\pm 2\%$

2. GENERAL INFORMATION

2.1 GENERAL DESCRIPTION OF EUT

Equipment	Wireless Gateway
Trade Mark	Elitech
Model Name	RCW-2000
Family Model	N/A
Model Difference	N/A
Product Description	The EUT is a Wireless Gateway
	Operation Frequency: 920.1MHz
	Modulation Type: GFSK
	Antenna Designation: External Antenna
	Antenna Gain(Peak) 3dBi
Based on the application, features, or specification exhibited in User's Manual. More details of EUT technical specification, please refer to the User's Manual.	
Channel List	Please refer to the Note 2.
Adapter	Model: AK36GN-1200250V Input: 100-240V~50/60Hz 1.0A Output: 12V---2.5A
Battery	DC 3.7V, 5000mAh
Hardware version	GCLM23JCV1-915M 20181102
Software version	GCLM23_920_60_190409

Note:

1. For a more detailed features description, please refer to the manufacturer's specifications or the User's Manual.

2.

Channel	Frequency(MHz)
01	920.1

3.

Table for Filed Antenna

Ant.	Brand	Model Name	Antenna Type	Connector	Gain (dBi)	NOTE
1	N/A	N/A	External Antenna	N/A	3	Antenna

Note:The device does not support simultaneous transmission

2.2 DESCRIPTION OF TEST MODES

To investigate the maximum EMI emission characteristics generates from EUT, the test system was pre-scanning tested base on the consideration of following EUT operation mode or test configuration mode which possible have effect on EMI emission level. Each of these EUT operation mode(s) or test configuration mode(s) mentioned above was evaluated respectively.

Pretest Mode	Description
Mode 1	CH01
Mode 2	Normal link

For Radiated Spurious Emission	
Pretest Mode	Description
Mode 1	CH01

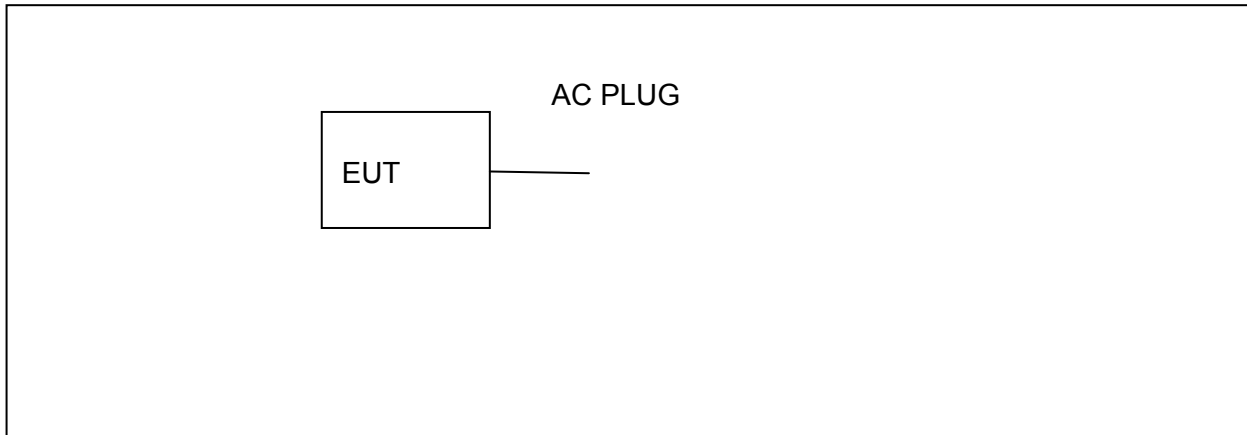
For Conducted Emission	
Final Test Mode	Description
Mode 1	CH01
Mode 2	Normal link

Note:

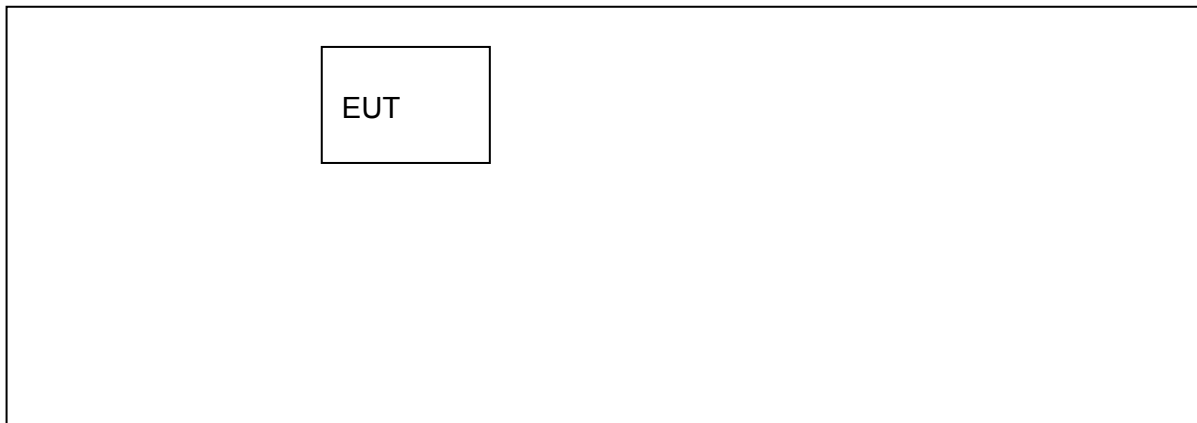
- (1) The measurements are performed at the highest, middle, lowest available channels.

2.3 BLOCK DIGRAM SHOWING THE CONFIGURATION OF SYSTEM TESTED

Conducted Emission Mode



Radiated Spurious Emission Test



2.4 DESCRIPTION OF SUPPORT UNITS(CONDUCTED MODE)

The EUT has been tested as an independent unit together with other necessary accessories or support units. The following support units or accessories were used to form a representative test configuration during the tests.

Item	Equipment	Mfr/Brand	Model/Type No.	Series No.	Note

Item	Cable Type	Shielded Type	Ferrite Core	Length	Note

Note:

- (1) The support equipment was authorized by Declaration of Confirmation.
- (2) For detachable type I/O cable should be specified the length in cm in 『Length』 column.

2.5 EQUIPMENTS LIST FOR ALL TEST ITEMS

Radiation Test equipment

Item	Kind of Equipment	Manufacturer	Type No.	Serial No.	Last calibration	Calibrated until	Calibration period
1	Spectrum Analyzer	Agilent	E4407B	MY45108040	2019.05.13	2020.05.12	1 year
2	Spectrum Analyzer	Agilent	N9020A	MY49100060	2018.10.08	2019.10.07	1 year
3	EMI Test Receiver	Agilent	N9038A	MY53227146	2018.10.08	2019.10.07	1 year
4	Test Receiver	R&S	ESPI	101318	2019.05.13	2020.05.12	1 year
5	Bilog Antenna	TESEQ	CBL6111D	31216	2019.04.15	2020.04.14	1 year
6	50Ω Coaxial Switch	Anritsu	MP59B	6200983705	2018.05.19	2020.05.18	2 year
7	Horn Antenna	EM	EM-AH-10180	2011071402	2019.04.15	2020.04.14	1 year
8	Horn Ant	Schwarzbeck	BBHA 9170	9170-181	2018.12.11	2019.12.10	1 year
9	Amplifier	EMC	EMC051835SE	980246	2018.08.05	2019.08.04	1 year
10	Amplifier	MITEQ	TTA1840-35-HG	177156	2018.12.11	2019.12.10	1 year
11	Loop Antenna	ARA	PLA-1030/B	1029	2018.08.05	2019.08.04	1 year
12	Power Meter	DARE	RPR3006W	15100041SN084	2017.04.21	2020.04.20	1 year
13	Test Cable (9KHz-30MHz)	N/A	R-01	N/A	2017.04.21	2020.04.20	3 year
14	Test Cable (30MHz-1GHz)	N/A	R-02	N/A	2017.04.21	2020.04.20	3 year
15	High Test Cable(1G-40G Hz)	N/A	R-03	N/A	2017.04.21	2020.04.20	3 year
16	High Test Cable(1G-40G Hz)	N/A	R-04	N/A	2017.04.19	2020.04.18	3 year
17	temporary antenna connector (Note)	NTS	R001	N/A	N/A	N/A	N/A

Note:

We will use the temporary antenna connector (soldered on the PCB board) When conducted test
And this temporary antenna connector is listed within the instrument list

Conduction Test equipment

Item	Kind of Equipment	Manufacturer	Type No.	Serial No.	Last calibration	Calibrated until	Calibration period
1	Test Receiver	R&S	ESCI	101160	2019.05.13	2020.05.12	1 year
2	LISN	R&S	ENV216	101313	2019.04.15	2020.04.14	1 year
3	LISN	SCHWARZBECK	NNLK 8129	8129245	2019.05.13	2020.05.12	1 year
4	50Ω Coaxial Switch	ANRITSU CORP	MP59B	6200983704	2018.05.19	2020.05.18	2 year
5	Test Cable (9KHz-30MHz)	N/A	C01	N/A	2017.04.21	2020.04.20	3 year
6	Test Cable (9KHz-30MHz)	N/A	C02	N/A	2017.04.21	2020.04.20	3 year
7	Test Cable (9KHz-30MHz)	N/A	C03	N/A	2017.04.21	2020.04.20	3 year

Note: Each piece of equipment is scheduled for calibration once a year except the Test Cable which is scheduled for calibration every 3 years.

3. ANTENNA REQUIREMENT

3.1 STANDARD REQUIREMENT

15.203 requirement: For intentional device, according to 15.203: an intentional radiator shall be designed to ensure that no antenna other than that furnished by the responsible party shall be used with the device.

3.2 EUT ANTENNA

The EUT antenna is permanent attached Reverse SMA Adapter whip antenna(Gain:3.0dBi). It comply with the standard requirement.

3.3 CONDUCTED EMISSION MEASUREMENT

3.3.1 POWER LINE CONDUCTED EMISSION Limits (Frequency Range 150KHz-30MHz)

FREQUENCY (MHz)	Class A (dBuV)		Class B (dBuV)		Standard
	Quasi-peak	Average	Quasi-peak	Average	
0.15 -0.5			66 - 56 *	56 - 46 *	CISPR
0.50 -5.0			56.00	46.00	CISPR
5.0 -30.0			60.00	50.00	CISPR

0.15 -0.5			66 - 56 *	56 - 46 *	LP002.
0.50 -5.0			56.00	46.00	LP002.
5.0 -30.0			60.00	50.00	LP002.

Note:

- (1) The tighter limit applies at the band edges.
- (2) The limit of " * " marked band means the limitation decreases linearly with the logarithm of the frequency in the range.

The following table is the setting of the receiver

Receiver Parameters	Setting
Attenuation	10 dB
Start Frequency	0.15 MHz
Stop Frequency	30 MHz
IF Bandwidth	9 kHz

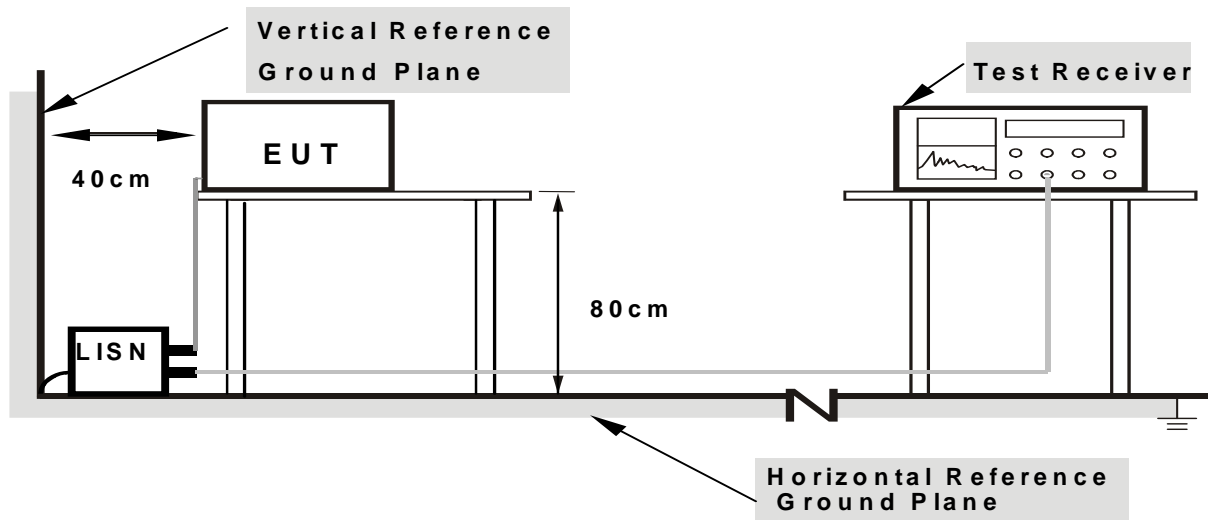
3.3.2 TEST PROCEDURE

- a. The EUT was placed 0.4 meters from the horizontal ground plane with EUT being connected to the power mains through a line impedance stabilization network (LISN). All other support equipments powered from additional LISN(s). The LISN provide 50 Ohm/ 50uH of coupling impedance for the measuring instrument.
- b. Interconnecting cables that hang closer than 40 cm to the ground plane shall be folded back and forth in the center forming a bundle 30 to 40 cm long.
- c. I/O cables that are not connected to a peripheral shall be bundled in the center. The end of the cable may be terminated, if required, using the correct terminating impedance. The overall length shall not exceed 1 m.
- d. LISN at least 80 cm from nearest part of EUT chassis.
- e. For the actual test configuration, please refer to the related Item –EUT Test Photos.

3.3.3 DEVIATION FROM TEST STANDARD

No deviation

3.3.4 TEST SETUP



- Note:**
- 1. Support units were connected to second LISN.
 - 2. Both of LISNs (AMN) are 80 cm from EUT and at least 80 from other units and other metal planes

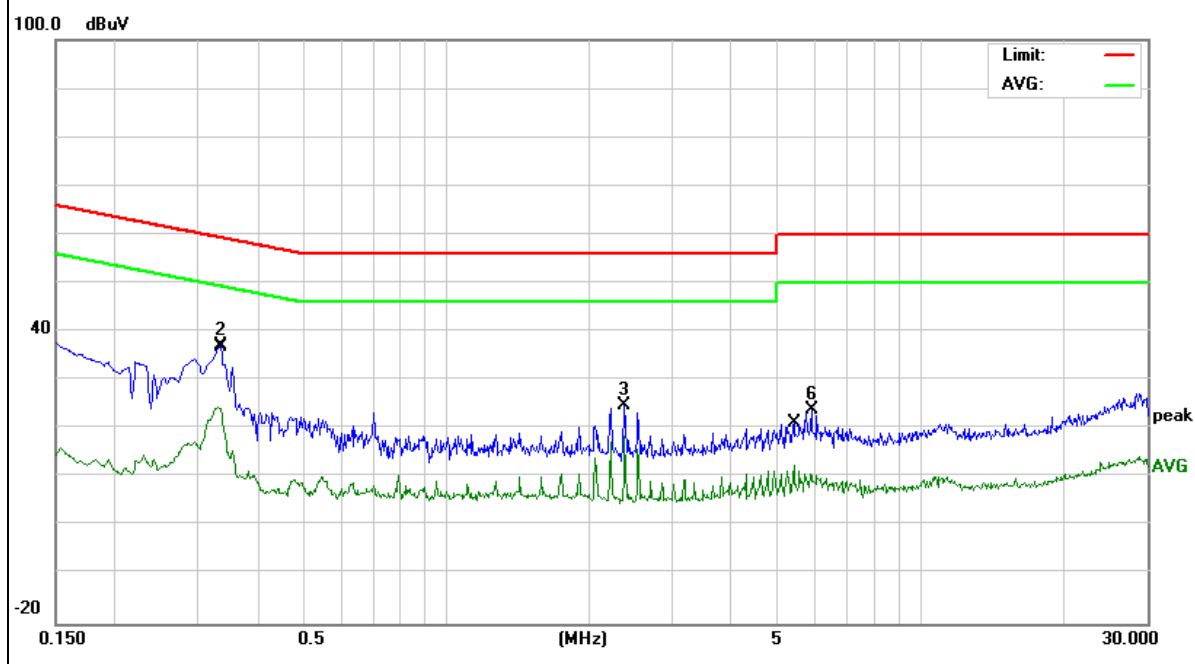
3.2.5 TEST RESULT

EUT :	Wireless Gateway	Model Name. :	RCW-2000
Temperature :	25 °C	Relative Humidity :	55%
Pressure :	1010hPa	Phase :	L
Test Voltage :	DC 12V from adapter AC 120V/60Hz	Test Mode :	Mode 2

Frequency (MHz)	Reading Level (dBμV)	Correct Factor (dB)	Measurement (dBμV)	Limits (dBμV)	Margin (dB)	Remark
0.3300	14.68	9.73	24.41	49.45	-25.04	AVG
0.3339	27.36	9.73	37.09	59.35	-22.26	QP
2.3780	15.17	9.79	24.96	56.00	-31.04	QP
2.3780	8.62	9.79	18.41	46.00	-27.59	AVG
5.3900	2.81	9.87	12.68	50.00	-37.32	AVG
5.8700	13.96	9.88	23.84	60.00	-36.16	QP

Remark:

1. All readings are Quasi-Peak and Average values.
2. Factor = Insertion Loss + Cable Loss.

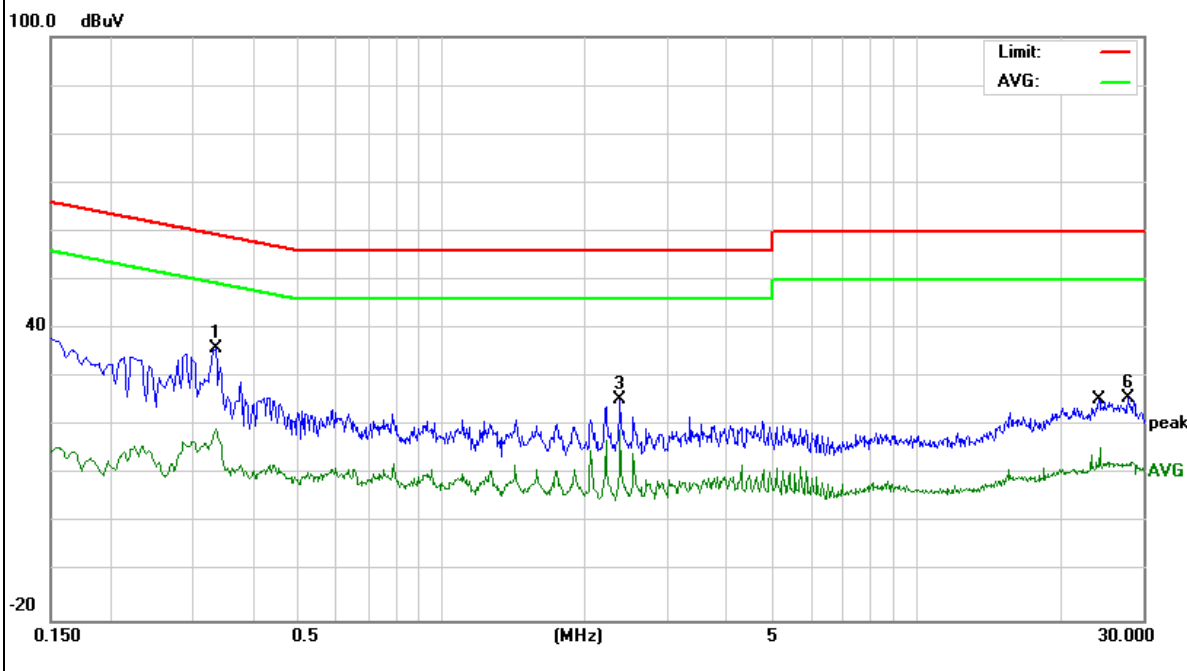


EUT :	Wireless Gateway	Model Name. :	RCW-2000
Temperature :	25 °C	Relative Humidity :	55%
Pressure :	1010hPa	Phase :	N
Test Voltage :	DC 12V from adapter AC 120V/60Hz	Test Mode :	Mode 2

Frequency (MHz)	Reading Level (dBμV)	Correct Factor (dB)	Measure-ment (dBμV)	Limits (dBμV)	Margin (dB)	Remark
0.3339	26.23	9.74	35.97	59.35	-23.38	QP
0.3339	9.67	9.74	19.41	49.35	-29.94	AVG
2.3780	15.72	9.81	25.53	56.00	-30.47	QP
2.3780	9.21	9.81	19.02	46.00	-26.98	AVG
24.2900	5.07	10.60	15.67	50.00	-34.33	AVG
27.8860	15.27	10.52	25.79	60.00	-34.21	QP

Remark:

1. All readings are Quasi-Peak and Average values.
2. Factor = Insertion Loss + Cable Loss.

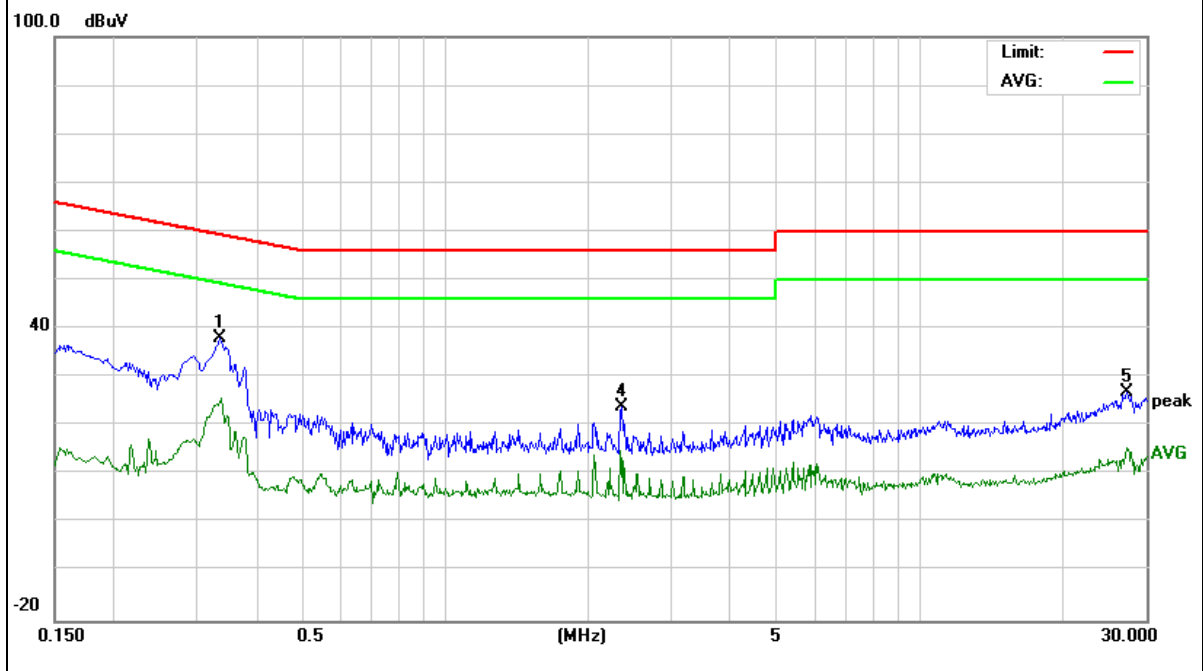


EUT :	Wireless Gateway	Model Name. :	RCW-2000
Temperature :	25 °C	Relative Humidity :	55%
Pressure :	1010hPa	Phase :	L
Test Voltage :	DC 12V from adapter AC 240V/60Hz	Test Mode :	Mode 2

Frequency (MHz)	Reading Level (dBμV)	Correct Factor (dB)	Measure-ment (dBμV)	Limits (dBμV)	Margin (dB)	Remark
0.3340	28.27	9.73	38.00	59.35	-21.35	QP
0.3380	15.92	9.73	25.65	49.25	-23.60	AVG
2.3380	5.10	9.79	14.89	46.00	-31.11	AVG
2.3540	14.11	9.79	23.90	56.00	-32.10	QP
27.3619	16.42	10.58	27.00	60.00	-33.00	QP
27.3619	5.06	10.58	15.64	50.00	-34.36	AVG

Remark:

1. All readings are Quasi-Peak and Average values.
2. Factor = Insertion Loss + Cable Loss.

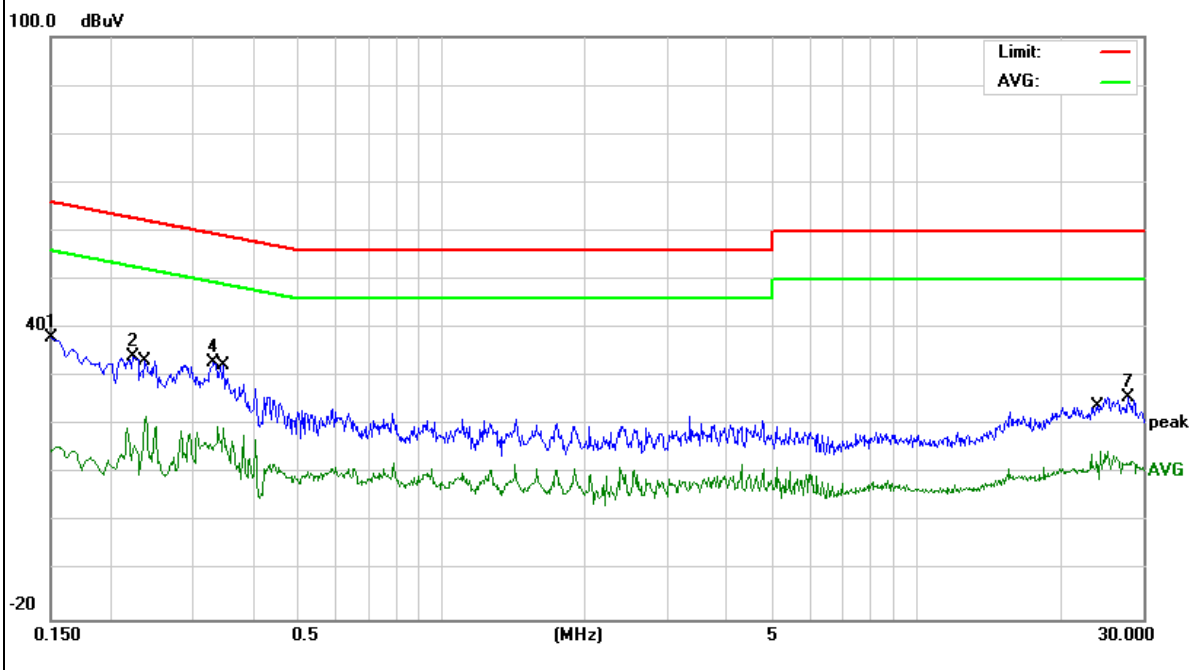


EUT :	Wireless Gateway	Model Name. :	RCW-2000
Temperature :	25 °C	Relative Humidity :	55%
Pressure :	1010hPa	Phase :	N
Test Voltage :	DC 12V from adapter AC 240V/60Hz	Test Mode :	Mode 2

Frequency (MHz)	Reading Level (dBμV)	Correct Factor (dB)	Measure-ment (dBμV)	Limits (dBμV)	Margin (dB)	Remark
0.1499	28.45	9.74	38.19	66.00	-27.81	QP
0.2230	24.34	9.73	34.07	62.70	-28.63	QP
0.2379	12.19	9.74	21.93	52.17	-30.24	AVG
0.3302	23.36	9.74	33.10	59.44	-26.34	QP
0.3463	9.78	9.74	19.52	49.05	-29.53	AVG
24.2899	3.96	10.60	14.56	50.00	-35.44	AVG
27.8859	15.27	10.52	25.79	60.00	-34.21	QP

Remark:

1. All readings are Quasi-Peak and Average values.
2. Factor = Insertion Loss + Cable Loss.



3.4 RADIATED EMISSION MEASUREMENT

3.4.1 Radiated Emission Limits (FCC 15.209)

Frequencies (MHz)	Field Strength (micorvolts/meter)	Measurement Distance (meters)
0.009~0.490	2400/F(KHz)	300
0.490~1.705	24000/F(KHz)	30
1.705~30.0	30	30
Frequency (MHz)	Limit (dBuV)	
30~88	40	3
88~216	43.5	3
216~960	46	3
960 -10000	54.00	3
*902 - 928	94.00	3

Note:

- (1) The tighter limit applies at the band edges.
- (2) Emission level (dBuV/m)=20log Emission level (uV/m).
- (3) *Note: This is the limit for the fundamental frequency.

LIMITS OF RADIATED EMISSION MEASUREMENT (FCC 15.249)

Frequency of Emission (MHz)	Field Strength of fundamental ((millivolts /meter)	Field Strength of Harmonics (microvolts/meter)
902-928	50	500

Notes:

- (1) Emissions radiated outside of the specified frequency bands, except for harmonics, shall be attenuated by at least 50 dB below the level of the fundamental or to the general radiated emission limits in Section 15.209, whichever is the lesser attenuation.

Spectrum Parameter	Setting
Attenuation	Auto
Start Frequency	1000 MHz
Stop Frequency	10th carrier harmonic
RB / VB (emission in restricted band)	1MHz / 1MHz for Peak

Receiver Parameter	Setting
Attenuation	Auto
Start ~ Stop Frequency	9kHz~150kHz / RB 200Hz for QP
Start ~ Stop Frequency	150kHz~30MHz / RB 9kHz for QP
Start ~ Stop Frequency	30MHz~1000MHz / RB 120kHz for QP

3.4.2 TEST PROCEDURE

- a. The measuring distance of at 3 m shall be used for measurements at frequency up to 1GHz. For frequencies above 1GHz, any suitable measuring distance may be used.
- b. The EUT was placed on the top of a rotating table 0.8 m for below 1GHz and 1.5m for above 1GHz the ground at a 3 meter. The table was rotated 360 degrees to determine the position of the highest radiation.
- c. The height of the equipment or of the substitution antenna shall be 0.8 m for below 1GHz and 1.5m for above 1GHz; the height of the test antenna shall vary between 1 m to 4 m. Both horizontal and vertical polarizations of the antenna are set to make the measurement.
- d. The initial step in collecting conducted emission data is a spectrum analyzer peak detector mode pre-scanning the measurement frequency range. Significant peaks are then marked and then Quasi Peak detector mode re-measured.
- e. If the Peak Mode measured value compliance with and lower than Quasi Peak Mode Limit, the EUT shall be deemed to meet QP Limits and then no additional QP Mode measurement performed.
- f. For the actual test configuration, please refer to the related Item –EUT Test Photos.

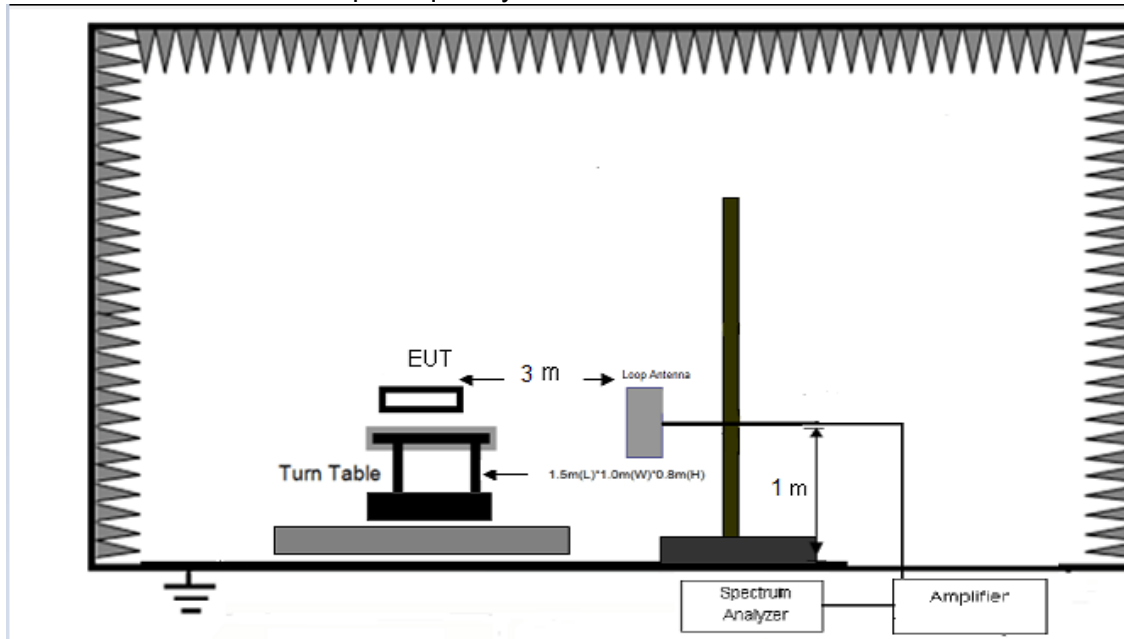
Note:

Both horizontal and vertical antenna polarities were tested and performed pretest to three orthogonal axis. The worst case emissions were reported

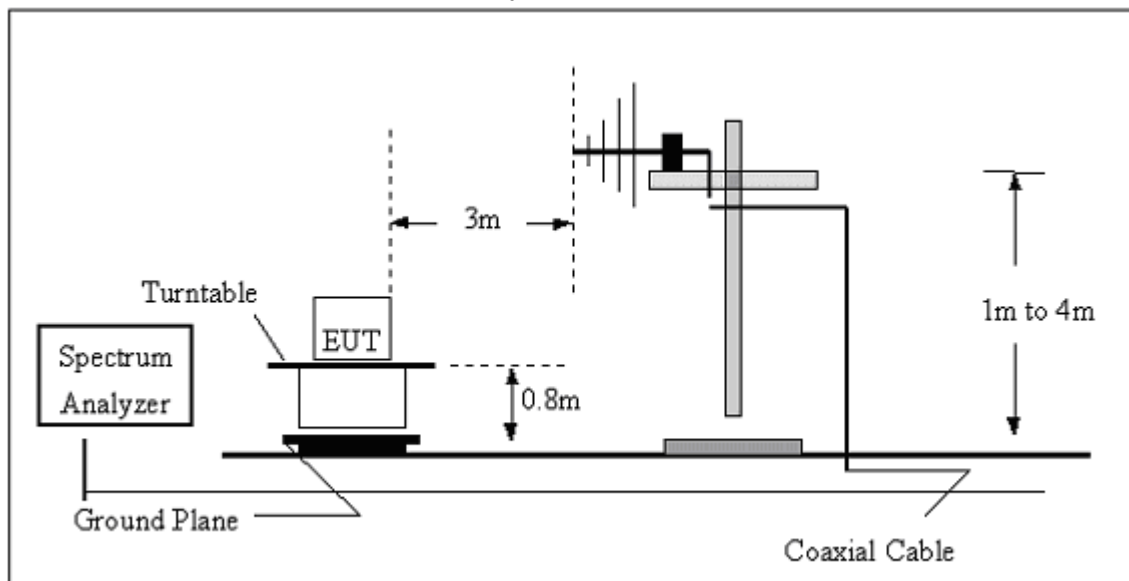
3.4.3 DEVIATION FROM TEST STANDARD

No deviation

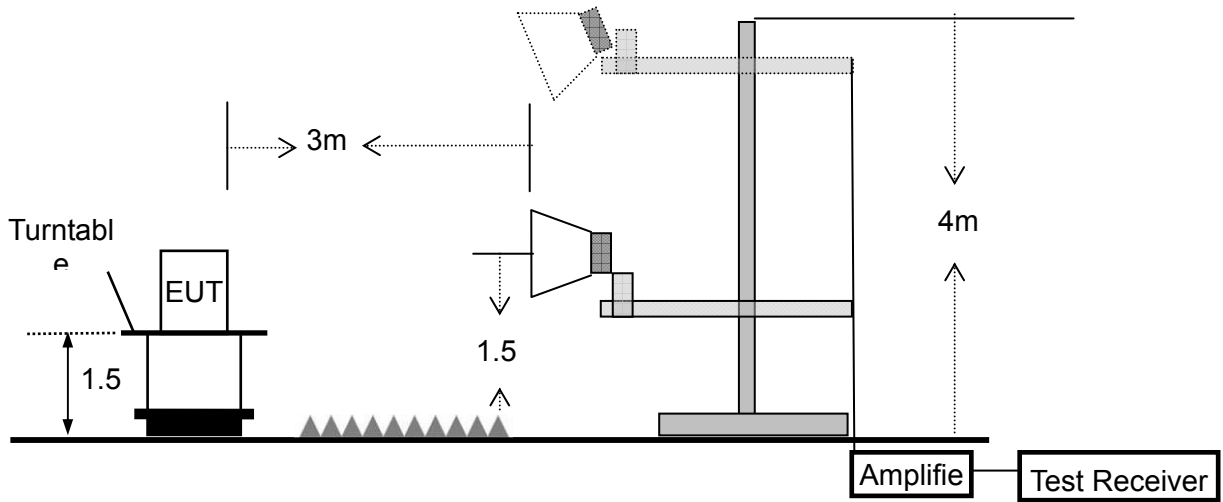
(A) Radiated Emission Test-Up Frequency Below 30MHz



(B) Radiated Emission Test-Up Frequency 30MHz~1GHz



(C) Radiated Emission Test-Up Frequency Above 1GHz



3.4.4 TEST RESULTS (BELOW 30MHz)

EUT :	Wireless Gateway	Model Name. :	RCW-2000
Temperature :	20 °C	Relative Humidity :	48%
Pressure :	1010 hPa	Test Voltage :	DC 3.7V from battery
Test Mode :	TX	Polarization :	--

Freq.	Reading	Limit	Margin	State
(MHz)	(dBuV/m)	(dBuV/m)	(dB)	P/F
--	--	--	--	PASS
--	--	--	--	PASS

NOTE:

The amplitude of spurious emissions which are attenuated by more than 20dB below the permissible value has no need to be reported.

Distance extrapolation factor = $20 \log(\text{specific distance}/\text{test distance})$ (dB);

Limit line = specific limits(dBuv) + distance extrapolation factor.

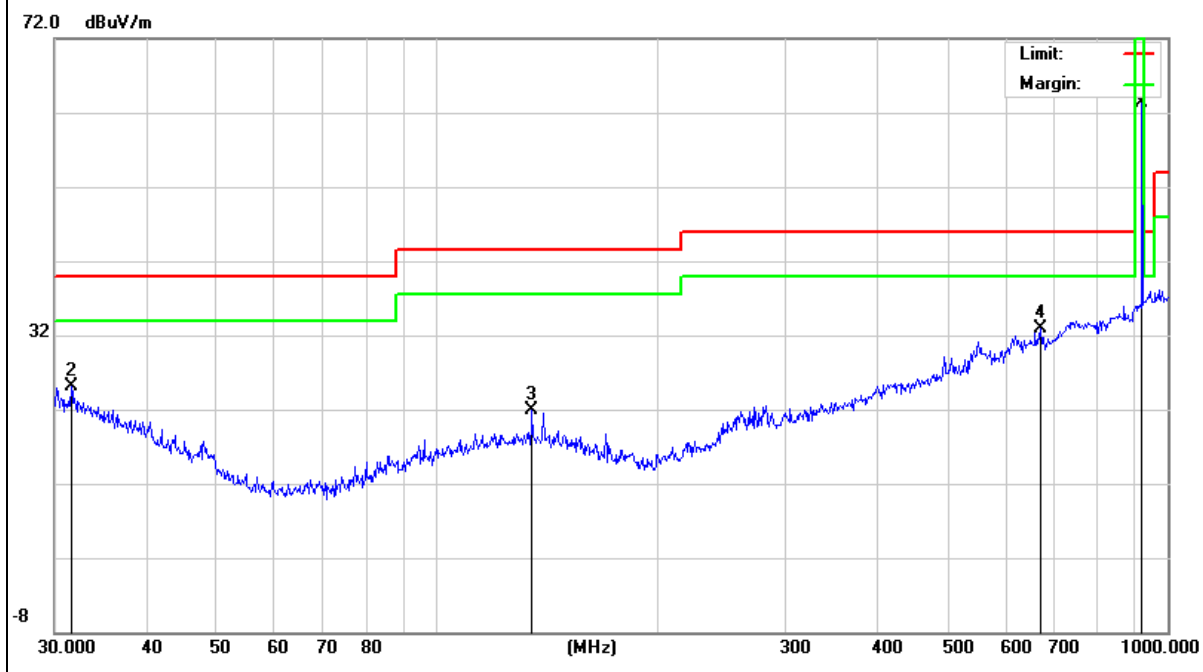
3.4.5 TEST RESULTS (BELOW 1000 MHz)

EUT :	Wireless Gateway	Model Name :	RCW-2000
Temperature :	25 °C	Relative Humidity :	51%
Pressure :	1010 hPa	Test Voltage :	DC 3.7V from battery
Test Mode :	Mode 1	Polarization :	Vertical

Frequency (MHz)	Meter Reading (dBμV)	Factor (dB)	Emission Level (dBμV/m)	Limits (dBμV/m)	Margin (dB)	Detector Type
922.5157	33.09	30.15	63.24	114.00	-50.76	QP
31.6202	6.78	18.32	25.10	40.00	-14.90	QP
135.0319	8.60	13.38	21.98	43.50	-21.52	QP
670.4891	7.80	25.05	32.85	46.00	-13.15	QP

Remark:

- Factor = Antenna Factor + Cable Loss – Pre-amplifier.

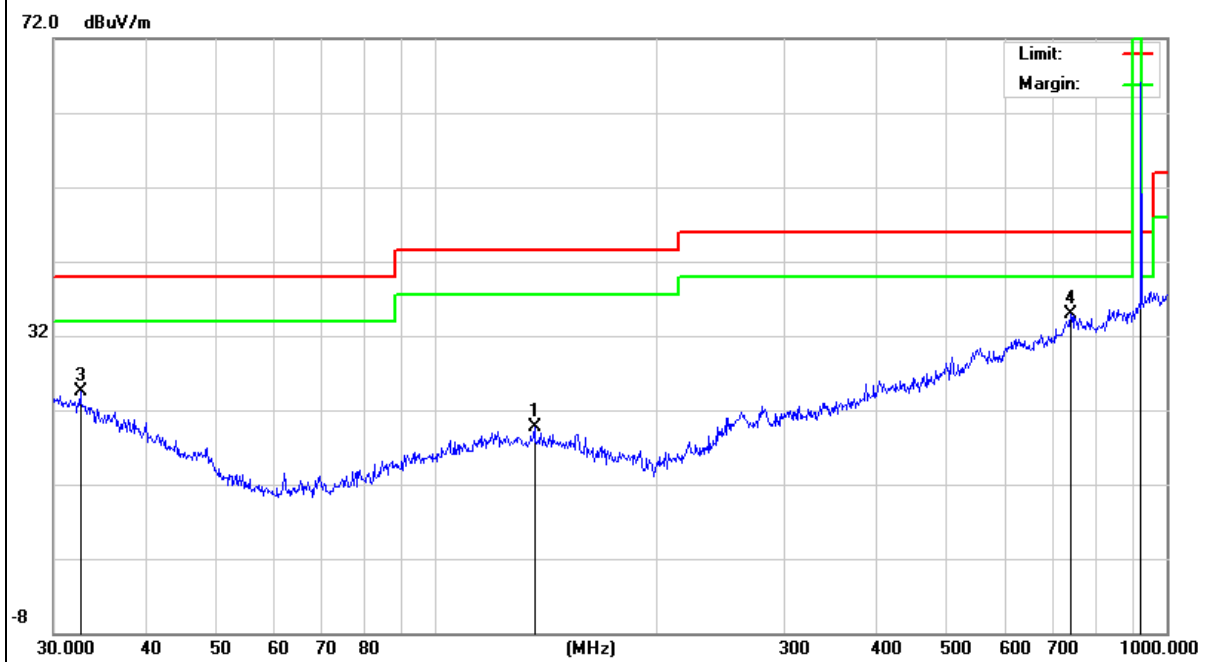


EUT :	Wireless Gateway	Model Name :	RCW-2000
Temperature :	25 °C	Relative Humidity :	51%
Pressure :	1010 hPa	Test Voltage :	DC 3.7V from battery
Test Mode :	Mode 1	Polarization :	Horizontal

Frequency (MHz)	Meter Reading (dBμV)	Factor (dB)	Emission Level (dBμV/m)	Limits (dBμV/m)	Margin (dB)	Detector Type
136.4598	6.29	13.36	19.65	43.50	-23.85	QP
922.5157	35.97	30.15	66.12	114.00	-47.88	QP
32.6340	6.67	17.85	24.52	40.00	-15.48	QP
739.6604	7.33	27.61	34.94	46.00	-11.06	QP

Remark:

1. Factor = Antenna Factor + Cable Loss – Pre-amplifier.

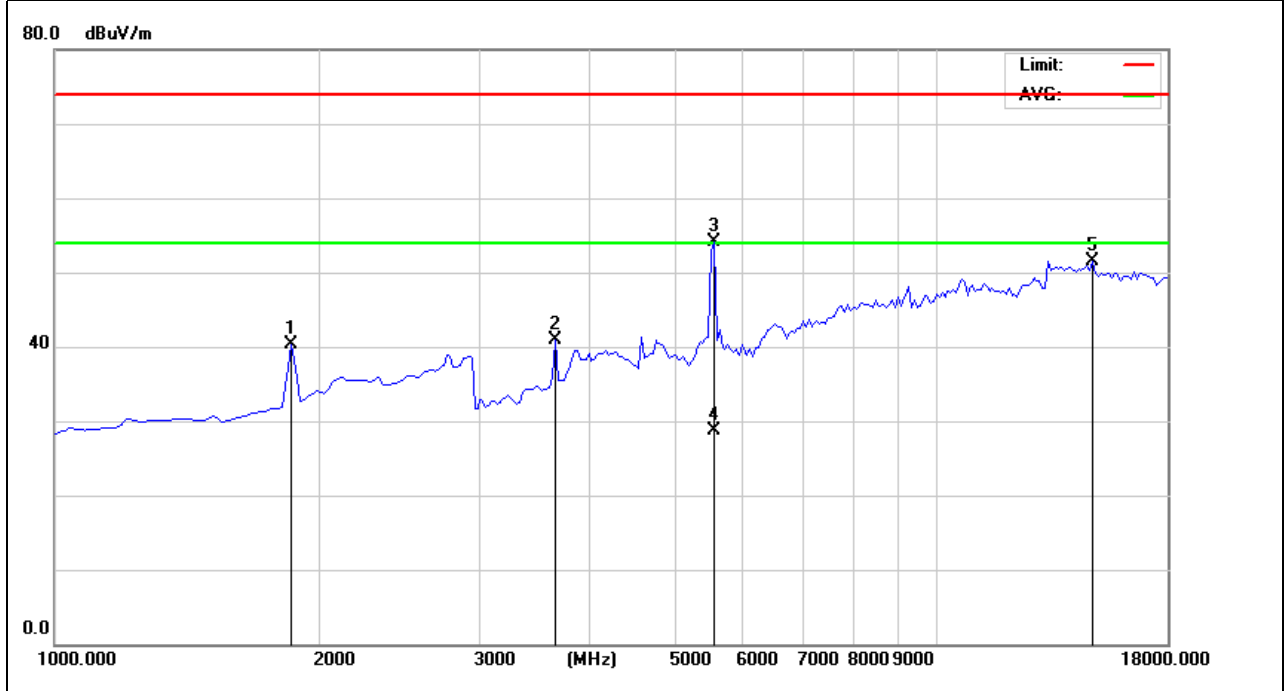


3.4.6 TEST RESULTS (ABOVE 1000 MHZ)

EUT :	Wireless Gateway	Model Name :	RCW-2000
Temperature :	25 °C	Relative Humidity :	51%
Pressure :	1010 hPa	Test Voltage :	DC 3.7V from battery
Test Mode :	Mode 1	Polarization :	Horizontal

Frequency (MHz)	Meter Reading (dBμV)	Factor (dB)	Emission Level (dBμV/m)	Limits (dBμV/m)	Margin (dB)	Detector Type
1850.000	47.22	-6.83	40.39	74.00	-33.61	peak
3677.500	39.58	1.30	40.88	74.00	-33.12	peak
5547.500	46.82	7.30	54.12	74.00	-19.88	peak
5547.500	21.42	7.30	28.72	54.00	-25.28	AVG
14897.500	-9.48	60.95	51.47	74.00	-22.53	peak

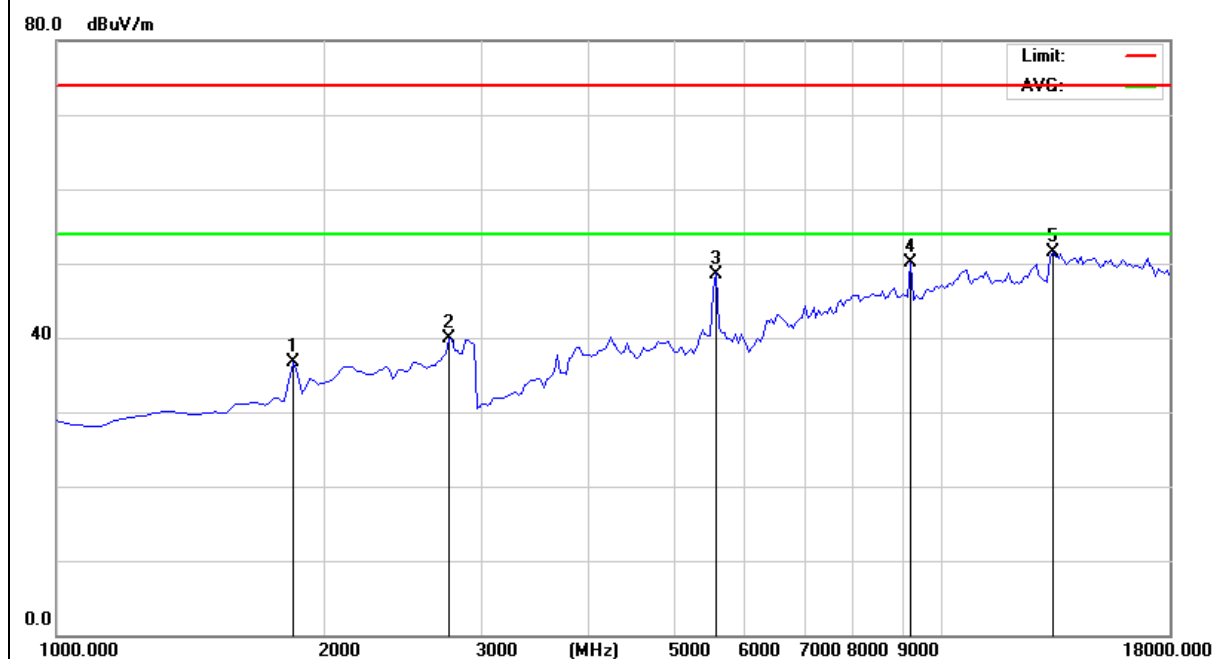
Remark:
Factor = Antenna Factor + Cable Loss – Pre-amplifier.
No emission above 18GHz.



EUT :	Wireless Gateway	Model Name :	RCW-2000
Temperature :	25 °C	Relative Humidity :	51%
Pressure :	1010 hPa	Test Voltage :	DC 3.7V from battery
Test Mode :	Mode 1	Polarization :	Vertical

Frequency (MHz)	Meter Reading (dBμV)	Factor (dB)	Emission Level (dBμV/m)	Limits (dBμV/m)	Margin (dB)	Detector Type
1850.000	43.62	-6.83	36.79	74.00	-37.21	peak
2785.000	42.66	-2.80	39.86	74.00	-34.14	peak
5547.500	41.30	7.30	48.60	74.00	-25.40	peak
9202.500	-3.74	53.90	50.16	74.00	-23.84	peak
13367.500	-9.33	60.91	51.58	74.00	-22.42	peak

Remark:
 Factor = Antenna Factor + Cable Loss – Pre-amplifier.
 No emission above 18GHz.



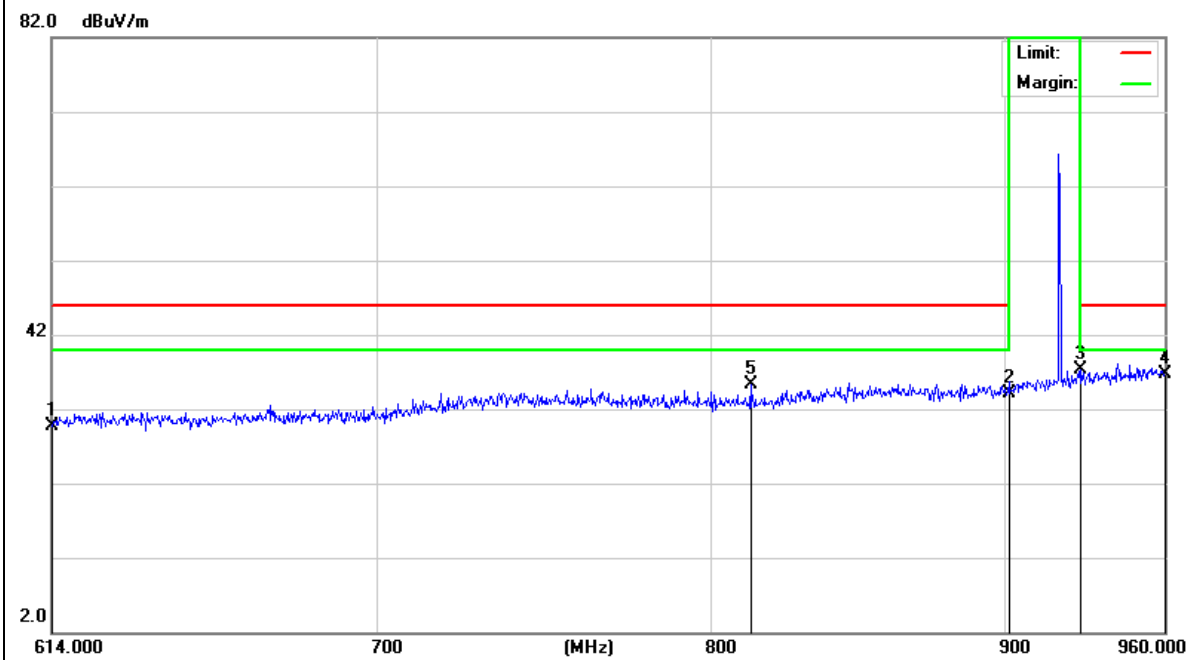
Note: EUT Pre-scan X/Y/Z orientation, only worst case is presented in the report(X orientation).

3.4.7 TEST RESULTS (RESTRICTED BANDS REQUIREMENTS)

EUT :	Wireless Gateway	Model Name :	RCW-2000
Temperature :	25 °C	Relative Humidity :	51%
Pressure :	1010 hPa	Test Voltage :	DC 3.7V from battery
Test Mode :	TX-920.1MHz	Polarization :	Horizontal

Frequency (MHz)	Meter Reading (dBμV)	Factor (dB)	Emission Level (dBμV/m)	Limits (dBμV/m)	Margin (dB)	Detector Type
614.0000	5.17	24.63	29.80	46.00	-16.20	QP
902.0000	5.03	29.04	34.07	46.00	-11.93	QP
928.0000	6.75	30.51	37.26	46.00	-8.74	QP
960.0000	5.47	31.15	36.62	46.00	-9.38	QP
812.9519	7.82	27.43	35.25	46.00	-10.75	QP

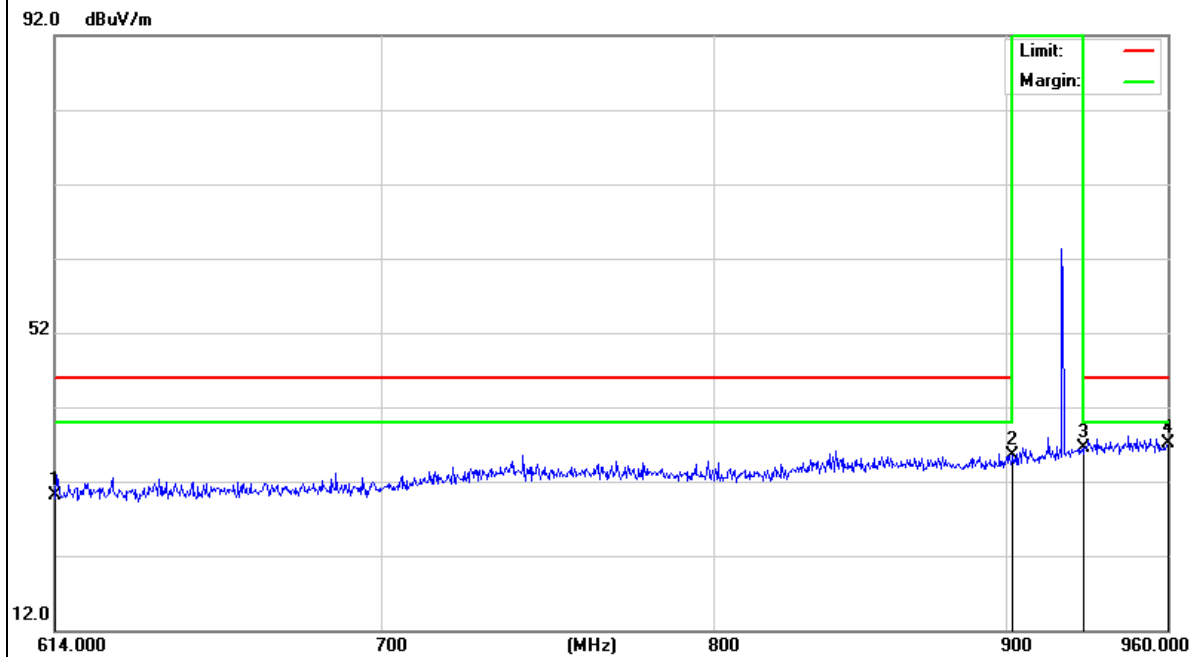
Remark:
Factor = Antenna Factor + Cable Loss – Pre-amplifier.



EUT :	Wireless Gateway	Model Name :	RCW-2000
Temperature :	25 °C	Relative Humidity :	51%
Pressure :	1010 hPa	Test Voltage :	DC 3.7V from battery
Test Mode :	TX-920.1MHz	Polarization :	Vertical

Frequency (MHz)	Meter Reading (dBμV)	Factor (dB)	Emission Level (dBμV/m)	Limits (dBμV/m)	Margin (dB)	Detector Type
614.0000	5.48	24.63	30.11	46.00	-15.89	QP
902.0000	6.37	29.04	35.41	46.00	-10.59	QP
928.0000	5.98	30.51	36.49	46.00	-9.51	QP
960.0000	6.01	31.15	37.16	46.00	-8.84	QP

Remark:
Factor = Antenna Factor + Cable Loss – Pre-amplifier.



4. FREQUENCY TOLERANCE

4.1 FREQUENCY TOLERANCE LIMITS

The frequency tolerance of the carrier signal shall be maintained within $\pm 0.001\%$ of the operating frequency over a temperature variation of -20 degrees to $+50$ degrees C at normal supply voltage, and for a variation in the primary supply voltage from 85% to 115% of the rated supply voltage at a temperature of 20 degrees C.

4.2 TEST PROCEDURE

- a. The EUT was directly connected to the spectrum analyzer and antenna output port as show in the block diagram below,
- b. Spectrum Setting : RBW= 10KHz, VBW \geq RBW, Sweep time = Auto.

4.3 TEST SETUP



4.4 TEST RESULTS

EUT :	Wireless Gateway	Model Name :	RCW-2000
Temperature :	26 °C	Relative Humidity :	53%
Pressure :	1020 hPa	Test Power :	DC 3.7V from battery
Test Mode :	Mode 1		

Voltage (V)	Frequency(MHz)	Reading(MHz)	Frequency Tolerance	LIMIT
3.2	920.1	920.096	-0.00043%	$\pm 0.001\%$
3.7	920.1	920.098	-0.00022%	$\pm 0.001\%$
4.3	920.1	920.095	-0.00054%	$\pm 0.001\%$

Temperature (°C)	Frequency(MHz)	Reading(MHz)	Frequency Tolerance	LIMIT
-20	920.1	920.096	-0.00043%	$\pm 0.001\%$
-10	920.1	920.097	-0.00033%	$\pm 0.001\%$
0	920.1	920.096	-0.00043%	$\pm 0.001\%$
10	920.1	920.096	-0.00043%	$\pm 0.001\%$
20	920.1	920.095	-0.00054%	$\pm 0.001\%$
30	920.1	920.096	-0.00043%	$\pm 0.001\%$
40	920.1	920.096	-0.00043%	$\pm 0.001\%$
50	920.1	920.097	-0.00033%	$\pm 0.001\%$

5. BANDWIDTH TEST

5.1 TEST PROCEDURE

- a. The EUT was directly connected to the spectrum analyzer and antenna output port as show in the block diagram below,
- b. Spectrum Setting : RBW= 100KHz, VBW \geq RBW, Sweep time = Auto.

5.1 DEVIATION FROM STANDARD

No deviation.

5.1 TEST SETUP

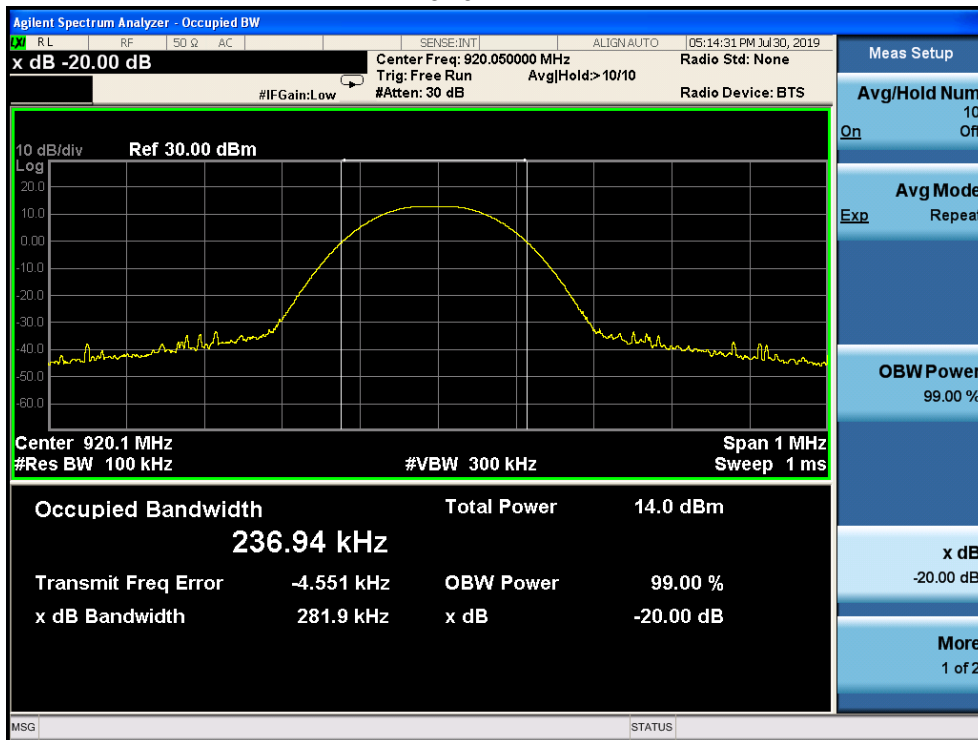


6. TEST RESULTS

EUT :	Wireless Gateway	Model Name :	RCW-2000
Temperature :	26 °C	Relative Humidity :	53%
Pressure :	1020 hPa	Test Power :	DC 3.7V from battery
Test Mode :	Mode 1		

Test Channel	Frequency (MHz)	20 dBc Bandwidth (MHz)
CH01	920.1	0.2819

920.1 MHz



END OF REPORT