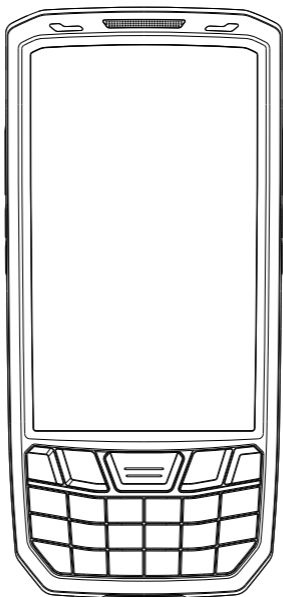
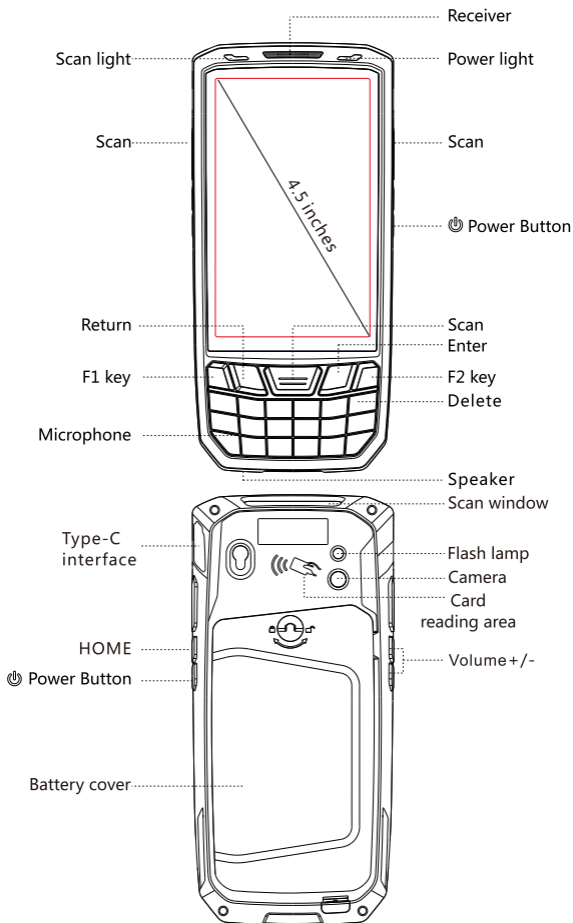


HANDHELD TERMINAL (PDA)



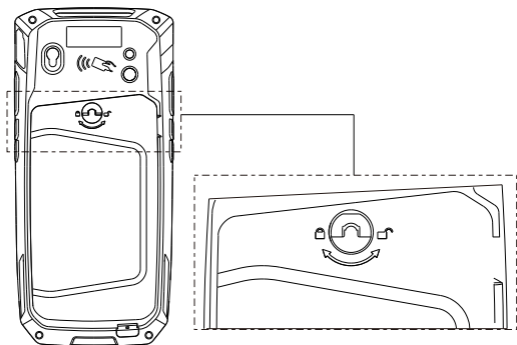
Quick Guide

OVERVIEW

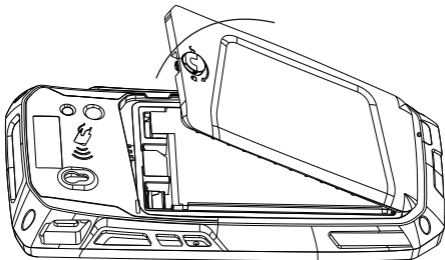


OPEN THE BATTERY COVER

1. First, push the battery cover bayonet to the right to the parallel direction;

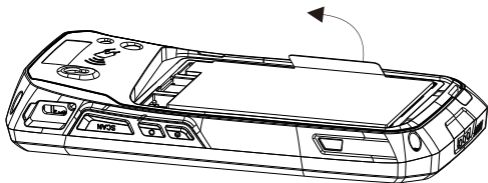


2. Pull out the battery cover by using the hand position between the battery cover and the bottom case.

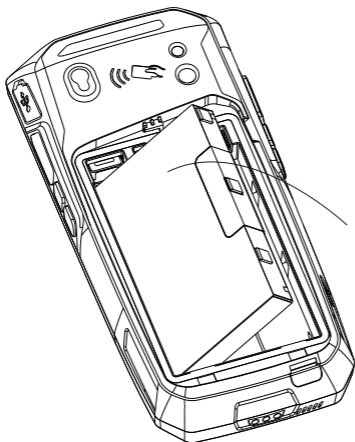


REMOVABLE BATTERY

1. First lift the strap on the battery;

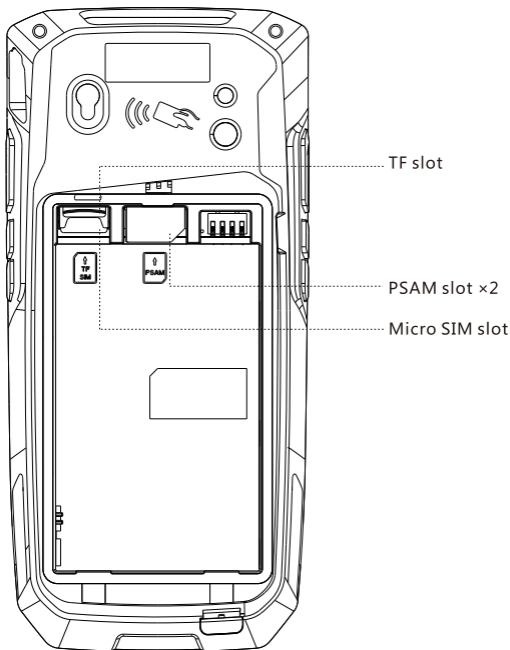


2. then pull the battery belt to take the battery off on 45 ° obliquely upward.



INSTALL TF/SIM CARD

1. Pls insert the SIM card into the corresponding slots as shown in the figure below

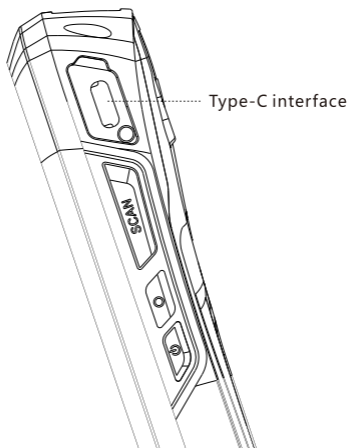


(Pls note: The handheld terminal is only support Micro SIM card, standard SIM card slot is for PSAM card)

EQUIPMENT CHARGING

DEVICE CHARGING:

1. Pull out the waterproof USB plug on the right side with the Type-C USB cable that comes with the device. Insert the Type-C USB cable.



SCAN (OPTIONAL)

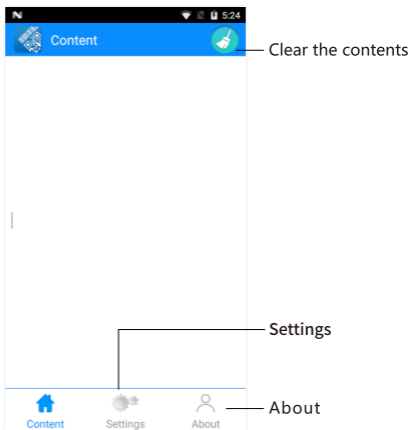
IF YOUR PDA WITH SCAN FUNCTION, PLS OPERATE AS BELOW:

1:Pls find the “scanner” app, and open it.(As Pic 1)

2: In the interface of scan, press scan button to scan the barcode.



(As Pic 1)



(As Pic 1)



NFC (OPTIONAL)

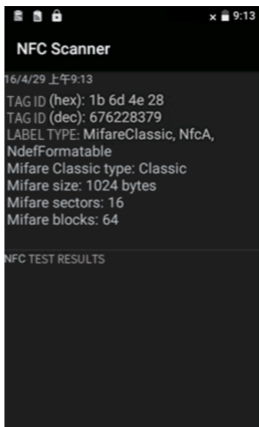
IF YOUR PDA WITH NFC FUNCTION, PLS OPERATE AS BELOW:

1:Pls find the “NFC” app, and open it.(As Pic 1)

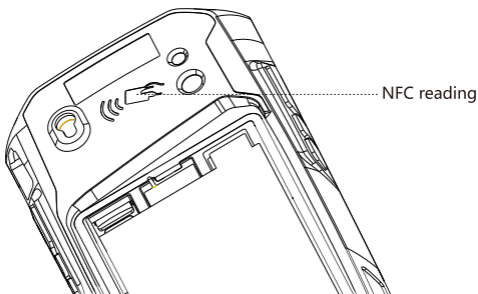
2: In the interface of NFC, pls read the card by NFC reading area.



(As Pic 1)



(As Pic 2)

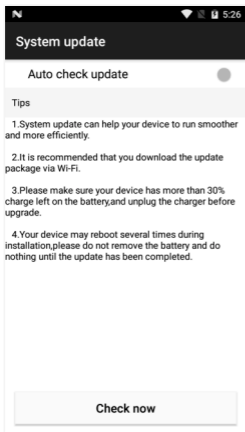


(Pls note: NFC function is optional function, before use this function, you should make sure your PDA with NFC function)

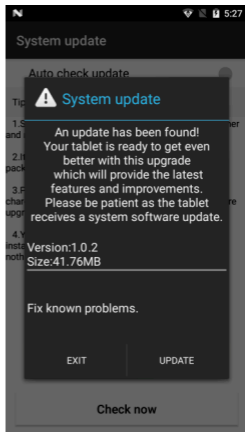
OTA(UPDATE ONLINE)

OUR PDA SUPPORT OTA (UPDATE ONLINE) FUNCTION, YOU CAN UPDATE THE LATEST FIRMWARE BY OTA, OPERATE IT AS BELOW:

- 1:Pls enter into” Settings” —About phone.
- 2: Press “System update” and enter into the updating firmware interface.
- 3: Press “Check now “to update the OS.



(As Pic 1)



(As Pic 2)

FAQ:

1: Why can not open the PDA?

(1) Pressing the power button need about 4s, so pls press the power button until the screen showing contents.

(2) Pls check the if the battery have power, put the battery to PDA and charge it, if the screen shows charging icon, charge the PDA for some time and restart it.

2: PDA can not connect to PC?

If you connect the PDA with your PC, no prompt messages, pls change another cable to test, if not work, pls change another PC.

3:When use scanner, there is no data but scan-light on, why?

1: Go to scan setting, and check “keyboard output”

2: If checked, then pls reset the scan demo for twice, and operate “ off” – “ON” .

4: How to use the battery correctly?

The battery is Li-ion battery, if no power, pls immediately charge it. Don't keep the battery with full power or no power for long time. The best way is keep 50% power of the battery to store it. And if you don't use the PDA for long time, pls pull out the battery from PDA and store it.

FCC Caution:

Any changes or modifications not expressly approved by the party responsible for compliance could void the user's authority to operate this equipment.

This device complies with Part 15 of the FCC Rules. Operation is subject to the following two conditions:

- (1) This device may not cause harmful interference, and
- (2) this device must accept any interference received, including interference that may cause undesired operation.

This Product meets the government's requirements for exposure to radio waves. The guidelines are based on standards that were developed by independent scientific organizations through periodic and thorough evaluation of scientific studies.

The standards include a substantial safety margin designed to assure the safety of all persons regardless of age or health.

FCC RF Exposure Information and Statement the SAR limit of USA (FCC) is 1.6 W/kg averaged over one gram of tissue. Device Handheld terminal (FCC ID: 2ATVQ-T80S) has been tested against this SAR limit. SAR information on this can be viewed on-line at <http://www.fcc.gov/oet/ea/fccid/>. Please use the device FCC ID number for search.

This device was tested for typical operations 10mm from the body. To maintain compliance with FCC RF exposure requirements, 10mm separation distance should be maintained to the user's bodies

NOTE:

This equipment has been tested and found to comply with the limits for a Class B digital device, pursuant to Part 15 of the FCC Rules.

These limits are designed to provide reasonable protection against harmful interference in a residential installation. This equipment generates, uses and can radiate radio frequency energy and, if not installed and used in accordance with the instructions, may cause harmful interference to radio communications.

However, there is no guarantee that interference will not occur in a particular installation. If this equipment does cause harmful interference to radio or television reception, which can be determined by turning the equipment off and on, the user is encouraged to try to correct the interference by one or more of the following measures:

- Reorient or relocate the receiving antenna.
- Increase the separation between the equipment and receiver.
- Connect the equipment into an outlet on a circuit different from that to which the receiver is connected.
- Consult the dealer or an experienced radio/TV technician for help.