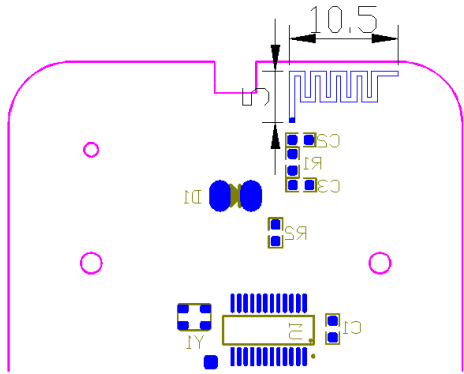


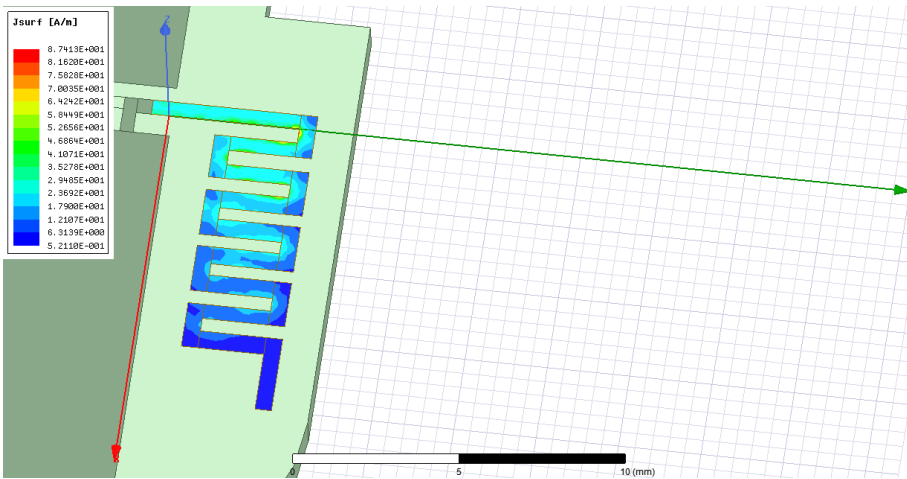
## RDX Antenna Specifications

### 1. Antenna location and size (mm) :

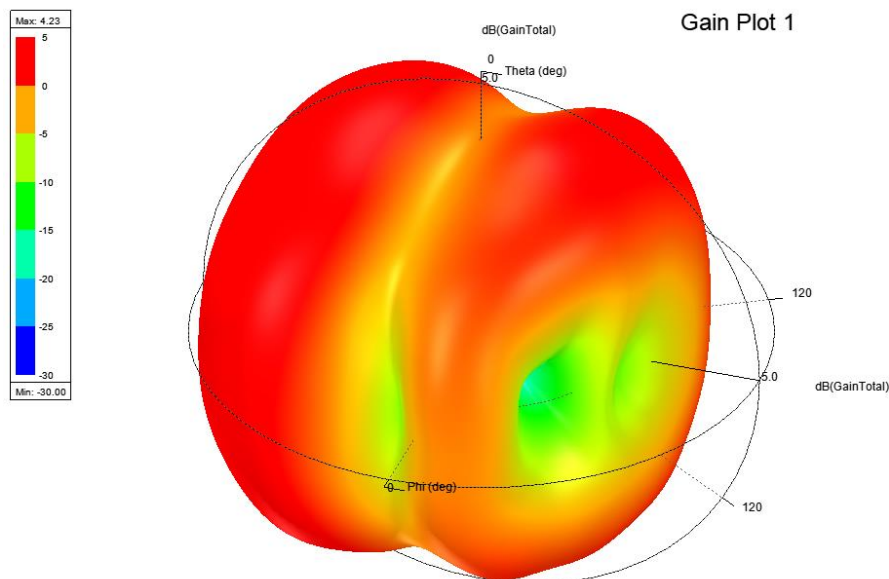


### 2. Antenna simulation Report:

#### 1) Antenna surface current distribution :

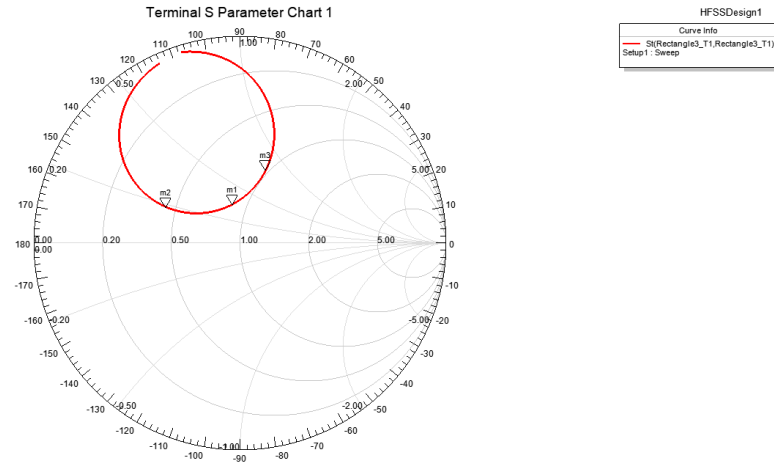


#### 2) 3D Polar plot:



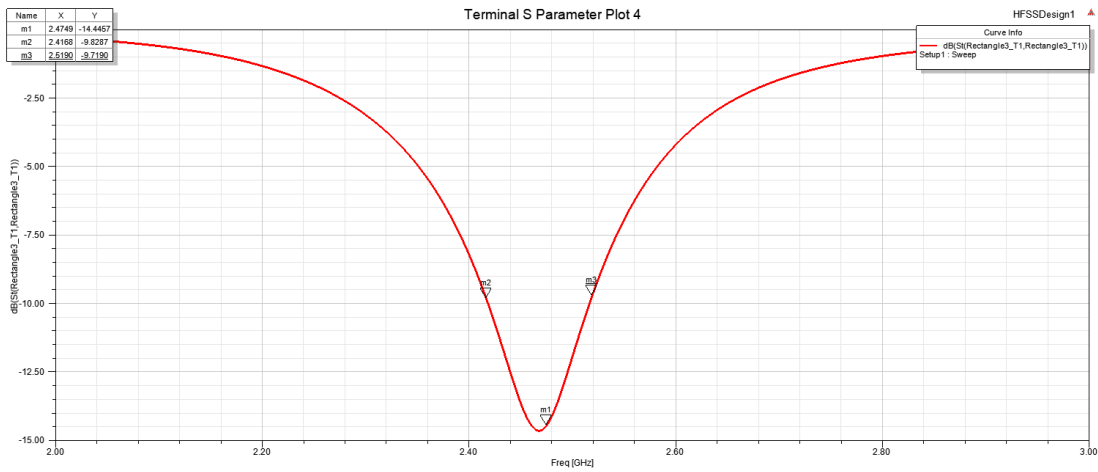
#### 3) Smithchart:

Name	Freq	Ang	Mag	Rx
m1	2.4600	100.4757	0.1915	0.8708 + 0.3404j
m2	2.5371	154.0802	0.3994	0.4475 + 0.1859j
m3	2.4028	70.3822	0.3779	0.9642 + 0.8008j



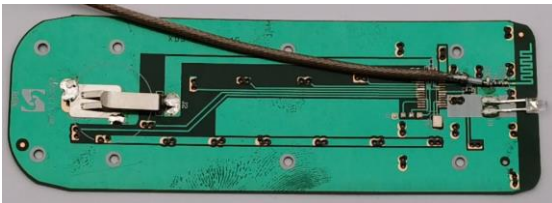
#### 4)S11:

Name	X	Y
m1	2.4749	-14.4457
m2	2.4168	-9.8287
m3	2.5190	-9.7190



### 3.Test Report:

#### 1)Appearance :



#### 2)Antenna Smithchart ,VSWR and Return Loss:



#### 4. Basic Characteristics:

A. Electrical Characteristics:	
Frequency	2400~2500 MHz
S.W.R.	$\leq 2.5$ @2400~2500 MHz
Max. Gain	2.21 dBi @2400 ~ 2500 MHz
Efficiency	40~50% @2400~2500 MHz
Polarization	Linear
Impedance	50 Ohm
B. Material & Mechanical Characteristics:	
Material of Radiator	PCB
Cable Type	NONE
Connector Type	NONE
Pull Test	/
C. Environmental:	
Operation Temperature	-20°C ~ +60°C
Storage Temperature	-40°C ~ +80°C

#### 5. Gain and Efficiency:

frequency (GHz)	2.4	2.41	2.42	2.43	2.44	2.45	2.46	2.47	2.48	2.49	2.5
efficiency (%)	48.86	55.56	57.32	61.09	63.9	64.13	66.45	67.74	67.76	66.47	71.02
Gain (dBi)	1.86	2.00	1.98	2.00	2.00	2.2	2.00	1.98	2.00	1.99	2.21