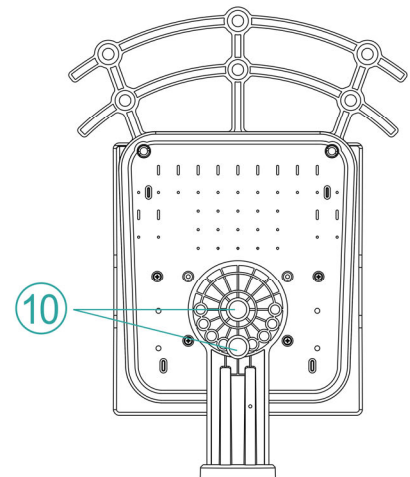
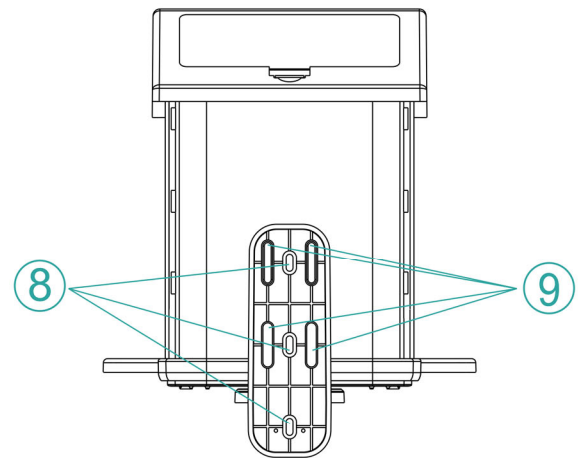
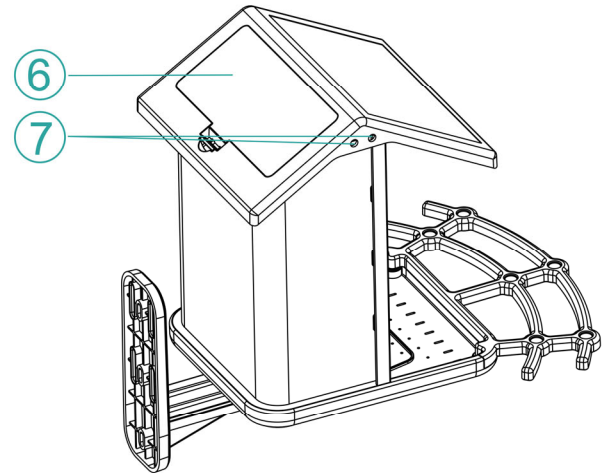
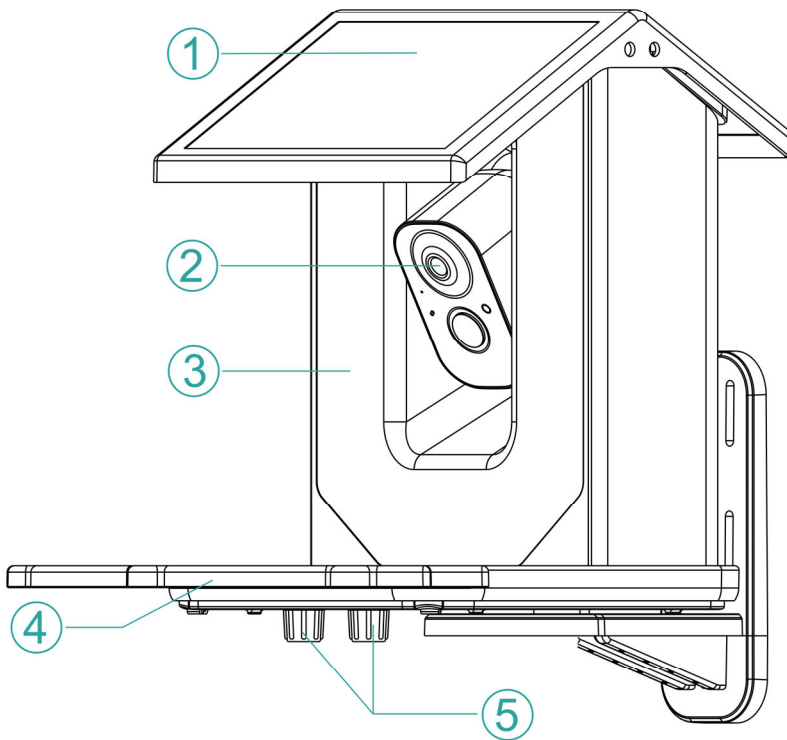


Smart Bird Feeder Operation Guide

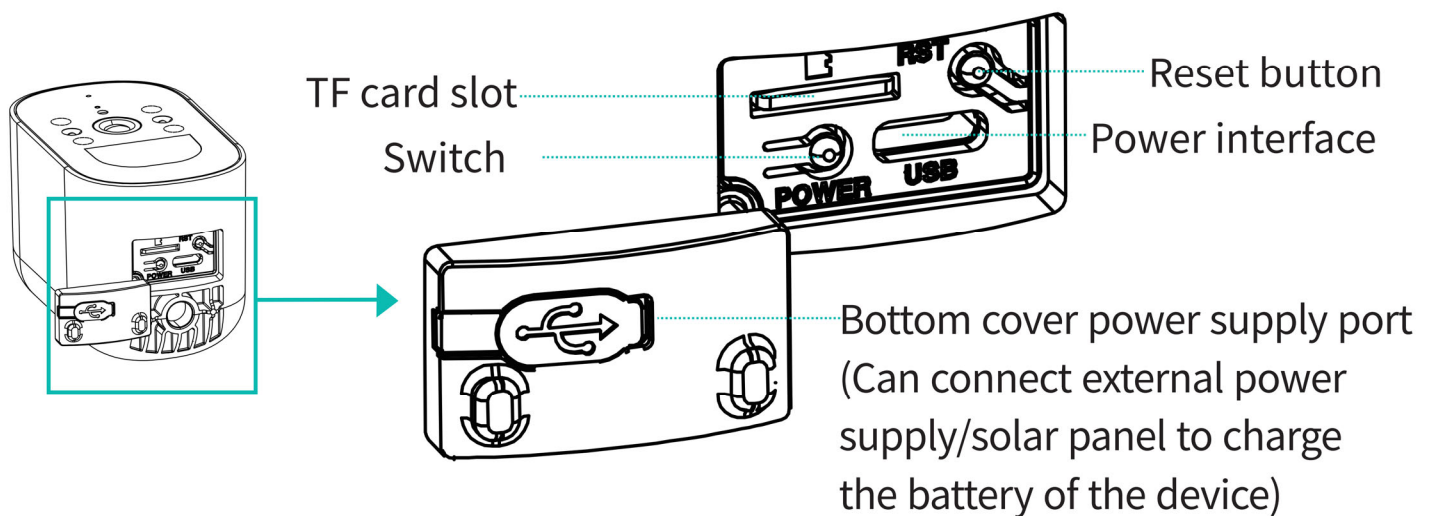
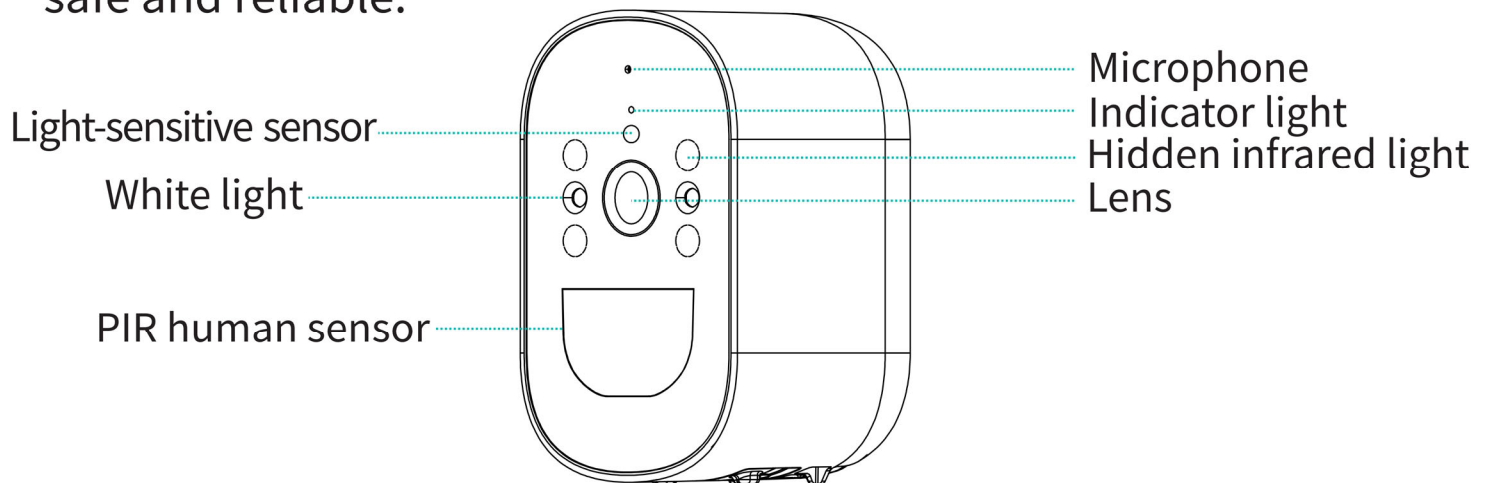
Camera Structure



- ① Solar Panel
- ② Bird Feeder Camera
- ③ Granary
- ④ Bird Standing Stands
- ⑤ Fastener
- ⑥ Granary Lid
- ⑦ Hook hole
- ⑧ Bracket screw holes
- ⑨ Banding holes
- ⑩ Screw holes

Appearance of the device

Install or remove the Micro SD card, please turn off the device power before proceeding. It is recommended to use cloud storage, alarm recording cloud storage, real-time push alarm short video, safe and reliable.



- Power key: long press for 3-4 seconds to turn on/off the device, you will hear a tone
- The blue light is always on: the device has been awakened and is working normally
- Blue light flashes quickly: waiting for network configuration
- Reset button: long press for 5-10 seconds to restore the device to factory settings
- Slow flashing blue light: The device is being accessed by the client
- Light off: the device is in low-power standby/not started

Quick configuration

Step 1 Download app and Register an account

- ① Scan the QR code to download Tris Home or search Tris Home in mobile application market to download.
- ② Run Tris Home, register an account and login(Support third-party account.)



Tris Home

Step 2 Configure and add device

- ① Click "+" in the middle of the APP interface or "+" in the upper right corner to add device as shown in Figure 1, select bird feeder as shown in Figure 2.

NOTE:If you are using a dual-band router, please connect your phone to WIFI on the 2.4G band when configuring the network for your device

Figure 1

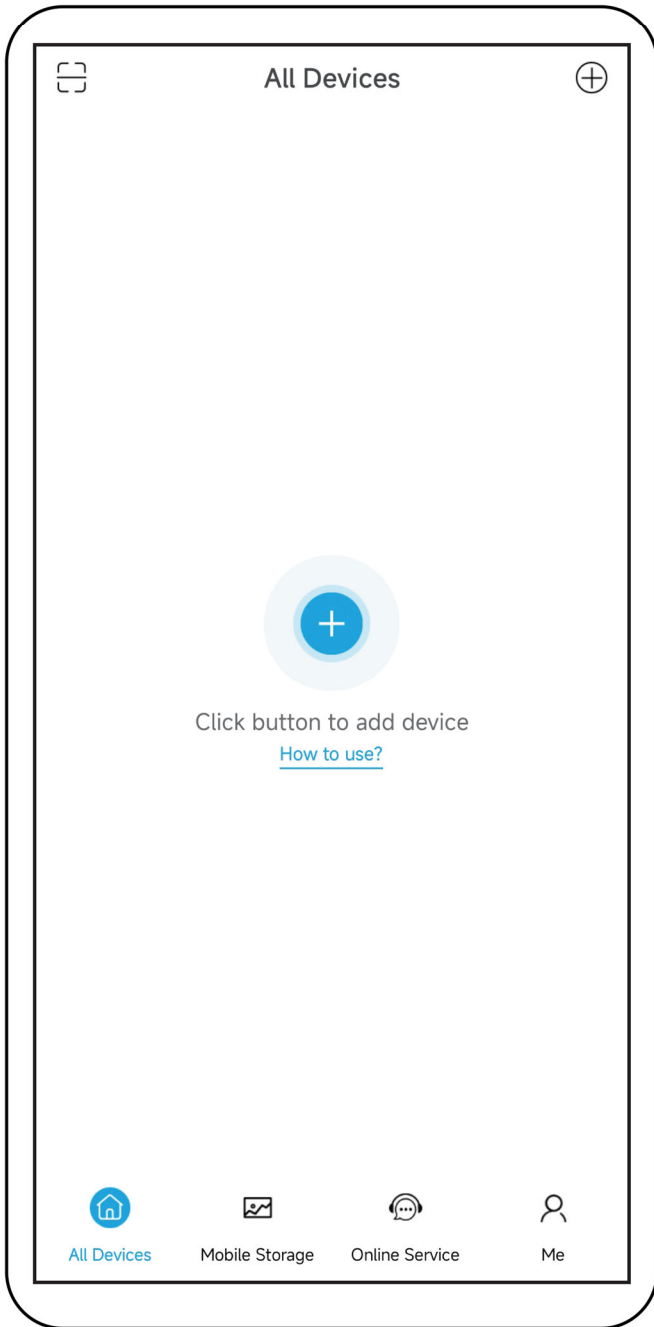
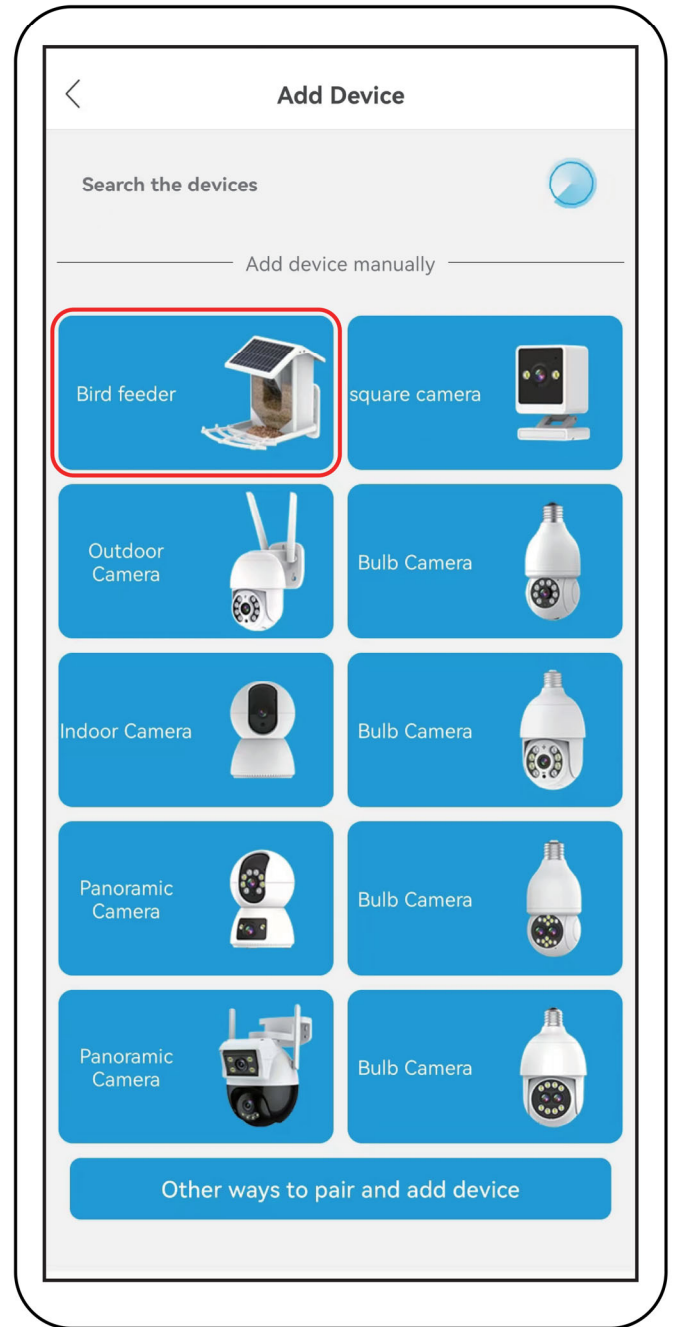


Figure 2



② Long press the power button at the button for 3~4 seconds until hear a tone, then the blue light will flash.

NOTE: If you don't hear a tone and the indicator doesn't light up, please charge your device first

③If the blue indicator light is not flashing quickly, please try to long press the reset button at the bottom for 5-10 seconds to restore the device to default as shown in Figure 3. Follow the interface guide to connect the solar panel, enter the wifi password to configure the network as shown in Figure 4.

Figure 3

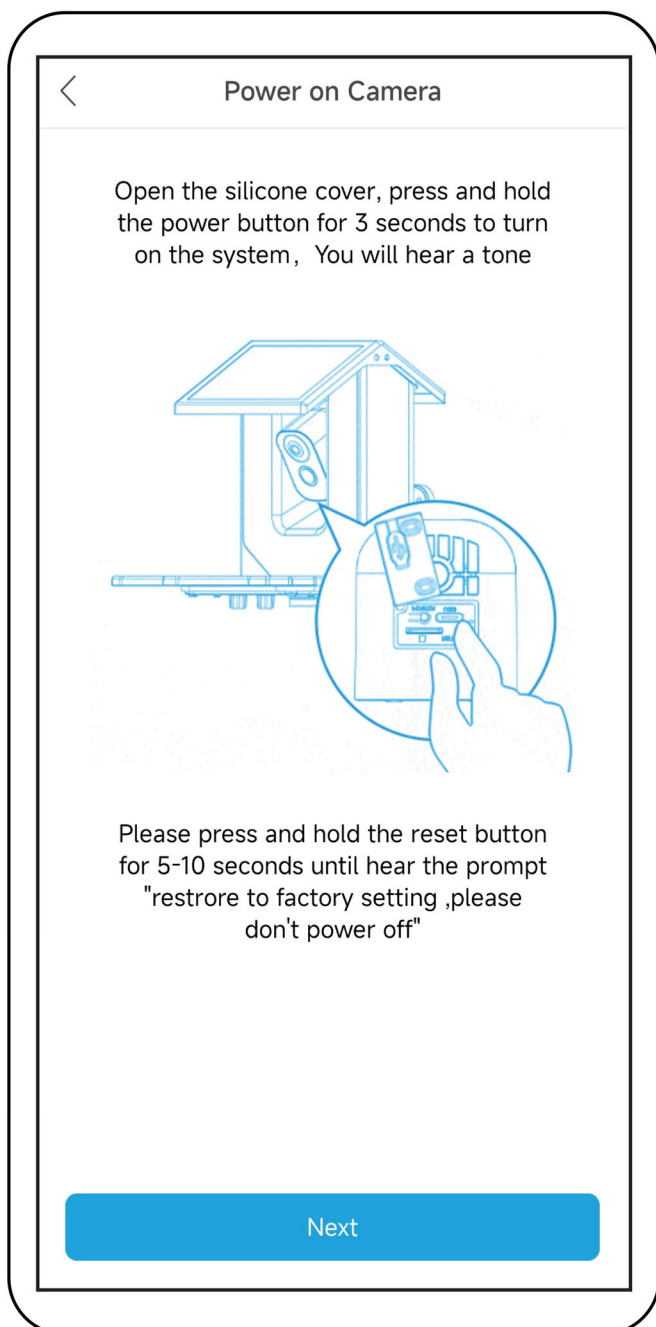
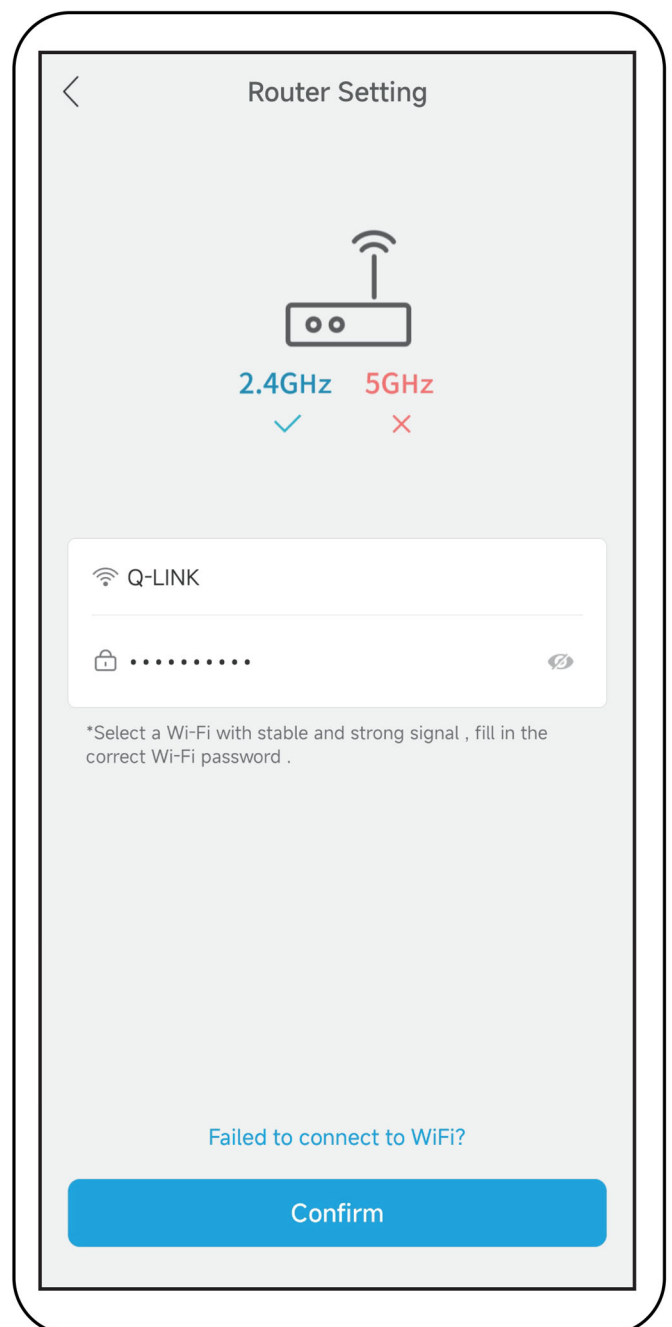


Figure 4



④ Your phone will generate a QR code, place the QR code in front of the camera about 25-35cm (about 1 ft) as shown in Figure 5, wait for the configuration to complete as shown in Figure 6.

Figure 5

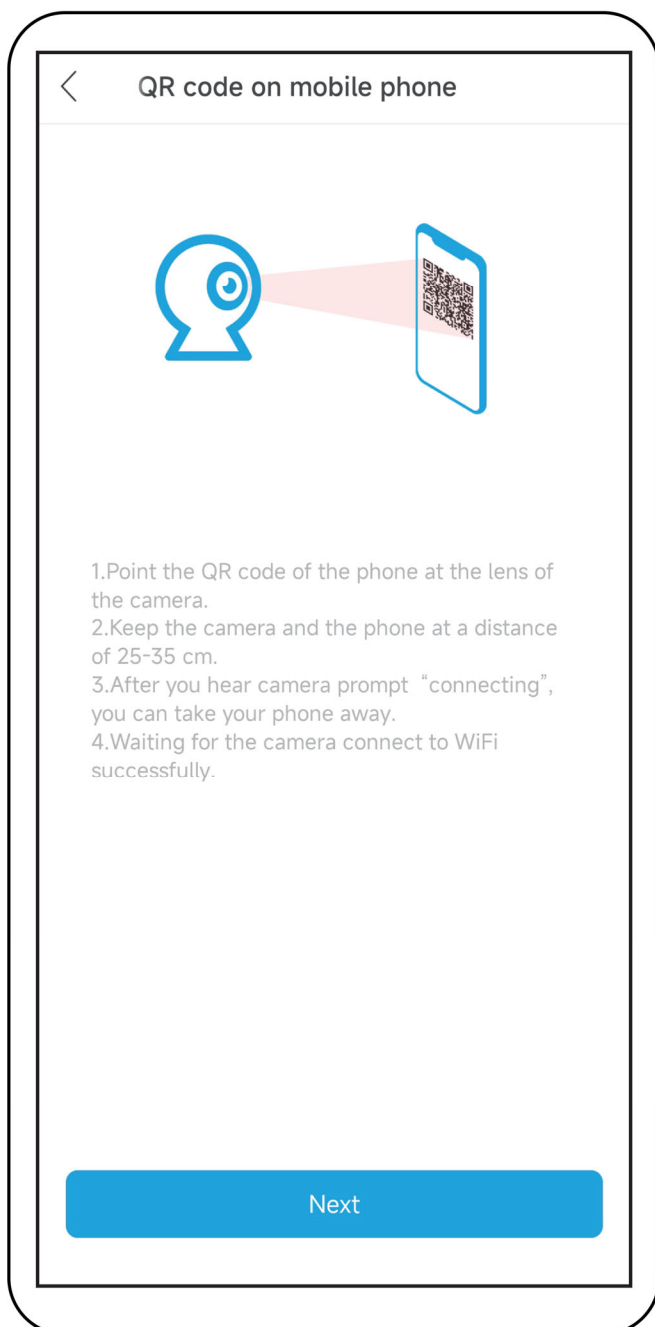


Figure 6

