

# QUICK START GUIDE

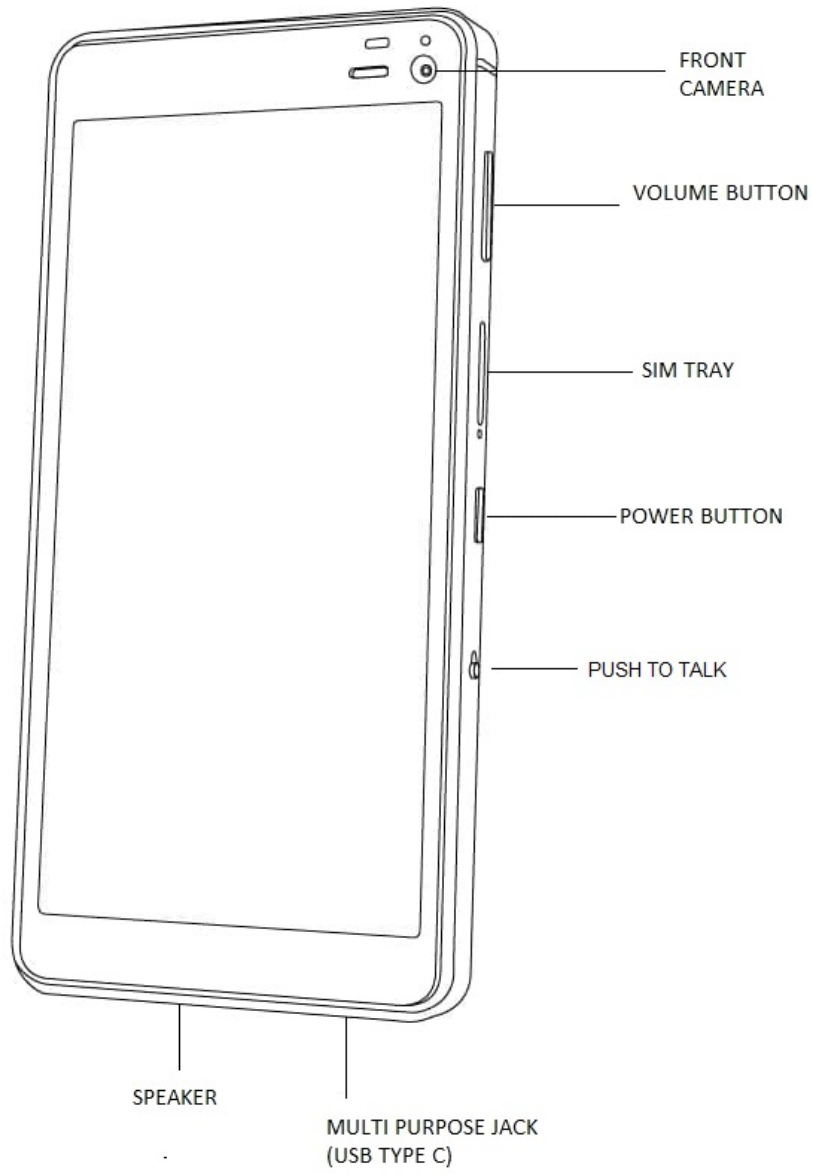


**Please read before using your new device.**

XPLORE X7

## **Device Layout**

To turn on the device, press and hold the power key for a few seconds.



FRONT  
CAMERA

VOLUME BUTTON

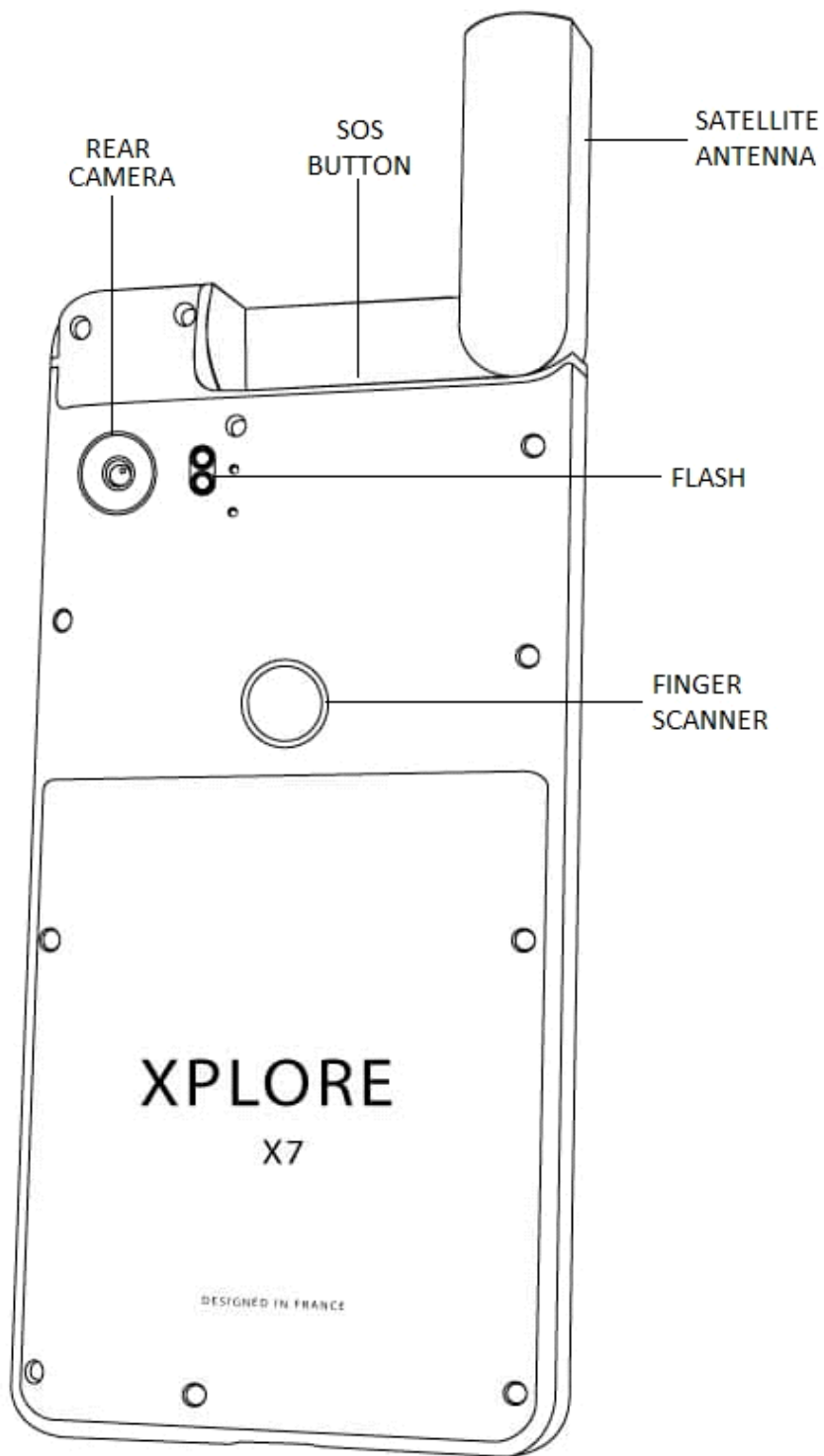
SIM TRAY

POWER BUTTON

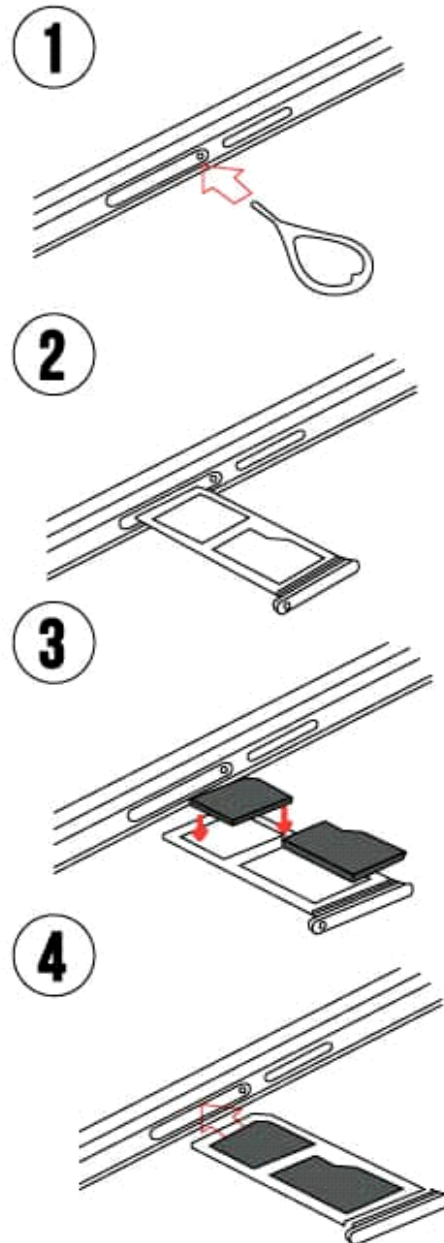
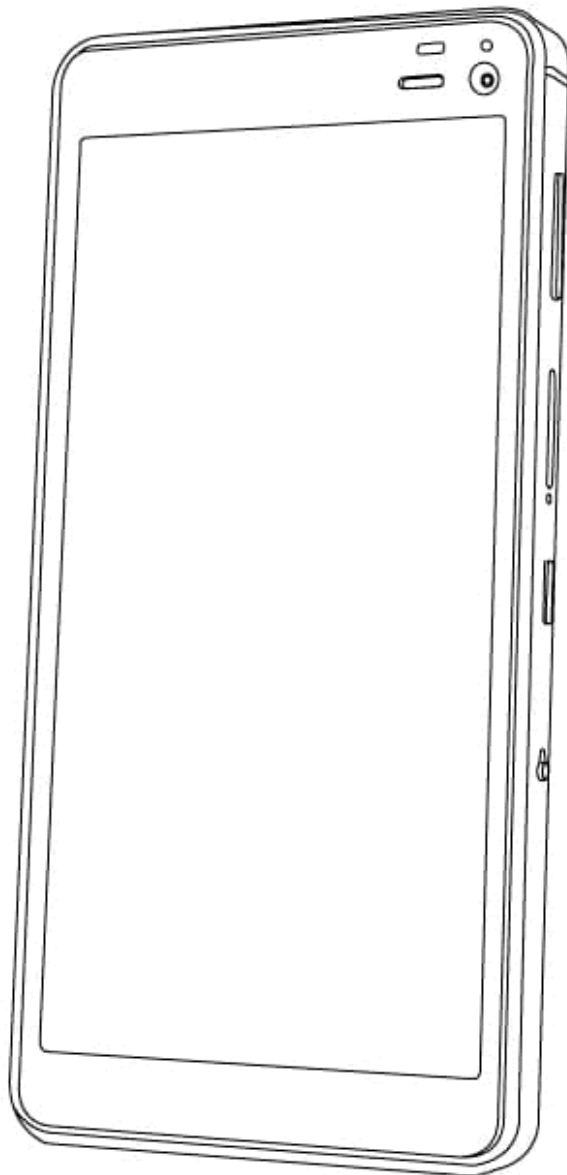
PUSH TO TALK

SPEAKER

MULTI PURPOSE JACK  
(USB TYPE C)



# Installing one or two NANO-SIM card(s)



**WARNING:** your device only accepts NANO SIM cards.

**Do not attempt to insert Micro SIM card in the tray, it will damage the device and void the warranty.**

Steps:

- Insert the ejection pin into the hole on the tray to loosen the tray. Then slide the tray out carefully.

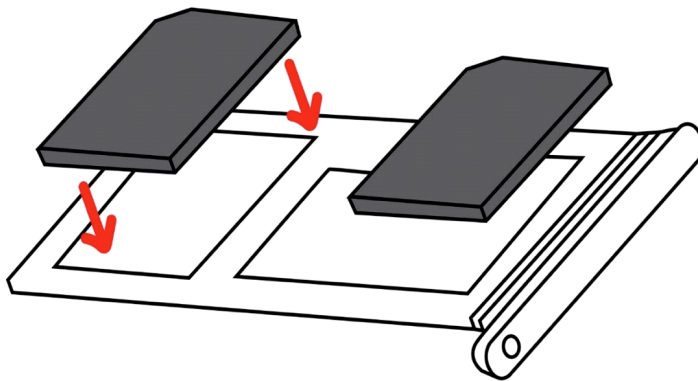
**CAUTION:** Ensure that the ejection pin is perpendicular to the hole. Otherwise, the device may be damaged.

- Pull the tray out carefully.

**CAUTION:** Ensure the tray remains perpendicular to the hole while you pull it out.

- Gently press the NANO SIM card into the tray to secure it, with gold contacts facing down.

**CAUTION:** If the card is not fixed firmly into the tray the card may leave or fall out of the tray.



- Insert the tray back in the device carefully.

**CAUTION: Ensure that the tray is inserted in the opening and remains perpendicular to the hole during insertion. Otherwise, the tray or device may be damaged.**

- Push the tray in completely.

# Installing one Micro SD card

**WARNING:** your device only accepts one MICRO SD in the slot next to the outside tray door.

Steps:

- Insert the ejection pin into the hole on the tray to loosen the tray.

**CAUTION:** Ensure that the ejection pin is perpendicular to the hole. Otherwise, the device may be damaged.

- Pull the tray out carefully.

**CAUTION:** Ensure the tray remains perpendicular to the hole while you pull it out.

- Gently press the Micro SD card into the larger slot on the tray to secure it, with gold contacts facing down.

**CAUTION:** If the card is not fixed firmly into the tray the card may leave or fall out of the tray.

- Insert the tray back in the device carefully.

**CAUTION:** Ensure that the tray is inserted in the opening and remains perpendicular to the hole during insertion. Otherwise, the tray or device may be damaged.

- Push the tray in completely.



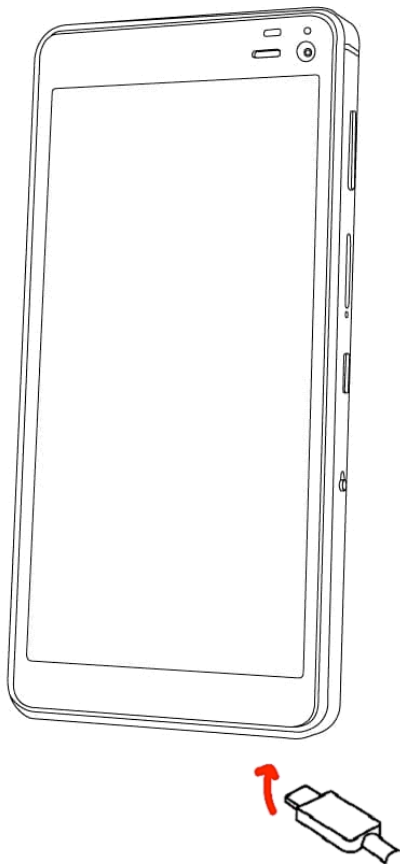
# Charging the Battery

**WARNING:** your device uses the new USB type C reversible plug. You should only use the USB cable provided with your device.

**Do not attempt to connect any other type of micro USB plug in the device. It will break the connector and void the warranty.**

Before you turn on your device for the first time, it is recommended that you charge the battery.

- Insert the small end of the USB cable into the USB connector
- Insert the other end of the USB cable into the power adapter
- Plug the power adapter to an electrical outlet to start charging.



## **Removing the Battery**

Battery is not user replaceable. Please refer to your local dealer for assistance.

Manufacturer does not accept liability for any damage or loss which may arise from failure to precisely follow these warnings and instructions.

## **Restart your phone in event of error**

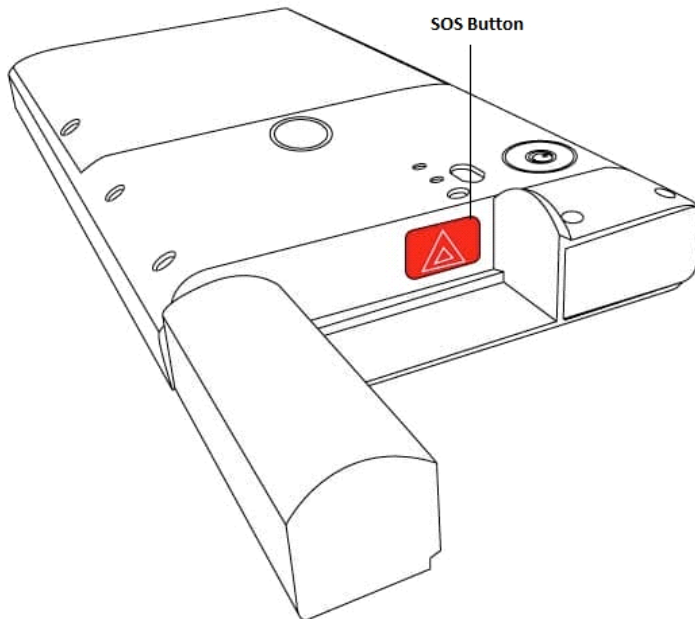
In the event that Android or any application software makes your phone crash or stop work, you can reset and restart your phone as follows:

**RESTART PHONE: press Power key and then Volume down (-) key together for about 10 seconds until the phone vibrates. The device will then restart.**

**If the initial start screen does not change after 10 seconds, you may need to do again the restart process above.**

# Emergency SOS Button

In case of emergency press and hold the SOS red button under the antenna that will trigger an interactive communication to GEOS, an international search and rescue organization that will monitor your status during your emergency. Rest assured help is quickly on the way.



## Maintaining water and dust resistance

Your device offers protection against dust and water. However, the device may be damaged if water or dust enters the device. Follow these tips carefully to prevent damage to the device and to maintain the water and dust resistant performance of the device.

- Ensure the SIM card tray is fully closed at all time.
- Do not immerse the device in water.
- Do not expose the device to water moving with force.
- If the device is exposed to clean water, dry it thoroughly with a clean soft cloth. If the device is exposed to other liquids such as salt water, ionized water or alcoholic beverage, rinse it with clean water and dry it thoroughly with a clean soft cloth. If you do not follow these instructions the device performance and appearance may be affected.
- If the device has been immersed in water or the microphone or speaker is wet, sound may not be heard clearly during a call. Wipe the device with a dry cloth or dry it thoroughly before using it.

**WARNING: your device has been tested in a controlled environment and certified to be water and dust resistant in specific situations (meets requirements of classification IP55 as described by the international standard IEC 60529 Degrees of protection provided by Enclosures [IP Code]. Despite this classification, it is still possible for your device to be damaged in certain situations.**

# Specific Absorption Rate (SAR)

## Certification information

THIS DEVICE MEETS INTERNATIONAL GUIDELINES FOR EXPOSURE TO RADIO WAVES

Your mobile is designed not to exceed the limits of exposure to radio waves recommended by international guidelines. The guidelines were developed by an independent scientific organization (ICNIRP) and include a substantial safety margin designed to assure the safety of all



persons, regardless of age and health.

# Safety information

Read all safety information before using the device to ensure safe and proper use.



## Warning

**Follow the warning information provided below to prevent incidents such as fire or explosion**

- Do not expose the device to physical impact or damage.
- Use manufacturer approved batteries, chargers, accessories and supplies.
- Prevent the multipurpose jack and battery terminals from contacting conductive elements, such as metal or liquids.
- Do not touch the charger or the device with wet hands while the device is charging.
- If any part of the device is cracked or broken, stop using the device immediately and take it to our authorized dealer.
- Do not turn on or use the device when the battery compartment is exposed.
- Do not allow children or animals to chew or suck the device.
- Do not poke eyes, ears or other body parts with the device or insert the device into the mouth.
- Do not use camera flash or light close to the eyes of people or animals.

- Do not store your device near or in heaters, microwaves, cooking equipment or high pressure containers.
- Keep your device dry.
- Comply with all safety warnings and regulations regarding mobile device usage while operating the vehicle.



To prevent hearing damage when using a headset, do not listen to sound at high volume for long periods.

# Regulatory Certifications

Your XPLORE X7 is fully certified to operate in most countries, including the EU (CE certified), North America (FCC Certified), and other countries. To see the list of certifications available with your device, go to:

Settings / About Phone / Regulatory Information



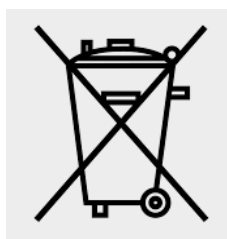


## Correct disposal

The marking on the product, accessories or literature indicates that the product and its electronic accessories (e.g. charger, headset, USB cable) should not be disposed of with other household waste.



This product is RoHS compliant.



The marking on the battery, manual or packaging indicates that the batteries in this product should not be disposed of with other household waste.

## Disclaimer

Some content may differ from your device depending on the region, service provider or software version and is subject to change without prior notice.

**FCC Statement**

This equipment has been tested and found to comply with the limits for a Class B digital device, pursuant to part 15 of the FCC Rules. These limits are designed to provide reasonable protection against harmful interference in a residential installation. This equipment generates, uses and can radiate radio frequency energy and, if not installed and used in accordance with the instructions, may cause harmful interference to radio communications. However, there is no guarantee that interference will not occur in a particular installation. If this equipment does cause harmful interference to radio or television reception, which can be determined by turning the equipment off and on, the user is encouraged to try to correct the interference by one or more of the following measures:

- Reorient or relocate the receiving antenna.
- Increase the separation between the equipment and receiver.
- Connect the equipment into an outlet on a circuit different from that to which the receiver is connected.
- Consult the dealer or an experienced radio/TV technician for help.

Caution: Any changes or modifications to this device not explicitly approved by manufacturer could void your authority to operate this equipment.

This device complies with part 15 of the FCC Rules. Operation is subject to the following two conditions: (1) This device may not cause harmful interference, and (2) this device must accept any interference received, including interference that may cause undesired operation.

**Specific Absorption Rate (SAR) information:**

This 4G SMARTPHONE meets the government's requirements for exposure to radio waves. The guidelines are based on standards that were developed by independent scientific organizations through periodic and thorough evaluation of scientific studies. The standards include a substantial safety margin designed to assure the safety of all persons regardless of age or health. FCC RF Exposure Information and Statement the SAR limit of USA (FCC) is 1.6 W/kg averaged over one gram of tissue. Device types: 4G SMARTPHONE has also been tested against this SAR limit. This device was tested for typical body-worn operations with the back of the phone kept 10mm from the body. To maintain compliance with FCC RF exposure requirements, use accessories that maintain an 10mm separation distance between the user's body and the back of the 4G SMARTPHONE. The use of belt clips, holsters and similar accessories should not contain metallic components in its assembly. The use of accessories that do not satisfy these requirements may not comply with FCC RF exposure requirements, and should be avoided.